

Spare parts list 4-row mounted potato planter UP3742

UH124415



**Spare parts list
4-row mounted
potato planter
UP3742**

**Reservedelsliste
4-rads 3 pkt
potetsetter
UP3742**

Valid from serial no./Gyldig fra serienr.: 37420001-->

Please note the following when ordering spare parts:

It should always be referred to serial number. This is found on the identification plate.

The spare part number and description should be used.

The reference number is used only to help identifying the spare part on the illustration.

Ved bestilling av deler må en merke seg følgende:

Oppgi alltid serienummer. Dette står på identifikasjonsskiltet.

Oppgi delenummer og benevnelse.

Referansenummeret brukes bare for å sammenholde deletegning og betegnelse i lista og skal derfor ikke oppgis.

Supplied by:



Innhold	Content	Side/Page
RAMME	FRAME	6
SETTEENHET	PLANTING UNIT	8
TOPPAKSEL	TOP SHAFT	12
TOPPDRIFT - MEKANISK	TOP SHAFT DRIVE - MECHANICAL	14
TOPPDRIFT HYDRAULISK	TOP SHAFT DRIVE - HYDRAULIC	16
GEARKASSEDRIFT	GEAR BOX DRIVE	18
HYDRAULISK DRIFT	HYDRAULIC DRIVE	20
MEKANISK DRIFT	MECHANICAL DRIVE	22
HJULDRIFT	WHEEL DRIVE	24
KOPPEBELTE	CUP BELT	26
SKAKING	AGITATION	28
STRUPEPLATER	CHOKE PLATES	30
SKAKESTILLER - BELTESKAKER	AGITATOR ADJUSTER	32
HJULOPPHENG	WHEEL SUSPENSION	34
BREDDETILPASNINGSDELER	WIDTH ADJUSTMENT PARTS	36
VIPPETANK	HOPPER	38
FRONT TANK	FRONT HOPPER	40
SETTESKJÆR	FURROW OPENER	44
SETTESKJÆR HD	FURROW OPENER HD	46
SETTESKJÆR FLYTENDE	FURROW OPENER - FLOATING	48
DYBDEHJUL	DEPTHWHEEL	50
RULLESKJÆRENHET	COVERING DISK ROW UNIT	52
HYDRAULISK OPPLEGG	HYDRAULIC EQUIPMENT	56
HYDR. OPPLEGG DYBDEKONTR.	DEPTH CONTROL	58
EL. STYRING	EL. CONTROL	60
EL. DYBDEKONTROLL	EL. DEPTHCONTROL	62
BELTESTOPPER	INTERMEDIATE DRIVE SHAFT	64
SETTEKONTROLL	EL. PLANTING MONITOR	66
STRØMFORSY. /MOTORKONTROLL	POWERSUPPLY - MOTOR CONTROL	68
SKJERMER	GUARDS	70
MARKØR	MARKER	72
TOPPAKSEL M/FRIKOPLING	TOP SHAFT W/CLUTCH	76
EL. UTSTYR SPRØYTESPOR	EL. UTSTYR TRAMLINING SYSTEM	78
LS-KIT	LS-KIT	80

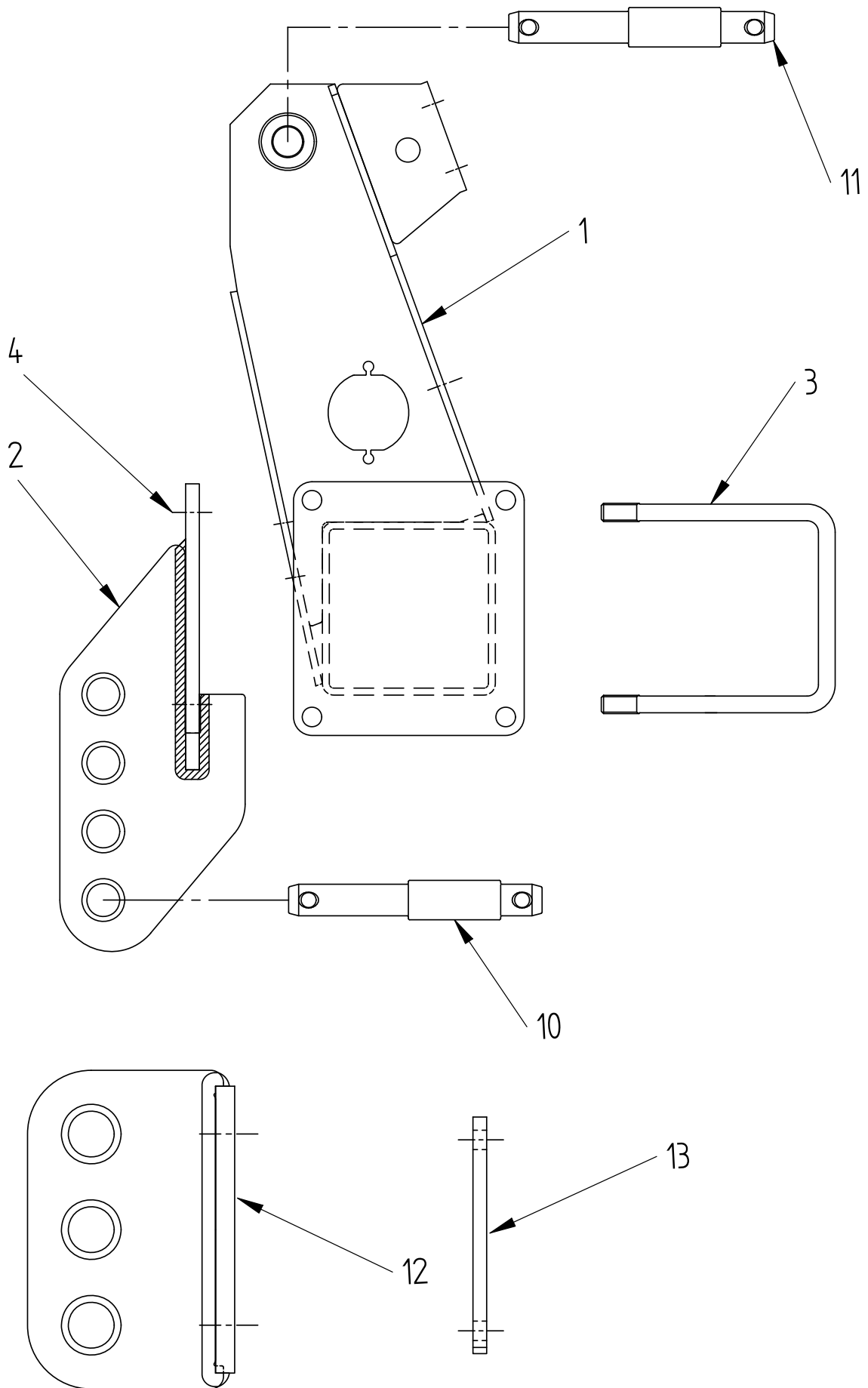


Fig. 1

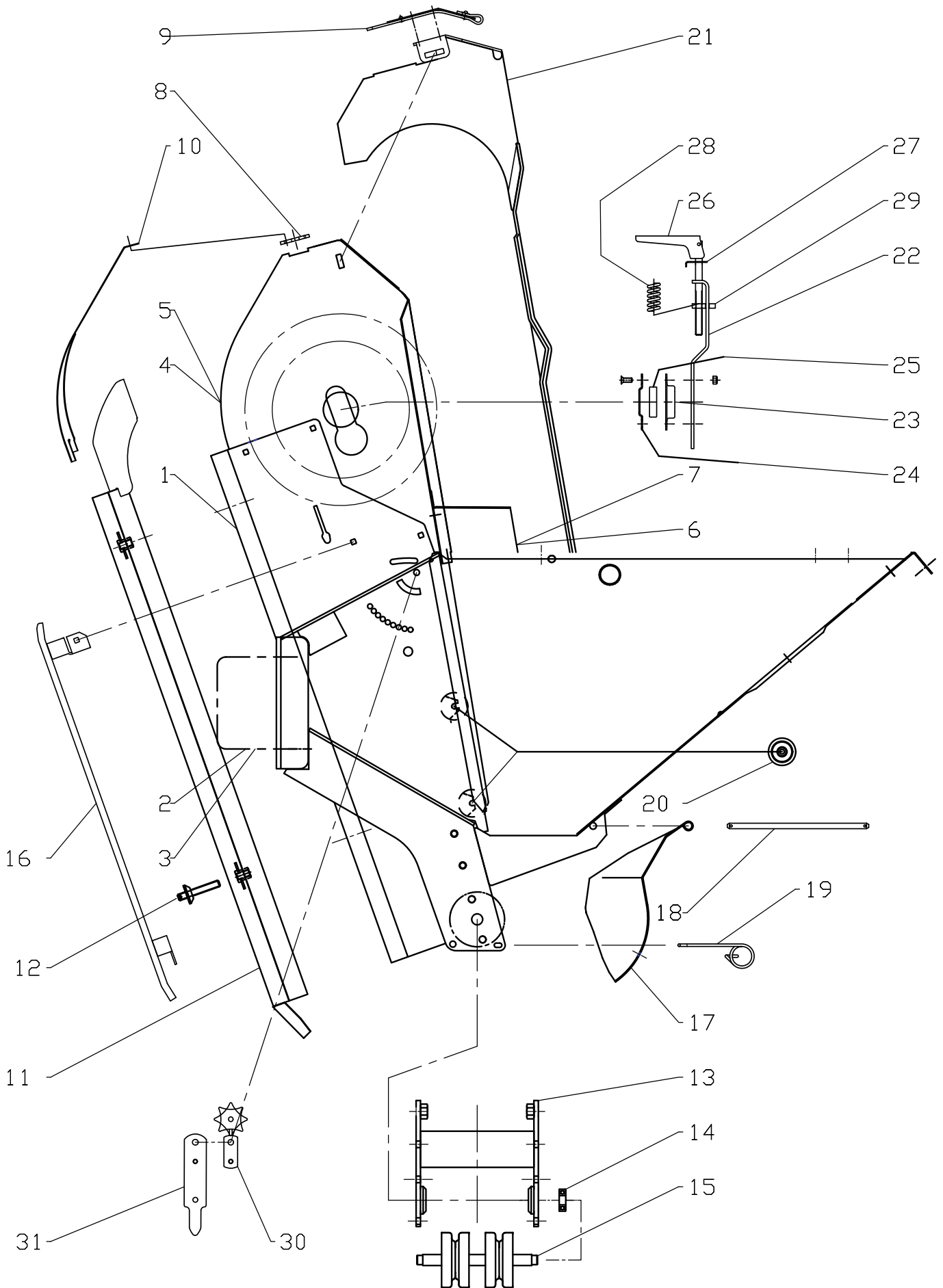
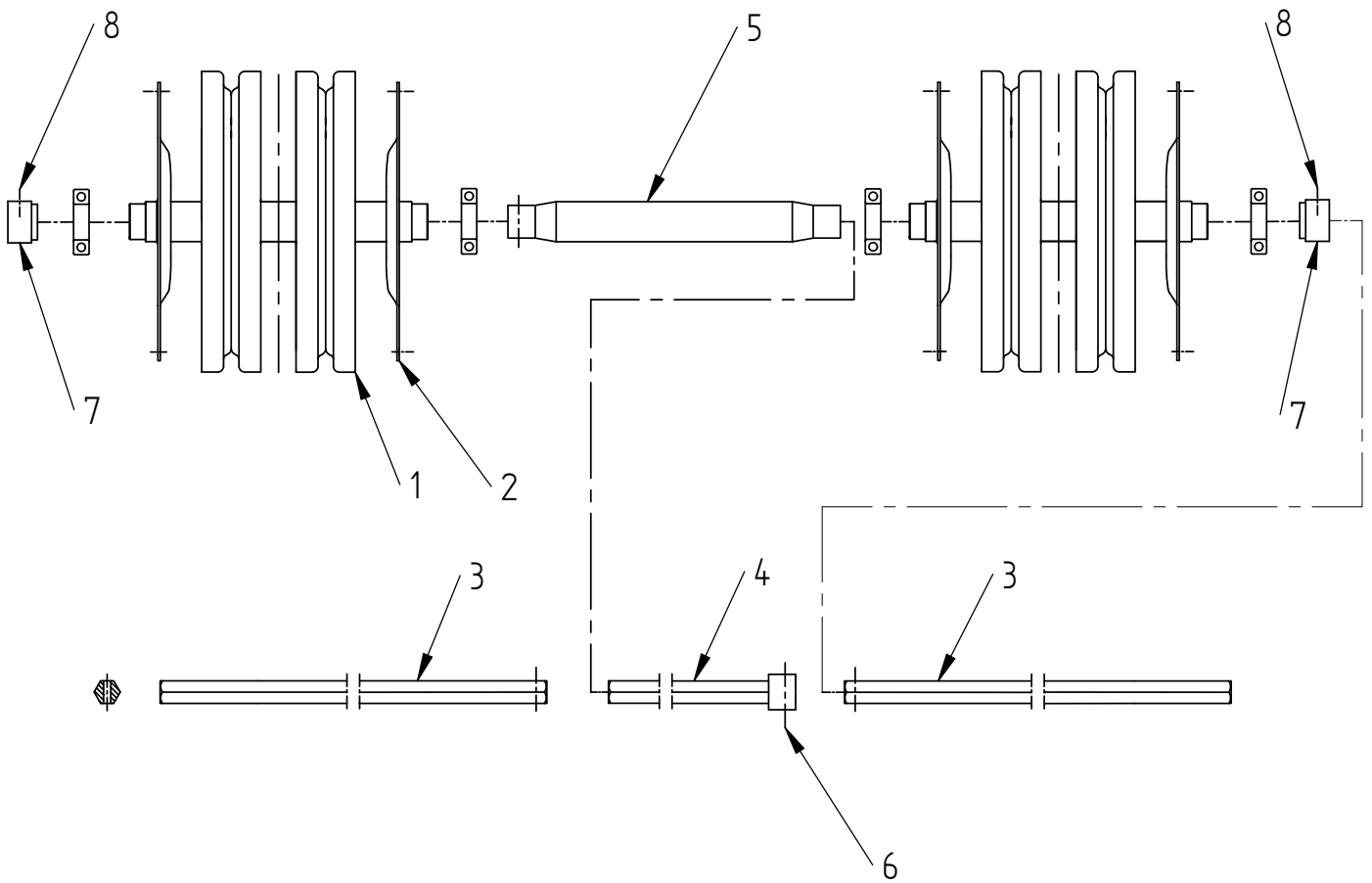


Fig. 2

Utgave: Issue:		Redskap: Implement:			
1		POTETSETTER UP3742 POTATO PLANTER UP3742			
Dato: Date:		Enhet: Unit:		Fig: 2	
06-08		SETTEENHET PLANTING UNIT			
Ref. No.	Delenr. Part nr.	Ant. Qty.	Gjenstand:	Description:	Anmerkning: Note:
1	UH210015	2	SETTEENHET	PLANTING UNIT 3700	
2	UH210045	4	KLAVE M16 4.KT. 150X136	U-BOLT M16	
3	UH210048	4	LASK 50X12	CLAMP 50X12	
4	UH210032	2	SIDEPLATE V.	SIDE PLATE LH	
5	UH210033	2	SIDEPLATE H.	SIDE PLATE RH	
	UH821416		LÅSESKRUE M8X16-4.6	CARRIAGE BOLT M8X16	
	UH860158		BRIKKE Ø8.4-Ø17X1.6	WASHER D8.4-D17X1.6	
	UH852158		NYLOCKMUTTER M8	NYLOCK NUT M8	
6	UH210036	2	KASSEHJØRNE V.	BOX CORNER LH	
7	UH210037	2	KASSEHJØRNE H.	BOX CORNER RH	
	UH821416		LÅSESKRUE M8X16-4.6	CARRIAGE BOLT M8X16	
	UH821420		LÅSESKRUE M8X20-4.6	CARRIAGE BOLT M8X20	
	UH860158		BRIKKE Ø8.4-Ø17X1.6	WASHER D8.4-D17X1.6	
	UH852158		NYLOCKMUTTER M8	NYLOCK NUT M8	
8	UH210150	2	STRAMMEÅK	YOKE	
9	UH210152	4	INNØPSKJERM	INNLET GUIDE ASSY	
	UH821420		LÅSESKRUE M8X20-4.6	CARRIAGE BOLT M8X20	
	UH860158		BRIKKE Ø8.4-Ø17X1.6	WASHER Ø8.4-Ø17X1.6	
	UH852158		NYLOCKMUTTER M8	NYLOCK NUT M8	
10	UH210027-K	4	LEDEGRIND	GUIDE GRILL	
	UH821416		LÅSESKRUE M8X16-4.6	CARRIAGE BOLT M8X16-4.6	
	UH860158		BRIKKE Ø8.4-Ø17X1.6	WASHER D8.4-D17X1.6	
	UH852158		NYLOCKMUTTER M8	NYLOCK NUT M8	
11	UH210072	2	SETTERØRSFORING 3700	PLANTING TUBE LINING 3700	
12	UH210080	4	STILLSKRUE M12X80	ADJUSTING SCREW M12X80	
	UH850162		SEKSKANTMUTTER M12-8	HEX. NUT M12-8	
13	UH210129	2	BUNNLAGER	BOTTOM BEARING 3700	
14	UH870718	4	KULELAGER 6203 2RS C3	BALL BEARING 6203 2RS C3	
15	UH210135	2	BUNNAKSEL	BOTTOM PULLEY	
16	UH210065	2	STØTTESKINNE	SUPPORT RAIL	
	UH813416		SEKSKANTSKRUE M8X16	HEX. BOLT M8X16-8.8	
	UH860158		BRIKKE Ø8.4-Ø17X1.6	WASHER D8.4-D17X1.6	
	UH852158		NYLOCKMUTTER M8	NYLOCK NUT M8	
17	UH210085	2	SLUSE	LOCK GATE 3700	
18	UH215049	2	BOLT Ø10	BOLT Ø10	
	UH867013		FJØRPINNE Ø2.5X41	SPRING PIN D2.5X41	
19	UH215026	2	SLUSEFJÆR	SPRING	
20	UH216725	4	PLATHJUL Ø50 M/BOLT	ROLLER Ø50 AND BOLT	
21	UH210160	2	BELTESKINNE 3700	BELT RAIL 3700	
	UH821420		LÅSESKRUE M8X20-4.6	CARRIAGE BOLT M8X20-4.6	
	UH860158		BRIKKE Ø8.4-Ø17X1.6	WASHER D8.4-D17X1.6	
	UH852158		NYLOCKMUTTER M8	NYLOCK NUT M8	

**Fig. 3**

3742_07

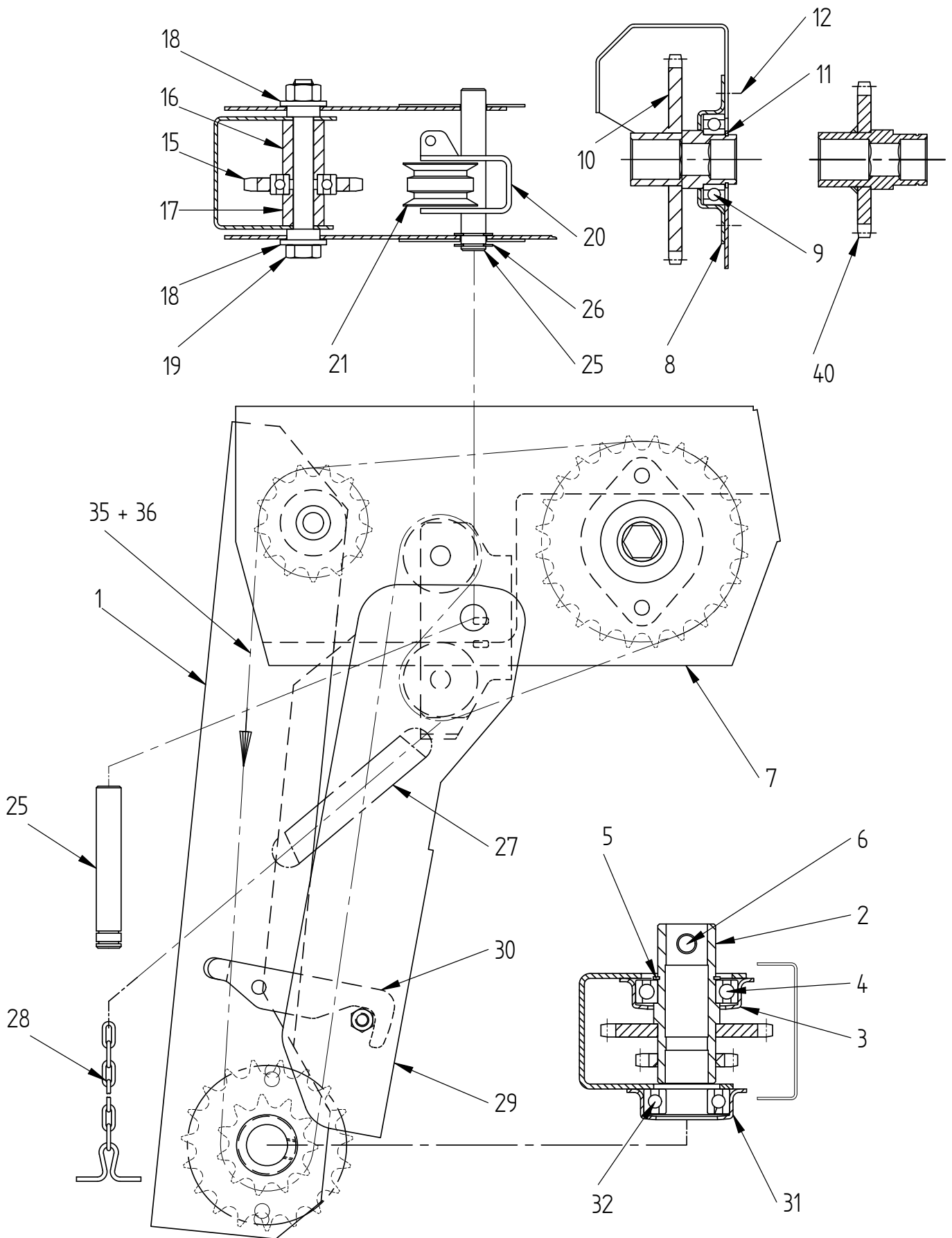


Fig. 4

3742_08

Utgave: Issue:		Redskap: Implement:			
1		POTETSETTER UP3742 POTATO PLANTER UP3742			
Dato: Date:		Enhet: Unit:		Fig: 4	
06-08		TOPPDRIFT - MEKANISK TOP SHAFT DRIVE - MECHANICAL			
Ref. No.	Delenr. Part nr.	Ant. Qty.	Gjenstand:	Description:	Anmerkning: Note:
1	UH210316	1	NEDRE KJEDESKJERM	LOWER CHAIN GUARD	
2	UH212227	1	KJEDEHJUL 5/8" 11 - 19T	SPROCKET 5/8" 11-19T	
3	UH215102	1	LAGERHUS Ø62-Ø47	BEARING HOUSING D62-D47	
4	UH870637	1	KULELAGER 6007-2RS	BALL BEARING 6007-2RS1	
5	UH868435	1	LÅSERING UTV. A35X1.5	CIRCLIP A35X1.50	
	UH813416		SEKSKANTSKRUE M8X16	HEX. BOLT M8X16	
	UH860158		BRIKKE Ø8.4-Ø17X1.6	WASHER D8.4-D17X1.6	
	UH852158		NYLOCKMUTTER M8	NYLOCK NUT M8	
6	UH831616	1	GJENGESTIFT 6KT.HOL M12X16	HEADLESS SCREW M12X16	
7	UH212226	1	ØVRE KJEDESKJERM	UPPER CHAIN GUARD	
8	UH219250	1	LAGERHUS Ø55-Ø36	BEARING HOUSING D55-D36	
9	UH870632	1	KULELAGER 6006-2RS	BALL BEARING 6006-2RS1	
10	UH215150	1	KJEDEHJUL 5/8" 24T SV.	SPROCKET 5/8" 24T	
11	UH868430	1	LÅSERING UTV. A30X1.50	CIRCLIP A30X1.50	
	UH813416		SEKSKANTSKRUE M8X16	HEX. BOLT M8X16	
	UH860158		BRIKKE Ø8.4-Ø17X1.6	WASHER D8.4-D17X1.6	
	UH852158		NYLOCKMUTTER M8	NYLOCK NUT M8	
15	UH221519	1	KJEDEHJUL 5/8" 13T.M/LAGER	SPROCKET 13T.ASSY.	
16	UH255579	1	BØSSING Ø12.4X36-Ø17/3	BUSHING D12.4X36-D17/3	
17	UH259182	1	BØSSING Ø12.4X22-Ø17/3	BUSHING D12.4X22-D12/3	
18	UH215199	2	LAGERFORING Ø12.7X9-Ø20/6	BEARING LINING D12.7XD20/6	
19	UH813700	1	SEKSKANTSKRUE M12X100	HEX. BOLT M12X100	
19	UH852162	1	NYLOCKMUTTER M12 ELZN.	NYLOCK NUT M12 GALV	
20-21	UH215517		KJEDESTRAMMER V. KOMPL.	CHAIN TENSIONER LH ASSY	
20	UH215530	1	HJULHOLDER V. SV.	WHEEL BRACKET	
21	UH222726	2	TRINSE M/LAGER	CHAIN ROLLER W/BEARING	
25	UH215257	1	STRAMMEAKSEL Ø15X98	TENSION SHAFT D15x98	
26	UH868712	2	SPORRYTTER 12	CIRCLIP E-TYPE 12	
27	UH215269	1	STREKKFJØR Ø3-Ø17X80	STREKKFJØR Ø3-Ø17X80	
28	UH215288	1	STRAMMEKJETTING	TENSION CHAIN	
29	UH210317	1	KJEDESKJERMDEKSEL	CHAIN GUARD COVER	
30	UH210313	1	SKJERMLÅS	GUARD LOCK	
	UH813425		SEKSKANTSKRUE M8X25	HEX. BOLT M8X25	
	UH860158		BRIKKE Ø8.4-Ø17X1.6	WASHER D8.4-D17X1.6	
	UH850158		SEKSKANTMUTTER M8	HEX. NUT M8	
	UH852158		NYLOCKMUTTER M8	NYLOCK NUT M8	
31	UH215101	1	LAGERHUS Ø52-Ø37	BEARING HOUSING D52-D37	
32	UH870728	1	KULELAGER 6205-2RS	BALL BEARING 6205-2RS	
	UH813416		SEKSKANTSKRUE M8X16	HEX. BOLT M8X16	
	UH860158		BRIKKE Ø8.4-Ø17X1.6	WASHER D8.4-D17X1.6	
	UH852158		NYLOCKMUTTER M8	NYLOCK NUT M8	
35	UH901640	1	RULLEKJEDE 5/8"X1603	ROLLER CHAIN 5/8"X1603	
36	UH901602	1	RULLEKJEDELÅS 5/8"	CONNECTING LINK 5/8	
40	UH215149	1	KJEDEHJUL 5/8" 17T SV.	SPROCKET 5/8" 17T	EXTRA

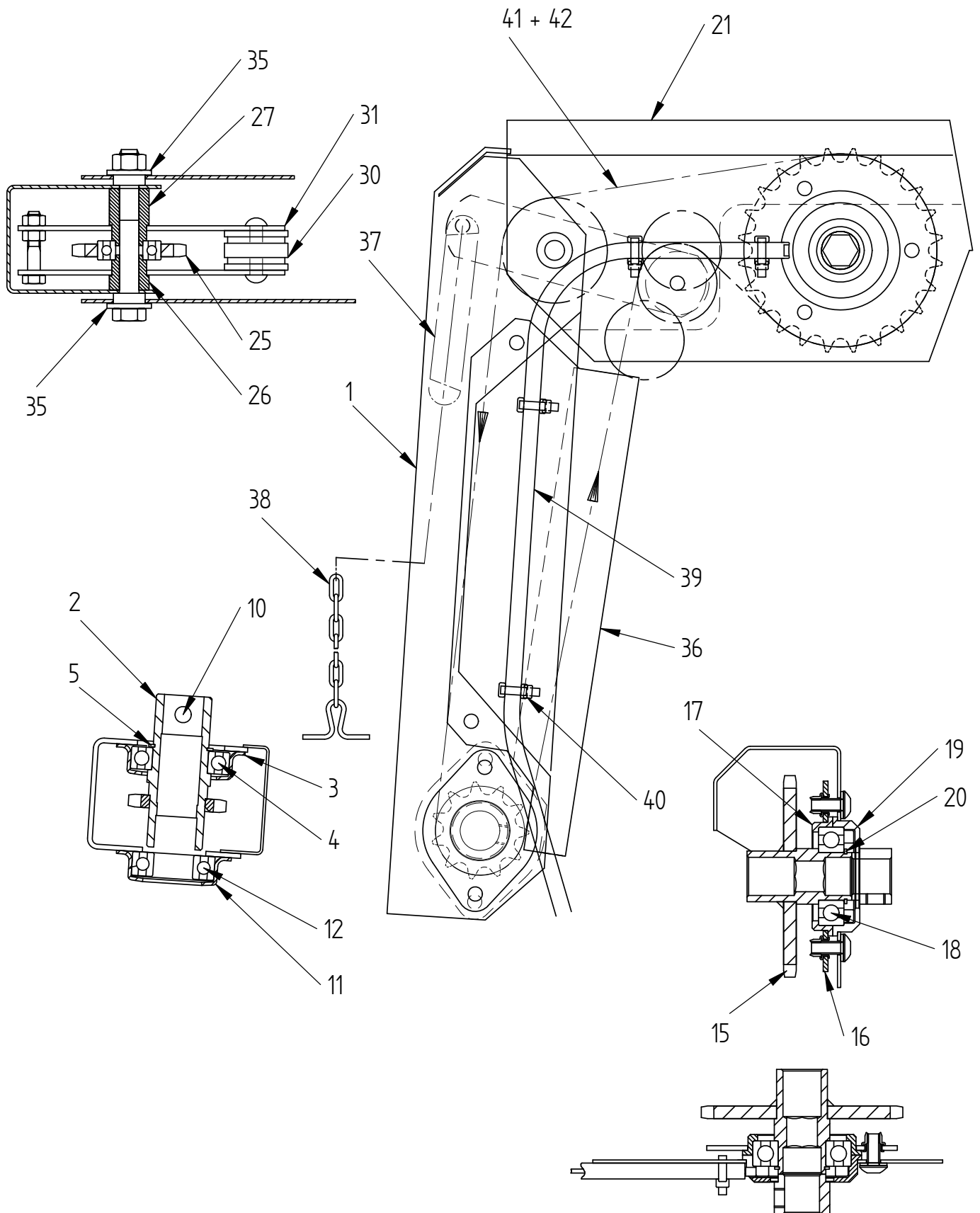


Fig. 5

3742_09

Utgave: Issue:		Redskap: Implement:			
1		POTETSETTER UP3742 POTATO PLANTER UP3742			
Dato: Date:		Enhet: Unit:		Fig: 5	
06-08		TOPPDRIFT - HYDRAULISK TOP SHAFT DRIVE - HYDRAULIC			
Ref. No.	Delenr. Part nr.	Ant. Qty.	Gjenstand:	Description:	Anmerkning: Note:
			HYDRAULISK DRIFT	HYDRAULIC DRIVE	
1	UH212265	1	NEDRE KJEDESKJERM	LOWER CHAIN GUARD	
2	UH210314	1	KJEDEHJUL 5/8" 11T	SPROCKET 5/8" 11-19T	
3	UH215102	1	LAGERHUS Ø62-Ø47	BEARING HOUSING D62-D47	
4	UH870637	1	KULELAGER 6007-2RS	BALL BEARING 6007-2RS1	
5	UH868435	1	LÅSERING UTV. A35X1.5	CIRCLIP A35X1.50	
	UH813416		SEKSKANTSKRUE M8X16	HEX. BOLT M8X16	
	UH860158		BRIKKE Ø8.4-Ø17X1.6	WASHER D8.4-D17X1.6	
	UH852158		NYLOCKMUTTER M8	NYLOCK NUT M8	
10	UH831616	1	GJENGESTIFT 6KT.HOL M12X16	HEADLESS SCREW M12X16	
11	UH215101	1	KJEDEHJUL 5/8" 11T	SPROCKET 5/8"11T.	
12	UH870728	1	KULELAGER 6205-2RS-C3	BEARING 6205-2RS-CR	
	UH813416		SEKSKANTSKRUE M8X16	HEX. BOLT M8X16	
	UH860158		BRIKKE Ø8.4-Ø17X1.6	WASHER D8.4-D17X1.6	
	UH852158		NYLOCKMUTTER M8	NYLOCK NUT M8	
15	UH210318	1	KJEDEHJUL 5/8" 24T	SPROCKET 5/8" 24T	
16	UH210328	1	KLEMRING M/MUTTERE	CLAMPING RING W/NUTS	
17	UH210323	1	LAGERBOSS Ø62-Ø68	BEARING HOUSING D62-D68	
18	UH210327	1	SENSORKULELAGER 6206/0642S	SENSOR BEARING 6206/0642S	
19	UH210324	1	LAGERBOSS Ø62-Ø70 M/HAKK	BEARING HOUSING D62-D70	
20	UH868431	1	LÅSERING UTV. AV30x1.5 Din510	CIRCLIP AV30X1.5	
21	UH212261	3	ØVRE KJEDESKJERM	UPPER CHAIN GUARD	
	UH837418		RUNDH.SKR.M8X20 M/KRYSSP.	REC.PAN HEAD SCREW M8X20	
25	UH221519	1	KJEDEHJUL 5/8" 13T M/LAGER	SPROCKET 5/8" 13T W/BEARING	
26	UH212262	1	BØSSING Ø12,4x22-Ø17/3	BUSHING d12,4x22-D17/3	
27	UH212263	1	BØSSING Ø12,4x36-Ø17/3	BUSHING Ø12,4x36-Ø17/3	
	UH215505		KJEDESTRAMMER KOMPL.	CHAIN TENSION ASSY	
30	UH215506	1	KJEDETRINSE PLAST	SPROCKET PLASTIC	
31	UH215507	2	ARM	ARM	
	UH863438		RUNDHODENAGLE Ø8X38	REC.PAN HEAD SCREW D8x38	
	UH813440		SEKSKANTSKRUE M8X40	HEX. BOLT M8X40-8.8	
	UH852158		NYLOCKMUTTER M8	NYLOCK NUT M8	
	UH850158		SEKSKANTMUTTER M8-8	HEX. NUT M8-8	
35	UH215199	2	LAGERFORING Ø12.7X9-Ø20/6	BEARING LINING D12.7XD20/6	
	UH813700		SEKSKANTSKRUE M12X100	HEX. BOLT M12X100	
	UH852162		NYLOCKMUTTER M12	NYLOCK NUT M12	
36	UH212266	1	KJEDEDEKSEL M/MUTTRE	CHAINCASE GUARD W/NUTS	
	UH813416		SEKSKANTSKRUE M8X16	HEX. BOLT M8X16	
	UH860158		BRIKKE Ø8.4-Ø17X1.6	WASHER D8.4-D17X1.6	
37	UH215269	1	STREKKFJØR Ø3-Ø17X80	TENSION SPRING Ø3-Ø17X80	
38	UH215288	1	STRAMMEKJETTING	TENSION CHAIN	
39	UH931630		FLEKSISLANGE INNV.Ø6.2	FLEXIBLE HOSE INSIDE D6.2	1,4M
40	UH216071	4	BUNTEBAND 3.5X140	HOSE STRIP 3.5X140	
41	UH901644	1	RULLEKJEDE 5/8"X1381(87ledd)	ROLLER CHAIN5/8"X1381(87ledd)	
42	UH901602	1	RULLEKJEDELÅS 5/8"	CONNECTING LINK 5/8	

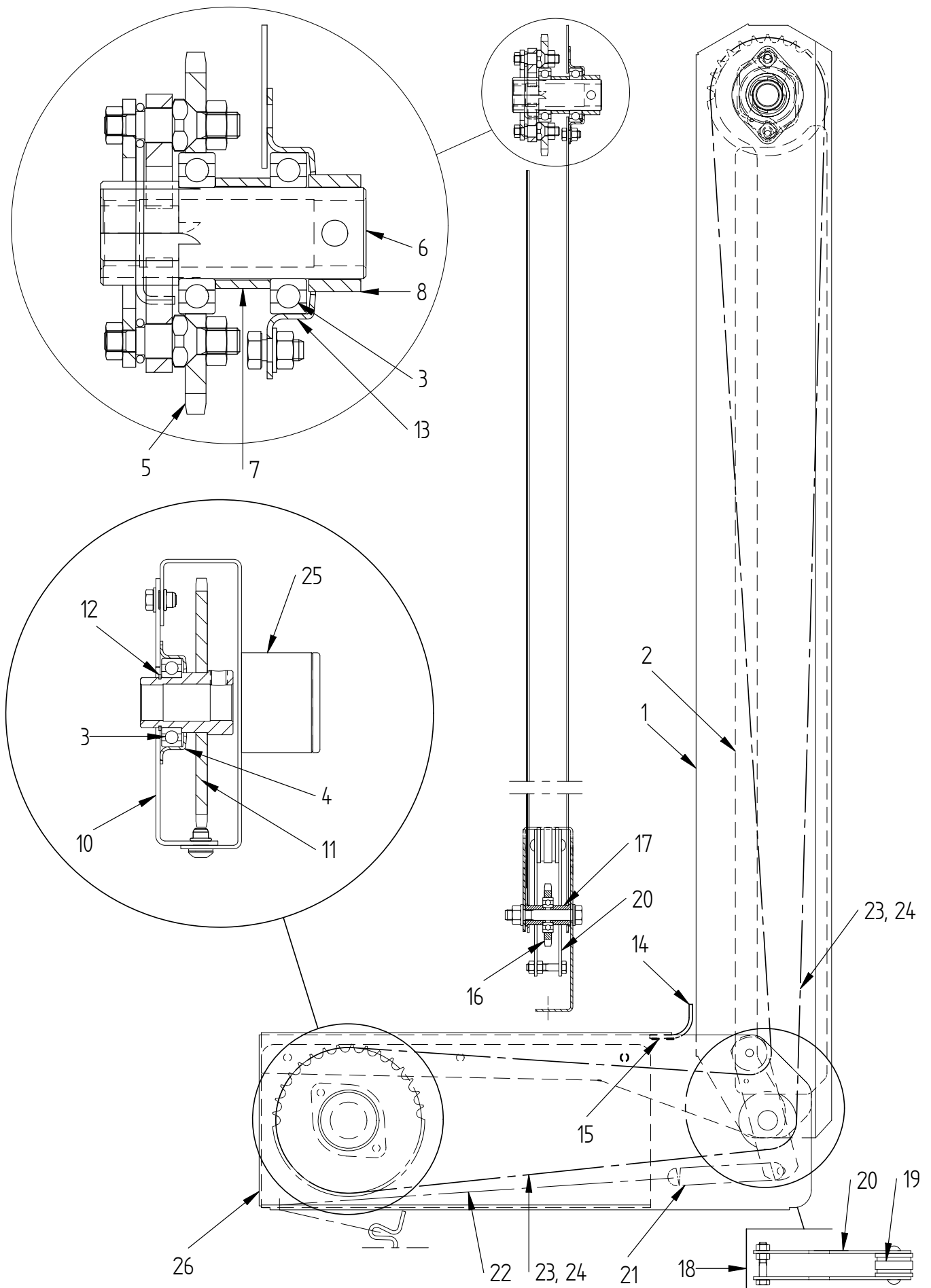


Fig. 6

3742_27

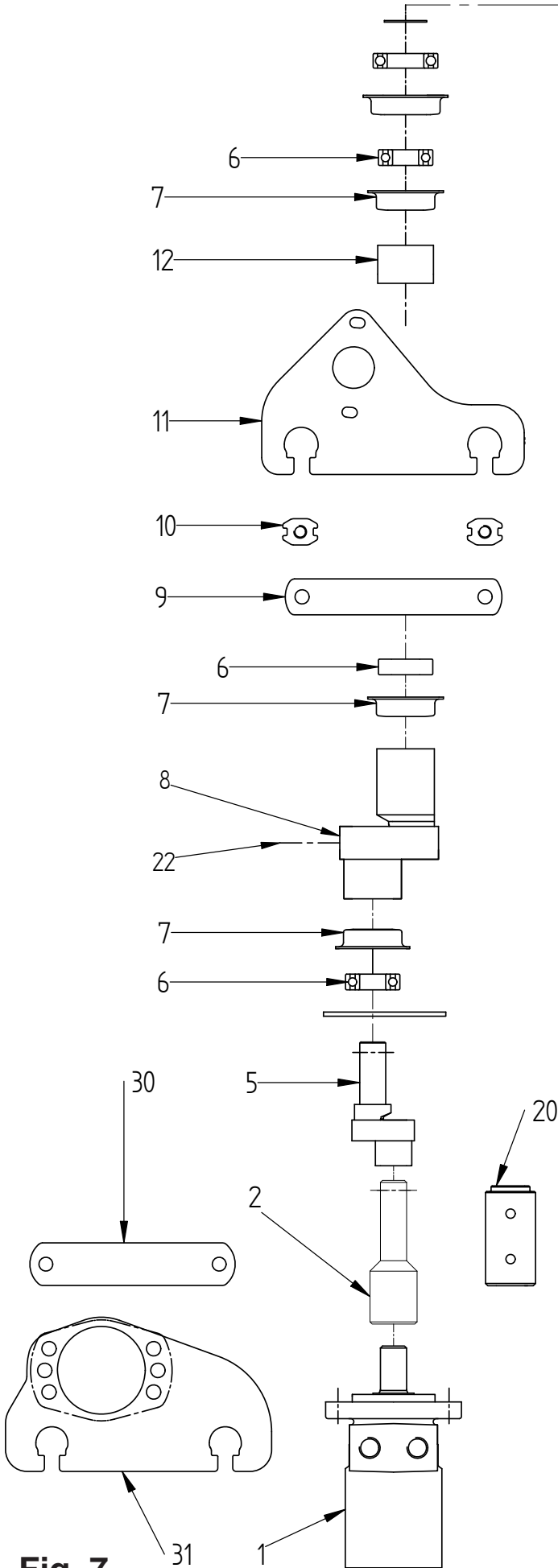
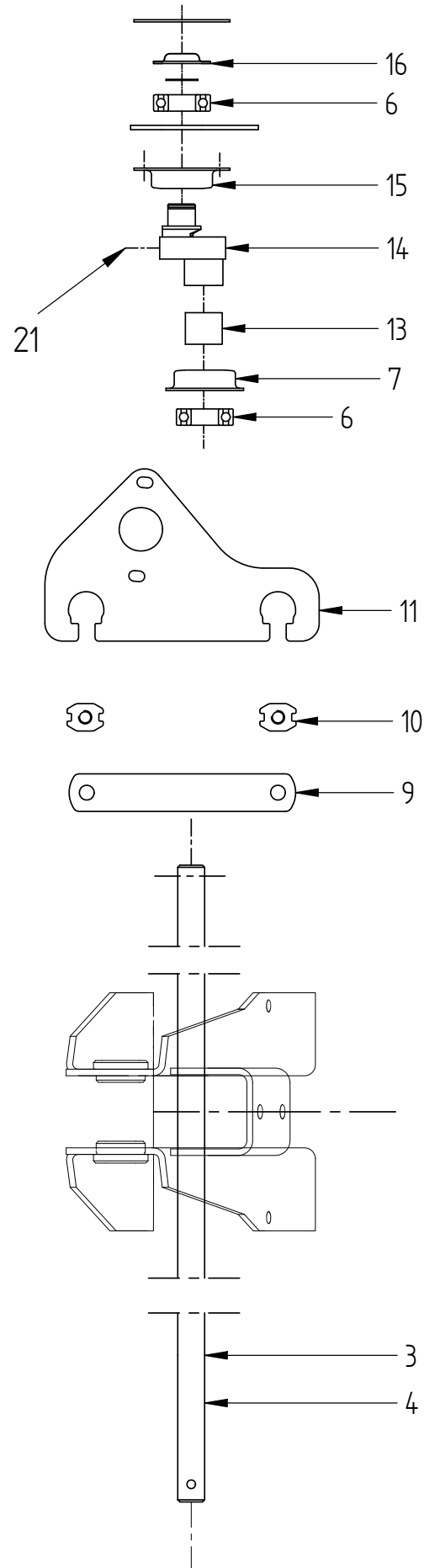


Fig. 7



Utgave: Issue:		Redskap: Implement:			
1		POTETSETTER UP3742 POTATO PLANTER UP3742			
Dato: Date:		Enhet: Unit:			
06-08		HYDRAULISK DRIFT HYDRAULIC DRIVE			
Ref. No.	Delenr. Part nr.	Ant. Qty.	Gjenstand:	Description:	Anmerkning: Note:
1	UH900509	1	OLJEMOTOR 195CCM Ø25 TE1	OIL MOTOR 195CCM Ø25 TE1	
	UH900501		PAKNINGSSETT MF761 MOTOR	SEAL KIT FOR MF761 MOTOR	
2	UH213106	1	KOBLINGSÅKSLING Ø25/Ø25	CONNECTION SHAFT D25/d25	
3	UH213103	1	ÅKSLING Ø25x1448	SHAFT D25x1448	75-80 CM ROW
4	UH213104	1	ÅKSLING Ø25x1648	SHAFT Ø25x1648	85-90 CM ROW
5	UH216641	1	EKSENTERTAPP	EXCENTRIC PIN	
6	UH870728	4	KULELAGER 6205-2RS-C3	BALL BEARING 6205-2RS-CR	
7	UH215105	2	LAGERDEKSEL	BEARING CAP	
	UH837418		RUNDH.SKR.M8X20 KRYSSPOR	REC.PAN HEAD SCREW M8X20	
	UH837417		RUNDH.SKR.M8X16 KRYSSPOR	REC.PAN HEAD SCREW M8X16	
	UH860158		BRIKKE Ø8.4-Ø17X1.6	WASHER D8.4-D17X1.6	
	UH866460		SPENNHYLSE 8X60X1,6	TENSION PIN 8X60X1.6	
	UH850162		SEKSKANTMUTTER M12	HEX. NUT M12-8 GALV.	
8	UH213105	1	EKSENTERTAPP	CRANK PIN	
	UH866440		SPENNHYLSE 8X40X1,5	TENSION PIN 8X40X1.5	
9	UH210733	1	LASK 32x10-Ø13/163/Ø13	BRACKET 32x10-D13/163/D13	
	UH813709		SEKSKANTSKRUE M12X190	HEX. BOLT M12X190	
	UH860163		BRIKKE Ø13-Ø24X2.5	WASHER D13-D24X2.5	
	UH870728		KULELAGER 6205-2RS-C3	BEARING 6205-2RS-CR	
10	UH210309	4	MUTTER M12 M/STYRESPOR	NUT M12 W/GUIDE NOTCHES	
11	UH213102	2	LAGERFESTE	BEARING BRACKET	
12	UH217449	1	HYLSE Ø25.7-Ø33.7X23	SPACER D25.7-D33.7X23	
13	UH412215	1	HYLSE Ø25.5-Ø33.7X29	COLLAR D33.7X29	
14	UH215278	1	EKSENTERTAPP	CRANK JOURNAL	
	UH866460		SPENNHYLSE 8X60X1,6	TENSION PIN 8X60X1.6	
15	UH215101	1	LAGERHUS	BEARING HOUSING D52-D37	
	UH813420		SEKSKANTSKRUE M8X20	HEX. BOLT M8X20-8.8	
	UH860158		BRIKKE Ø8.4-Ø17X1.6	BRIKKE Ø8.4-Ø17X1.6	
	UH852158		NYLOCKMUTTER M8	NYLOCK NUT M8	
16	UH281633	1	DEKSEL Ø52	COVER D52	
	UH868425	1	LÅSERING UTV. A25X1.20	CIRCLIP A25X1.20	
	UH866460	1	SPENNHYLSE 8X60	TENSION PIN 8X60X1.6	
	UH866440	1	SPENNHYLSE 8X40	TENSION PIN 8X40X1.5	
20	UH212216	1	DRIVHYLSE Ø25X90	DRIVE SLEEVE D25X90	
30	UH211716	1	LASK 40X10-Ø13/163/Ø13	CLAMP 40X10-D13/163/D13	
	UH860163		BRIKKE Ø13-Ø24X2.5 ELZN	WASHER D13-D24X2.5	
	UH813709		SEKSKANTSKRUE M12X190	HEX. BOLT M12X190	
31	UH211715	1	MOTORFESTE	MOTOR BRACKET	
	UH813640		SEKSKANTSKRUE M12X40	HEX. BOLT M12X40	
	UH860163		BRIKKE Ø13-Ø24X2.5	WASHER D13-D24X2.5	
	UH852162		NYLOCKMUTTER M12	NYLOCK NUT M12	

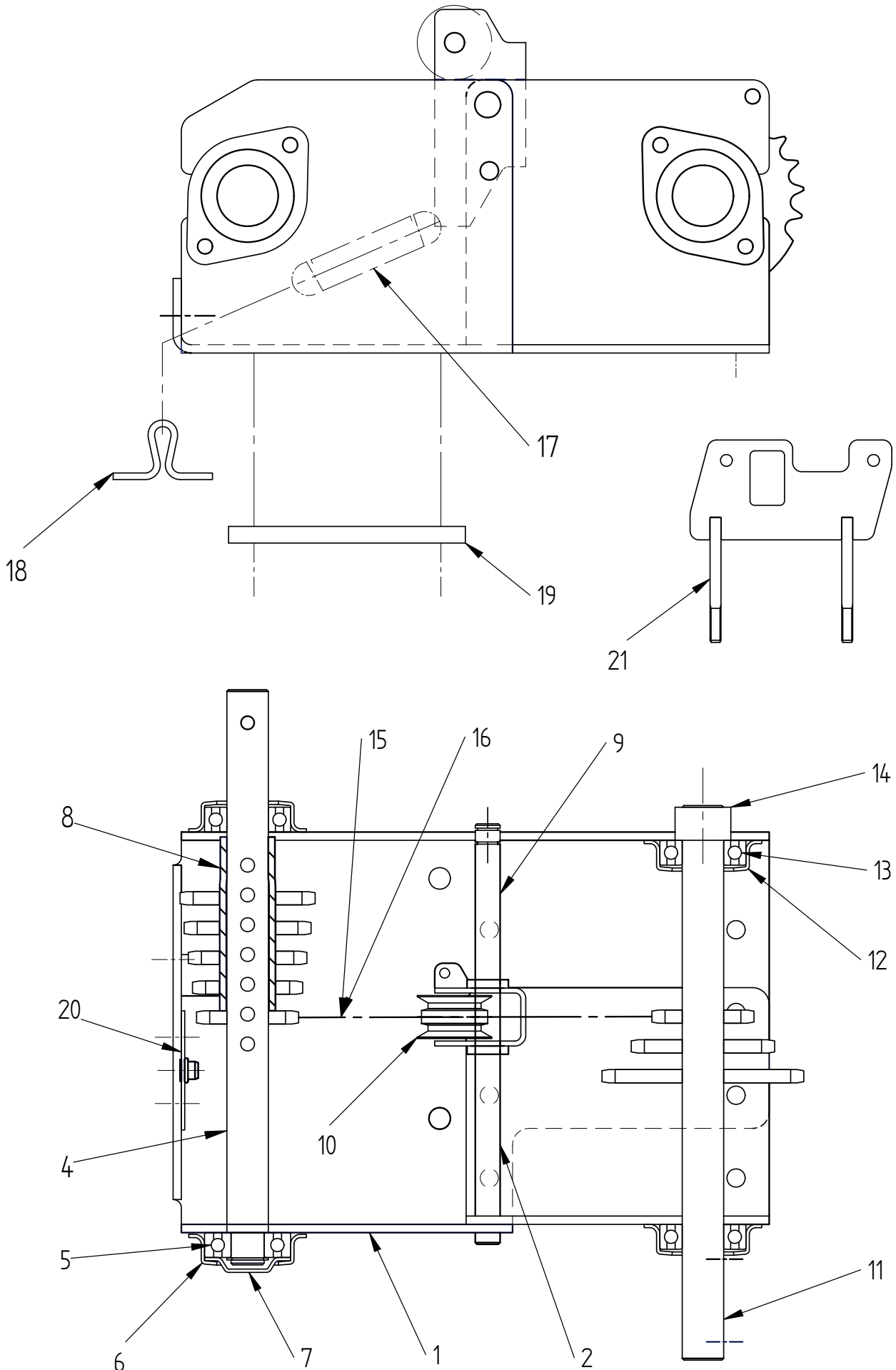


Fig. 8

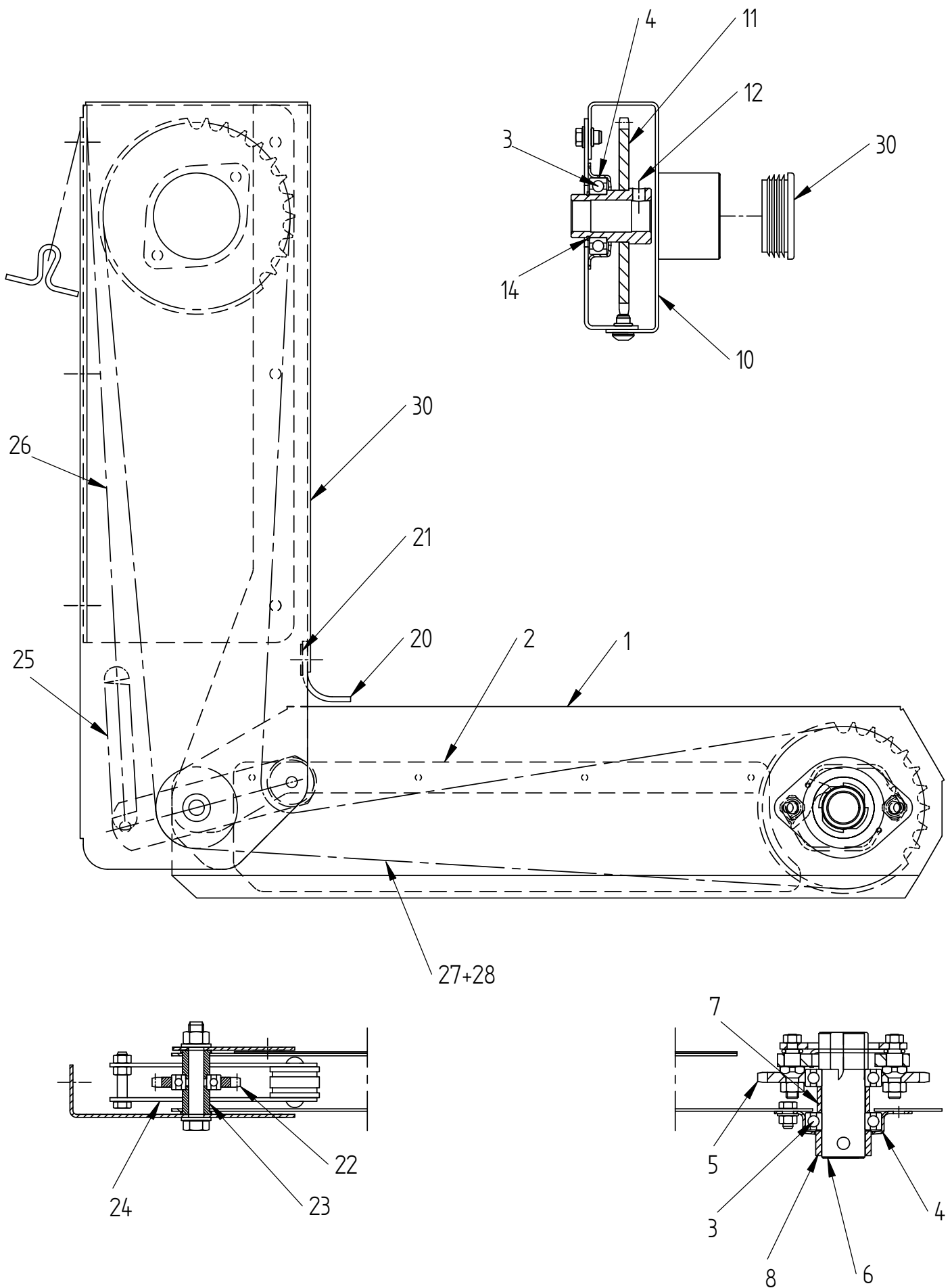


Fig. 9

3742_06

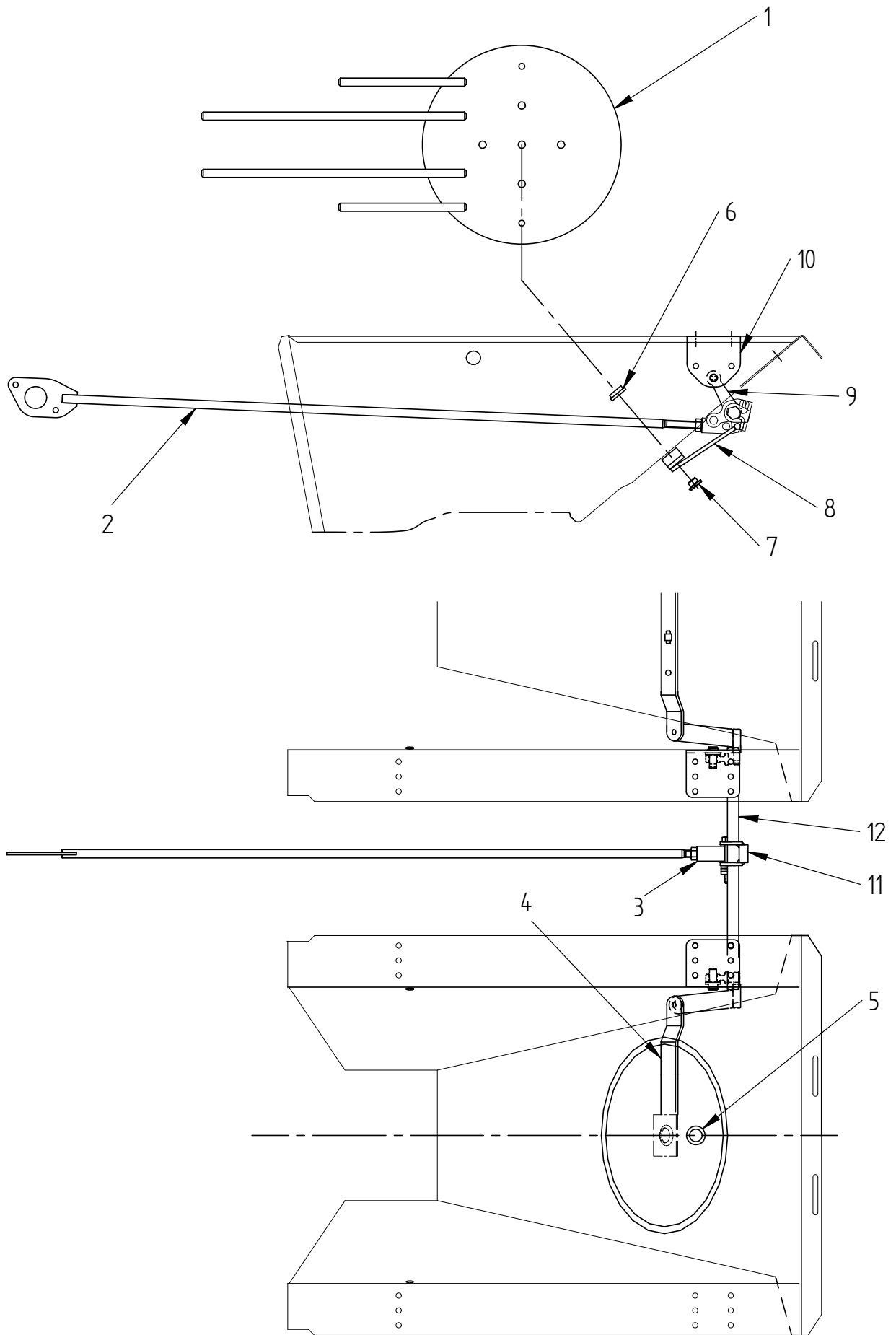


Fig.11

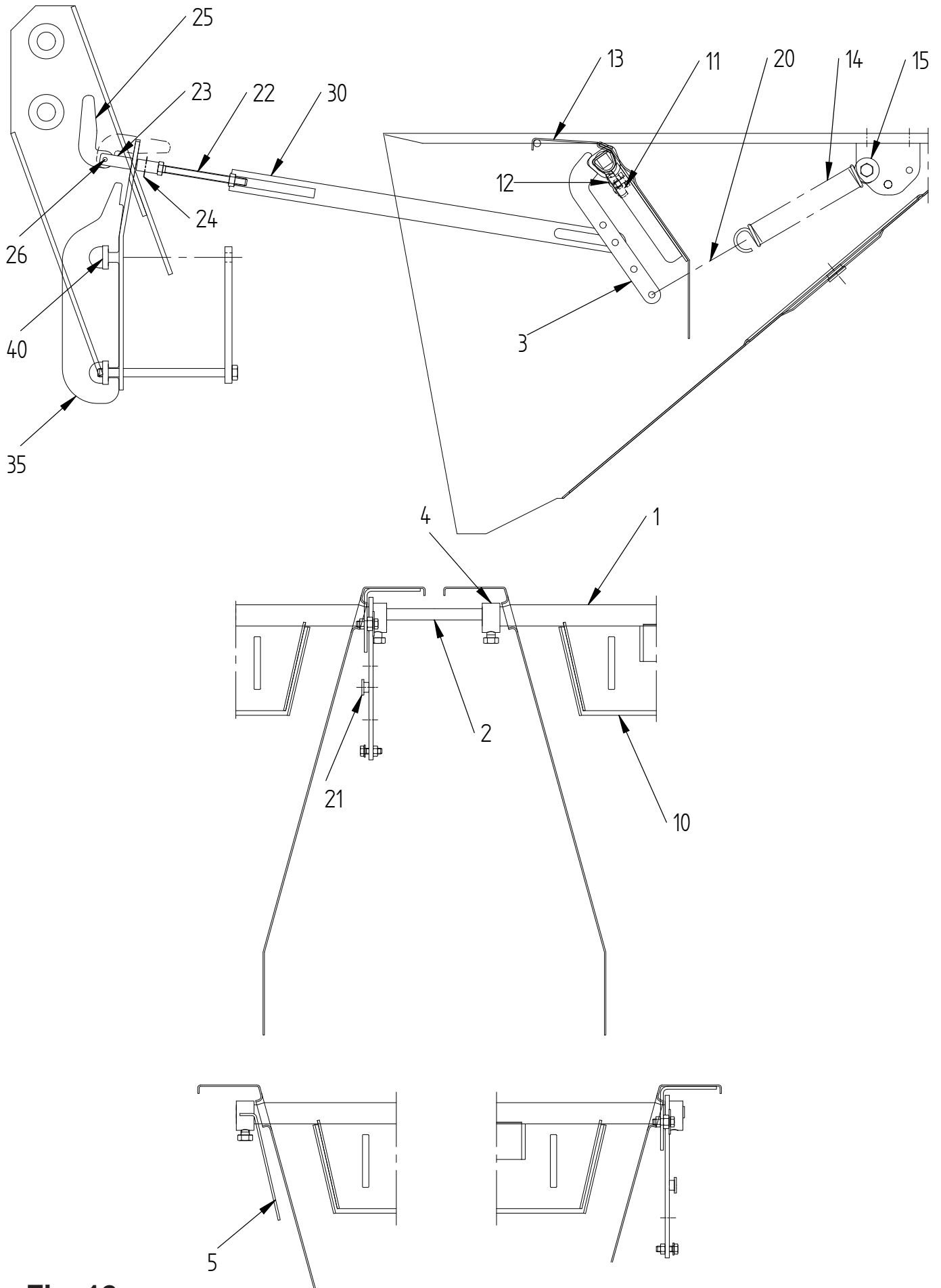
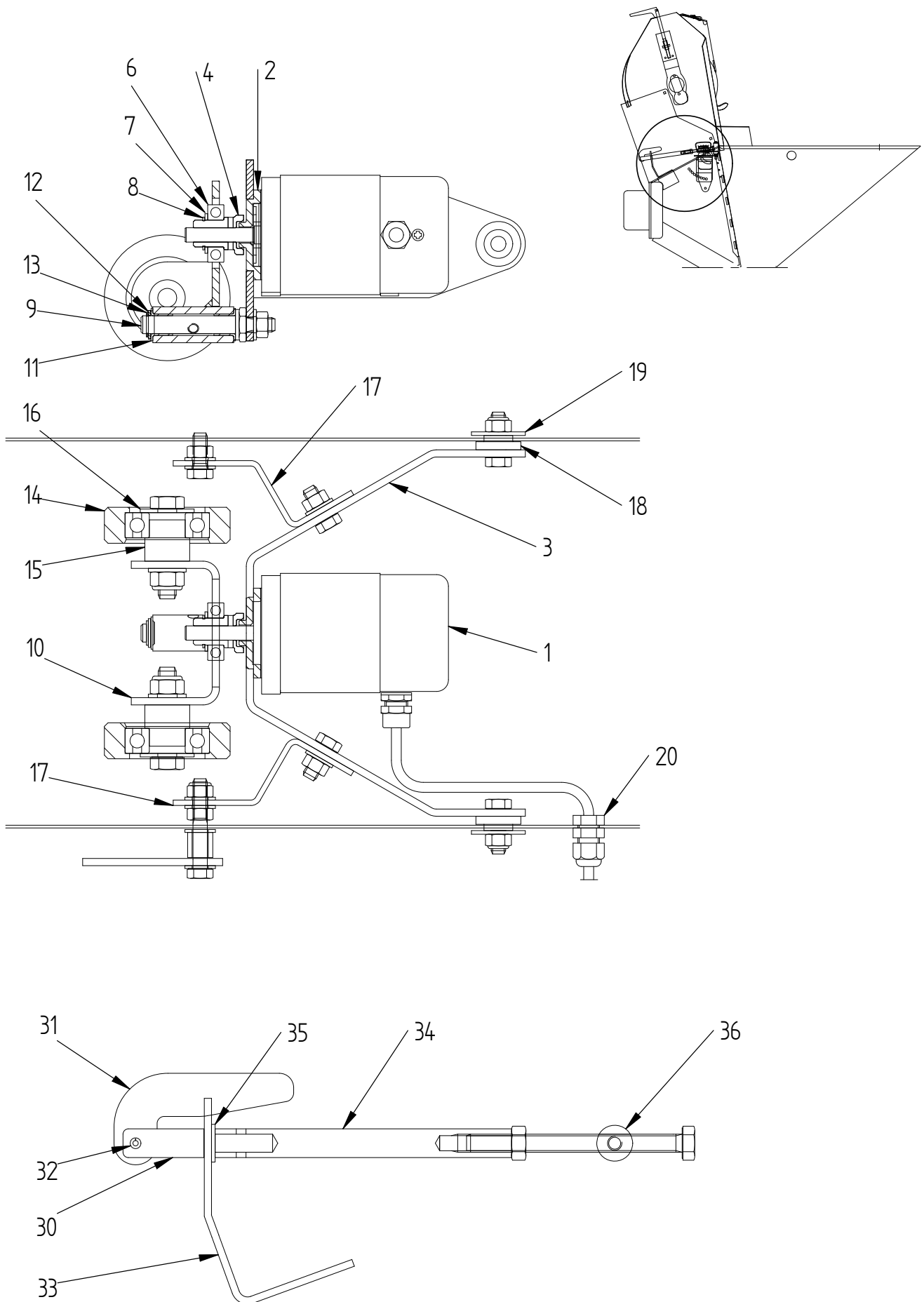


Fig. 12

**Fig. 13**

3742_17

Utgave: Issue:		Redskap: Implement:			
1		POTETSETTER UP3742 POTATO PLANTER UP3742			
Dato: Date:		Enhet: Unit:			
06-08		SKAKESTILLER - BELTESKAKER AGITATOR ADJUSTER			
Ref. No.	Delenr. Part nr.	Ant. Qty.	Gjenstand:	Description:	Anmerkning: Note:
1	UH213561	2	EL.MOTOR 24V/3000RPM	EL.MOTOR 24V/3000RPM	
2	UH213565	1	AKSELTETNING	SHAFT SEAL	
3	UH213564	1	MOTORFESTE	MOTOR BRACKET	
	UH813270		SEKSKANTSKRUE M5X20-8.8	HEX. BOLT M5X20-8.8	
	UH860151		BRIKKE Ø5.5-Ø10X1	WASHER D5.5-D10X1	
4	UH213576	1	EKSENTERBOSS Ø8-Ø15X0.8	ECCENTRIC HUB D8-D15X0.8	
	UH866070		SPENNHYLSE 2.5x20 NS-ISO	SPRING PIN 2.5X20 NS-ISO	
6	UH870612	1	KULELAGER 6002-2RS	BALL BEARING 6002-2RS	
7	UH868602	1	STØTTERING SS15x22x1.5	SUPPORTING RING	
8	UH868415	1	LÅSERING UTV. A15X1.0	CIRCLIP A15X1.0	
9	UH213570	1	AKSELTAPP Ø10X45-M8	SHAFT TUBE D10X45-M8	
	UH860158		BRIKKE Ø8.4-Ø17X1.6	WASHER D8.4-D17X1.6	
	UH852158		NYLOCKMUTTER M8	NYLOCK NUT M8	
10	UH213572	1	SKAKEPLATE M/LAGERHYLSE	AGITATOR PLATE	
11	UH213575	2	LAGERFORING Ø10X12-Ø12/11	BUSHING D10X12-D12/11	
12	UH868600	1	STØTTERING SS10X16X1.2	SUPPORT RING SS10X16X1.2	
13	UH868410	1	LÅSERING UTV. A10X1.0	CIRCLIP A10X1.0	
14	UH213580	2	SKAKEHJUL M/LAGER	AGITATOR WHEEL W/BEARING	
15	UH333528	2	BØSSING Ø10.5X23-Ø20/11	BUSHING D10.5x23-D20/11	
16	UH217197	2	BRIKKE Ø10.5-Ø30X2	WASHER D10.5-D30X2	
	UH813550		SEKSKANTSKRUE M10X50-8.8	HEX. BOLT M10X50-8.8	
	UH860160		BRIKKE Ø10.5-Ø21X2	WASHER D10.5-D21X2	
	UH852160		NYLOCKMUTTER M10	NYLOCK NUT M10	
17	UH213566	2	STILLFESTE	ADJUSTMENT BRACKET	
	UH813420		SEKSKANTSKRUE M8X20-8.8	HEX. BOLT M8X20-8.8	
	UH860158		BRIKKE Ø8.4-Ø17X1.6	WASHER D8.4-D17X1.6	
	UH852158		NYLOCKMUTTER M8	NYLOCK NUT M8	
18	UH213675	2	BØSSING Ø8.4x8-Ø16x3.5	BUSHING D8.4X8-D16X3.5	
19	UH217197	2	BRIKKE Ø10.5-Ø30X2	WASHER D10.5-D30X2	
	UH813425		SEKSKANTSKRUE M8X25 8.8	HEX. BOLT M8X25-8.8	
	UH852158		NYLOCKMUTTER M8	NYLOCK NUT M8	
20	UH441069	1	PAKKNIPPEL PG7 M/MUTTER	COMPRESSION GLAND PG7	
30	UH213591	1	BOLT M/GAFFELHODE Ø10X20	BOLT W/FORKED HEAD 10X20	
31	UH213592	1	HENDEL	HANDLE	
32	UH866316	1	SPENNHYLSE 6X16 ELZN	TENSION COLLAR	
33	UH210380	1	STILLBRAKETT	ADJUSTMENT BRACKET	
34	UH210378	1	STNAG M10-Ø16X165	ROD M10-D16X165	
35	UH866270	1	SPENNHYLSE 5X20	TENSION PIN 5X20	
36	UH210377	1	STILLMUTTER M8-M10	ADJUSTING NUT M8-M10	

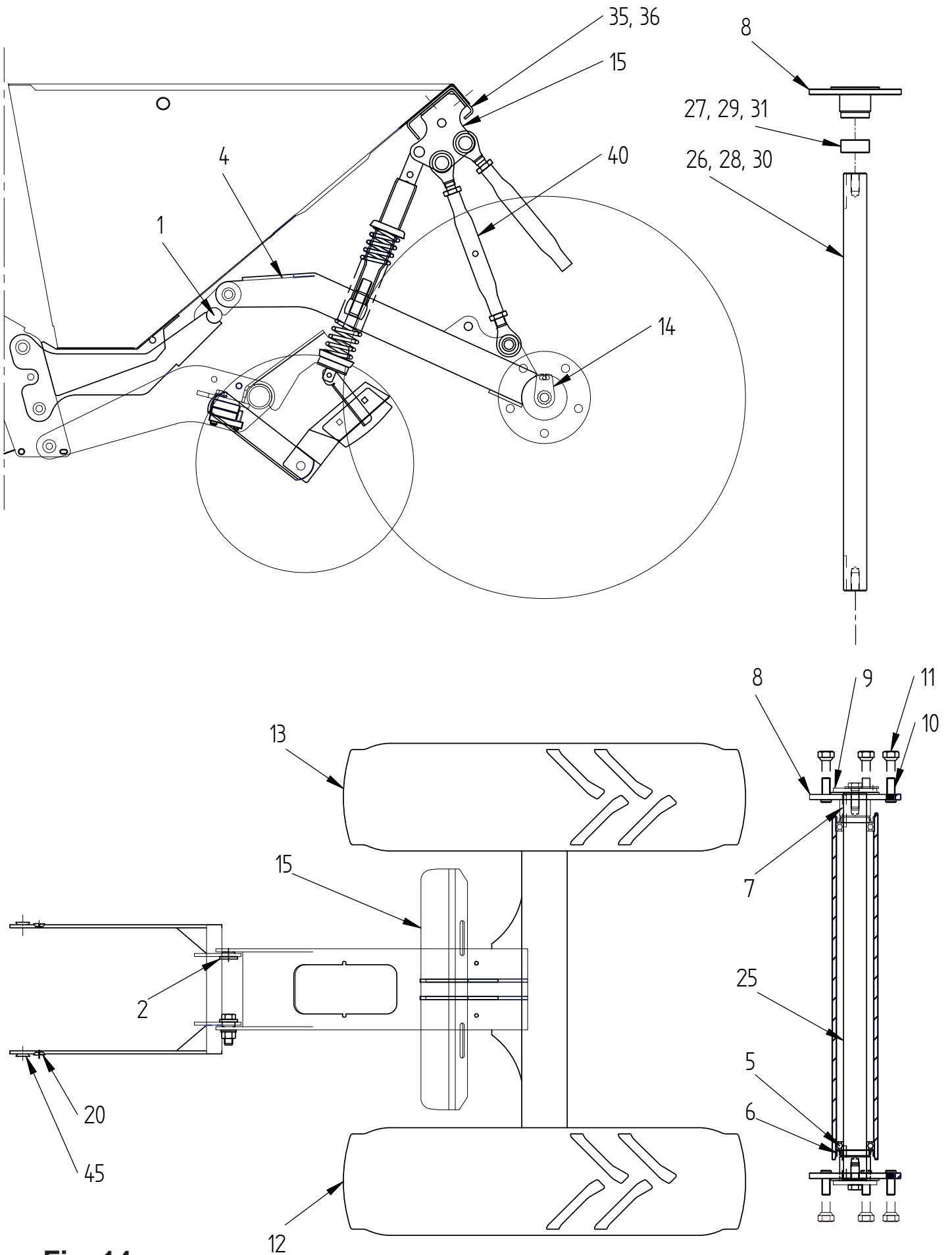


Fig. 14

3742_12

Utgave: Issue:		1		Redskap: POTETSETTER UP3742 Implement: POTATO PLANTER UP3742			
Dato: Date:		06-08		Enhet: HJULOPPHENG Unit: WHEEL SUSPENSION			
Ref. No.	Delenr. Part nr.	Ant. Qty.	Gjenstand:	Description:	Anmerkning: Note:		
1	UH213040	2	HJULOPPHENG	WHEEL SUSPENSION			
2	UH210713	6	BØSSING Ø16,5x14 - Ø25/9	BUSHING D16,5X14-D25/9			
	UH813830		SEKSKANTSKRUE M16X308	HEX. BOLT M16X30-8.80			
	UH860166		BRIKKE Ø17-Ø30X3	WASHER D17-D30X3			
3	UH412756	2	BØSSING Ø12,4X14-Ø20/9	BUSHING D12,4X14-D20/9			
	UH813625		SEKSKANTSKRUE M12X25	HEX. BOLT M12X25-8.8			
	UH860163		BRIKKE Ø13-Ø24X2.5	WASHER D13-D24X2.5			
	UH813850		SEKSKANTSKRUE M16X50	HEX. BOLT M16X50			
	UH852166		NYLOCKMUTTER M16	NUT M16			
4	UH213030	2	HJULAKSEL	WHEEL AXLE			
	UH813860		SEKSKANTSKRUEM16X60	HEX. BOLT M16X60			
	UH860166		BRIKKE Ø17-Ø30X3	WASHER D17-D30X3			
	UH852166		NYLOCKMUTTER M16	NUT M16			
5	UH870647	4	KULELAGER 6009-2RS	BALL BEARING 6009-2RS			
6	UH871558	4	TETNINGSRING 557512	OIL SEAL 557512			
7	UH310707	4	KILESTÅL 12X8X54	KEY STEEL 12X8X54			
8	UH213080	4	HJULNAV	WHEEL HUB			
9	UH213078	4	BRIKKE Ø17-Ø85X8	WASHER d17-D85x8			
	UH813840		SEKSKANTSKRUE M16X40	HEX. BOLT M16X40			
10	UH411910	20	RILLEBOLT M16X1.5X43	WHEEL BOLT M16X1.5X43			
11	UH411911	20	HJULMUTTER M16X1.5	WHEEL NUT			
12	UH215693	2	HJUL 7.50-16 4LAG V. M.RIBBER	WHEEL ASSY 7.50-16 4. LH			
13	UH215694	2	HJUL 7.50-16 4LAG H. M.RIBBER	WHEEL ASSY 7.50-16 4. RH			
14	UH213083	4	LÅSEBRIKKE NV24	LOCKING WASHER KEY24			
	UH813325		SEKSKANTSKRUE M6X25	HEX. BOLT M6X25			
	UH860156		BRIKKE Ø6.6-Ø12X1.5	WASHER D6.6-D12X1.5			
15	UH213084	4	OPPHENGSFESTE	SUSPENSION BRACKET			
	UH821630		LÅSEKRUE M12X30	CARRIAGE BOLT M12X30			
	UH860163		BRIKKE Ø13-Ø24X2.5	WASHER D13-D24X2.5			
	UH852162		NYLOCKMUTTER M12	NYLOCK NUT M12			
20	UH213044	24	FJØRSKIVE Ø12,5	CONICAL SPRING D12,5			
25	UH213088	2	AKSLING Ø45 RADA VST. 75CM	SHAFT D45	ROW W. 75CM		
26	UH213089	2	AKSLING Ø45 RADA VST. 80CM	AKSLING D45	ROW W. 80CM		
27	UH213075	2	HYLSE Ø45x25 RADA VST. 80CM	SLEEVE D45X25	ROW W. 80CM		
28	UH213090	2	AKSLING Ø45 RADA VST. 85CM	SHAFT D45	ROW W. 85CM		
29	UH213076	2	HYLSE Ø45X50 RADA VST. 85CM	SLEEVE D45X50	ROW W. 85CM		
30	UH213091	2	AKSLING Ø45 RADA VST. 90CM	SHAFT D45	ROW W. 90CM		
31	UH213077	2	HYLSE Ø45X75 RADA VST. 90CM	SLEEVE D45x75	ROW W. 90CM		
35	UH213093	1	OPPHENGS SKINNE 75-80CM	SUSPENSION RAIL 75-80CM	75-80CM		
36	UH213094	1	OPPHENGS SKINNE 85-90	SUSPENSION RAIL 85-90CM	85-90CM		
40	UH210290	1	STREKKFISK KAT.0 Ø16/M20	TURNBUCKLE CAT.0 D16/M20			
45	UH215671	2	FJØRSKIVE Ø16.5 M.KULE R14	WASHER D16,5 W/BALL R14			

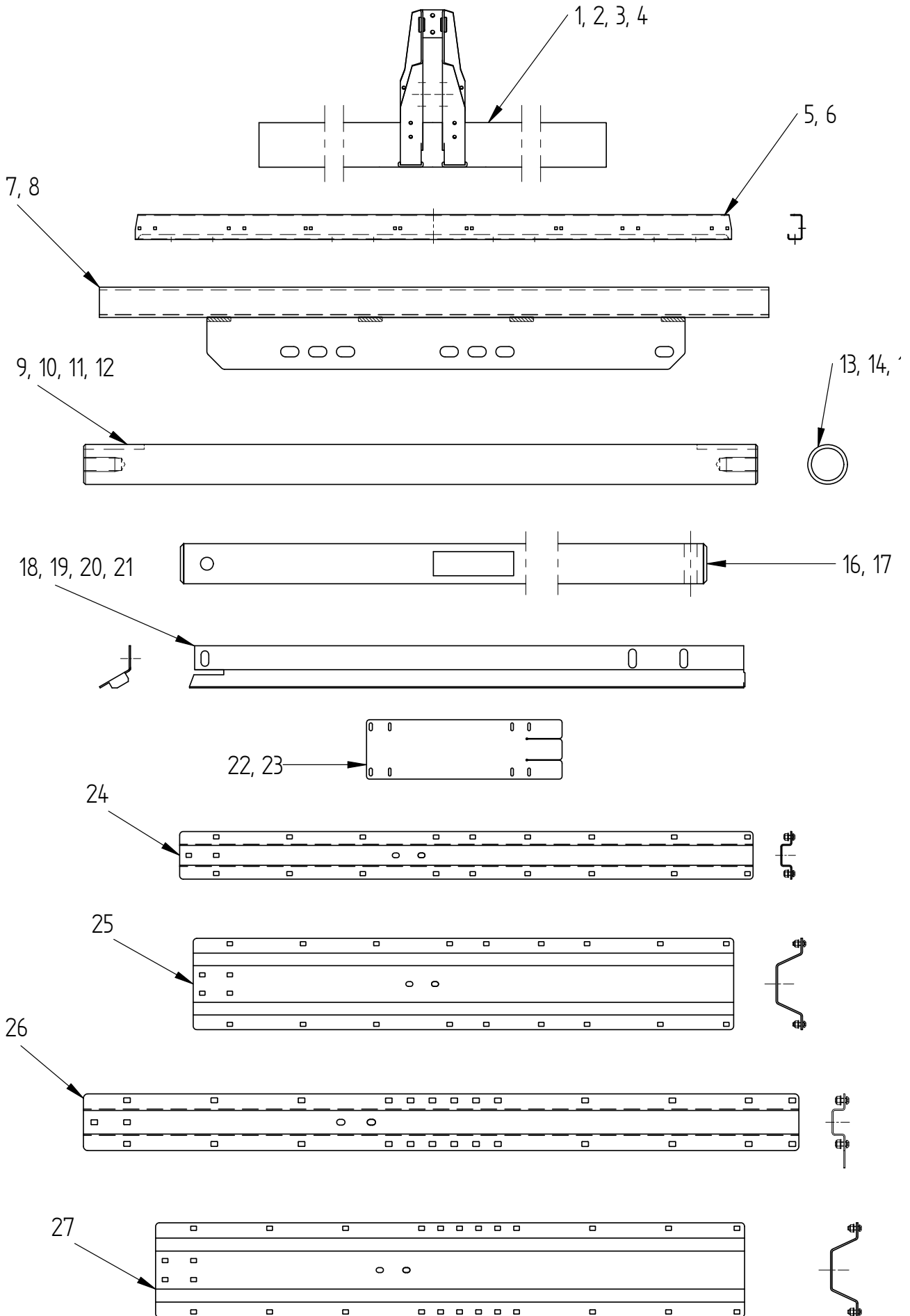


Fig. 15

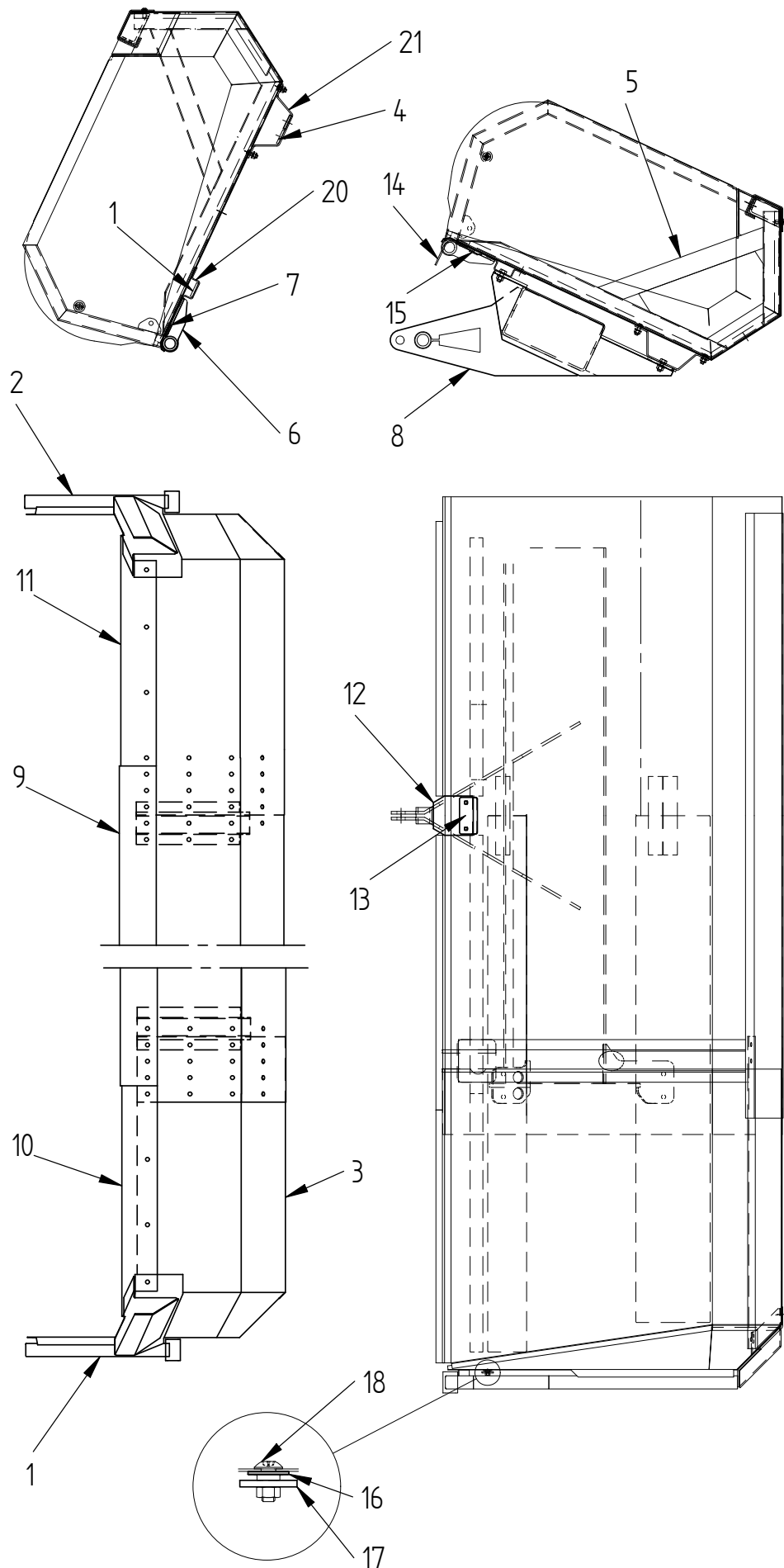


Fig. 16

3742_16

Utgave: Issue:		Redskap: Implement:			
1		POTETSETTER UP3742 POTATO PLANTER UP3742			
Dato: Date:		Enhet: Unit:		Fig: 16	
06-08		VIPPETANK HOPPER			
Ref. No.	Delenr. Part nr.	Ant. Qty.	Gjenstand:	Description:	Anmerkning: Note:
1	UH213352	1	TANKSEKSJON V.	HOPPER SECTION LH	
2	UH213353	1	TANKSEKSJON H.	HOPPER SECTION RH	
3	UH213366	1	TANKBOTN MIDTRE	HOPPER BOTTOM MIDDLE	
4	UH213370	3	LASK 45X6-4kt.11X4	CLAMP 45X6-SQ.11X4	
5	UH213372	2	TANKSKOTT 3742 sv.	HOPPER BULKHEAD	
	UH813525		SEKSKANTSKRUEM10X25	HEX. BOLT M10X25-8.8	
	UH826054		LINSESKRUE M/6KT.HOL M10x20	BUTTONHEAD SCREW M10X20	
	UH860160		BRIKKE Ø10.5-Ø21X	WASHER Ø10.5-Ø21X2	
	UH852160		NYLOCKMUTTER M10	NYLOCK NUT M10	
6	UH213402	2	HENGSELE	HINGE	
7	UH219179	4	BRIKKE Ø11-Ø45X3	WASHER D11-D45X3	
	UH826056		LINSESKRUE M/6KT.HOL M10X30	BUTTONHEAD SCREW M10x30	
8	UH213385	1	SYLINDERFESTE TANK	CYLINDER BRACKET	
	UH813625		SEKSKANTSKRUE M12X25	HEX. BOLT M12X25-8.8	
	UH860163		BRIKKE Ø13-Ø24X2.5	WASHER D13-D24X2.5	
	UH852162		NYLOCKMUTTER M12	NYLOCK NUT M12	
9	UH213390	1	TANKBAKKANTPROFIL MIDTRE	HOPPER RIM PROFILE CENTRAL	
10	UH213391	1	TANKBAKKANTPROFIL V.	HOPPER RIM PROFILE LH	
11	UH213392	1	TANKBAKKANTPROFIL H.	HOPPER RIM PROFILE RH	
	UH826054		LINSESKRUE M/6KT.HOL M10x20	BUTTONHEAD SCREW M10X20	
	UH837525		PANSKRUE M/6KT.HOL M10x25	PAN HEAD SCREW W/HEX.HOLE	
	UH860160		BRIKKE Ø10.5-Ø21X2	WASHER Ø10.5-Ø21X2	
	UH852160		NYLOCKMUTTER M10	NYLOCK NUT M10	
12	UH213417	1	GUMMIDEKSEL	RUBBER GUARD	
13	UH213418	1	DEKSELKLEMME	COVER CLAMP	
	UH821430		LÅSESKRUE M8X30-4.6	CARRIAGE BOLT M8X30	
	UH860158		BRIKKE Ø8.4-Ø17X1.6	WASHER D8.4-D17X1.6	
	UH852158		NYLOCKMUTTER M8	NYLOCK NUT M8	
14	UH211849	4	GUMMIDUK 4x200x990	RUBBER SHEET 4X200X990MM	
15	UH210462	4	KLEMLIST	CLAMPING PROFILE	
	UH821530		LÅSESKRUE M10X30	CARRIAGE BOLTM10X30	
	UH860160		BRIKKE Ø10.5-Ø21X2	WASHER Ø10.5-Ø21X2	
	UH852160		NYLOCKMUTTER M10	NYLOCK NUT M10	
16	UH210470	2	BØSSING Ø9X5.5-Ø14/3.5	BUSHING D9X5.5-D14/3.5	
17	UH410141	2	BRIKKE Ø9-Ø35X4	WASHER D9-D35X4	
18	UH837418	2	RUNDH.SKR.M8X20KRYSSP.	REC.PAN HEAD SCREW M8X20	
18	UH852158	2	NYLOCKMUTTER M8	NYLOCK NUT M8	
20	UH213368	1	BOTNAVSTIVER FRAMRE	BOTTOM SUPPORT FRONT	
21	UH213369	1	BOTNAVSTIVER BAKRE	BOTTOM SUPPORT REAR	

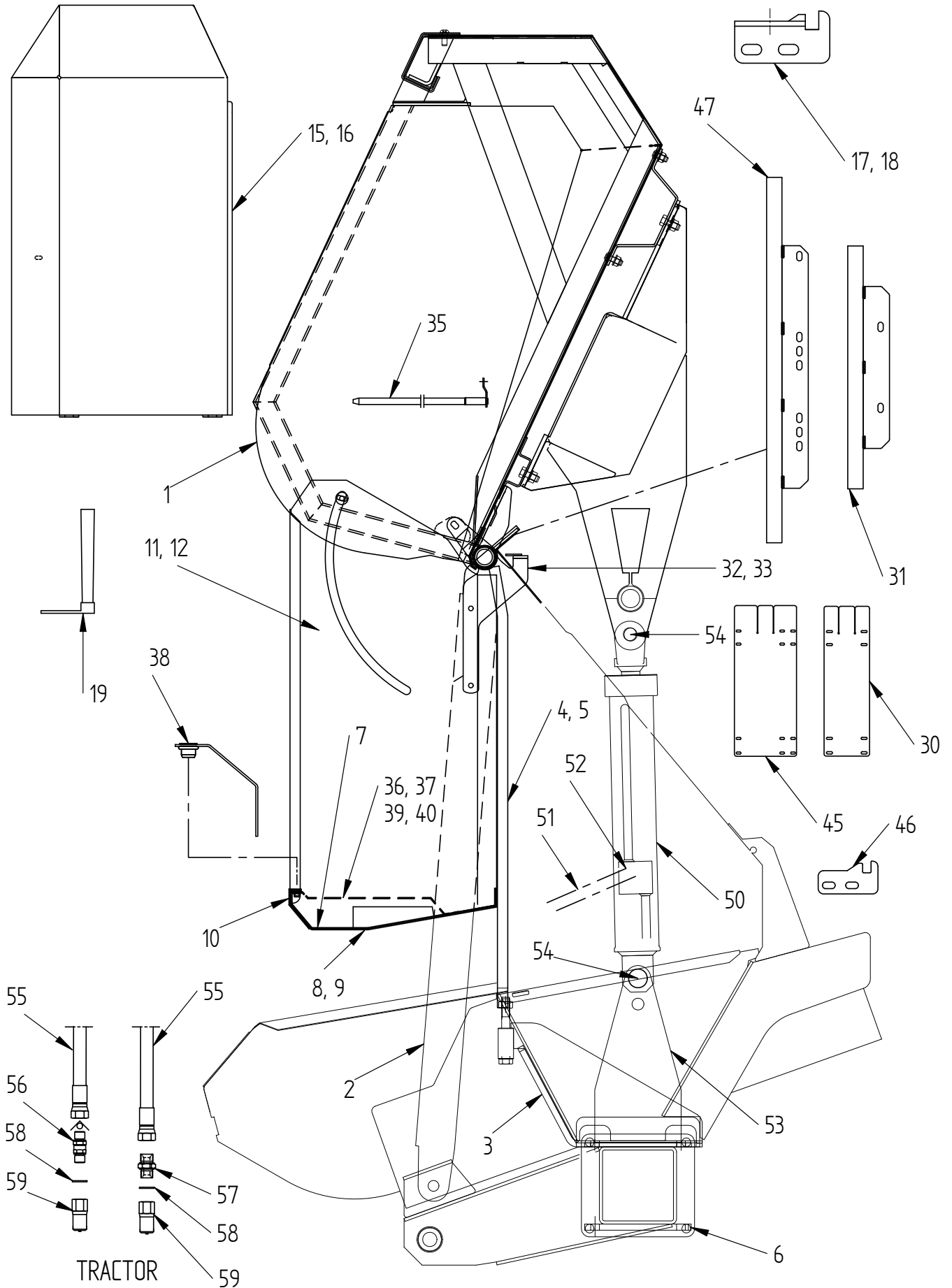


Fig. 17

Utgave: Issue:		1		Redskap: Implement:		POTETSETTER UP3742 POTATO PLANTER UP3742				
Dato: Date:		06-08		Enhet: Unit:		FRONT TANK HOPPER				
Ref. No.		Delenr. Part nr.		Ant. Qty.		Gjenstand:		Description:		Anmerkning: Note:
2	UH212315	1	TÅRNSTAG			HEADSTOCK STAY				
3	UH213393	2	TANKSTAGFESTE			HOPPER STAY BRACKET				
4	UH213396	1	TANKHENGSESTAG V.			HOPPER HINGE STAY LH				
5	UH213397	1	TANKHENGSESTAG H.			HOPPER HINGE STAY RH				
6	UH813902		SEKSKANTSKRUEM16X120			HEX. BOLT M16X120-8.8 GALV.				
	UH210048	2	LASK 50X12 - Ø17/167/Ø17			BRACKET 50X12 - D17/167/D17				
	UH813910		SEKSKANTSKRUEM16X200			HEX. BOLT M16X200-8.8 GALV.				
	UH852166		NYLOCKMUTTER M16			NUT M16				
7	UH213406	1	TANKFRONT MIDTRE			HOPPER FRONT MIDDLE				
8	UH213407	1	TANKFRONT V.			HOPPER FRONT LH				
9	UH213408	1	TANKFRONT H.			HOPPER FRONT RH				
10	UH213409	1	TANKFRONTSKINNE			HOPPER FRONT RIM PROFILE				
11	UH210466	1	TANKFRONTSIDE V.			TANK FRONT SIDE LH				
12	UH210467	1	TANKFRONTSIDE H.			TANK FRONT SIDE RH				
	UH210502		SKJERMER			COVERS				
15	UH210508	1	SIDESKJERM V. BAKRE			SIDECOVER REAR LH				
16	UH210509	1	SIDESKJERM H. BAKRE			SIDECOVER REAR RH				
	UH813420		SEKSKANTSKRUE M8X20			HEX. BOLT M8X20				
	UH860158		BRIKKE Ø8.4-Ø17X1.6			WASHER D8.4-D17X1.6				
	UH852158		NYLOCKMUTTER M8			NYLOCK NUT M8				
17	UH210547	1	LÅSEBRACKET H.			LOCKBRACKET RH				
18	UH210548	1	LÅSEBRACKET V.			LOCKBRACKET LH				
	UH813316		SEKSKANTSKRUE M6X16			HEX. BOLT M6X16-8.8				
	UH860156		BRIKKE Ø6.6-Ø12X1.5			WASHER D6.6-D12X1.5				
	UH852156		NYLOCKMUTTER M6			NYLOCK NUT M6				
19	UH210518	2	BØRSTEFIL			PROFILE				
	UH837417		RUNDH.SKR.M8X16 M/KRYSSPOR			REC.PAN HEAD SCREW M8X16				
	UH860158		BRIKKE Ø8.4-Ø17X1.6			WASHER D8.4-D17X1.6				
	UH850158		SEKSKANTMUTTER M8			HEX. NUT M8				
30	UH213430	2	MELLOMPLATE 125-175MM			BRIDGING PLATE 125-175MM				
	UH837417		RUNDH.SKR.M8X16 M/KRYSSPOR			REC.PAN HEAD SCREW M8X16				
	UH837418		RUNDH.SKR.M8X20 M/KRYSSPOR			REC.PAN HEAD SCREW				
	UH860158		BRIKKE Ø8.4-Ø17X1.6			WASHER D8.4-D17X1.6				
	UH852158		NYLOCKMUTTER M8			NYLOCK NUT M8				
	UH860160		BRIKKE Ø10.5-Ø21X2			WASHER Ø10.5-Ø21X2				
	UH852160		NYLOCKMUTTER M10			NYLOCK NUT M10				
31	UH213421	2	STØTTEHYLSE INDRE			SUPPORTING SLEEVE INNER				
	UH813635		SEKSKANTSKRUE M12X35			HEX. BOLT M12X35				
	UH860163		BRIKKE Ø13-Ø24X2.5			WASHER D13-D24X2.5				
	UH852162		NYLOCKMUTTER M12			NYLOCK NUT M12				
32	UH213426	1	STYREØRE V.			ADJUSTING EAR LH				

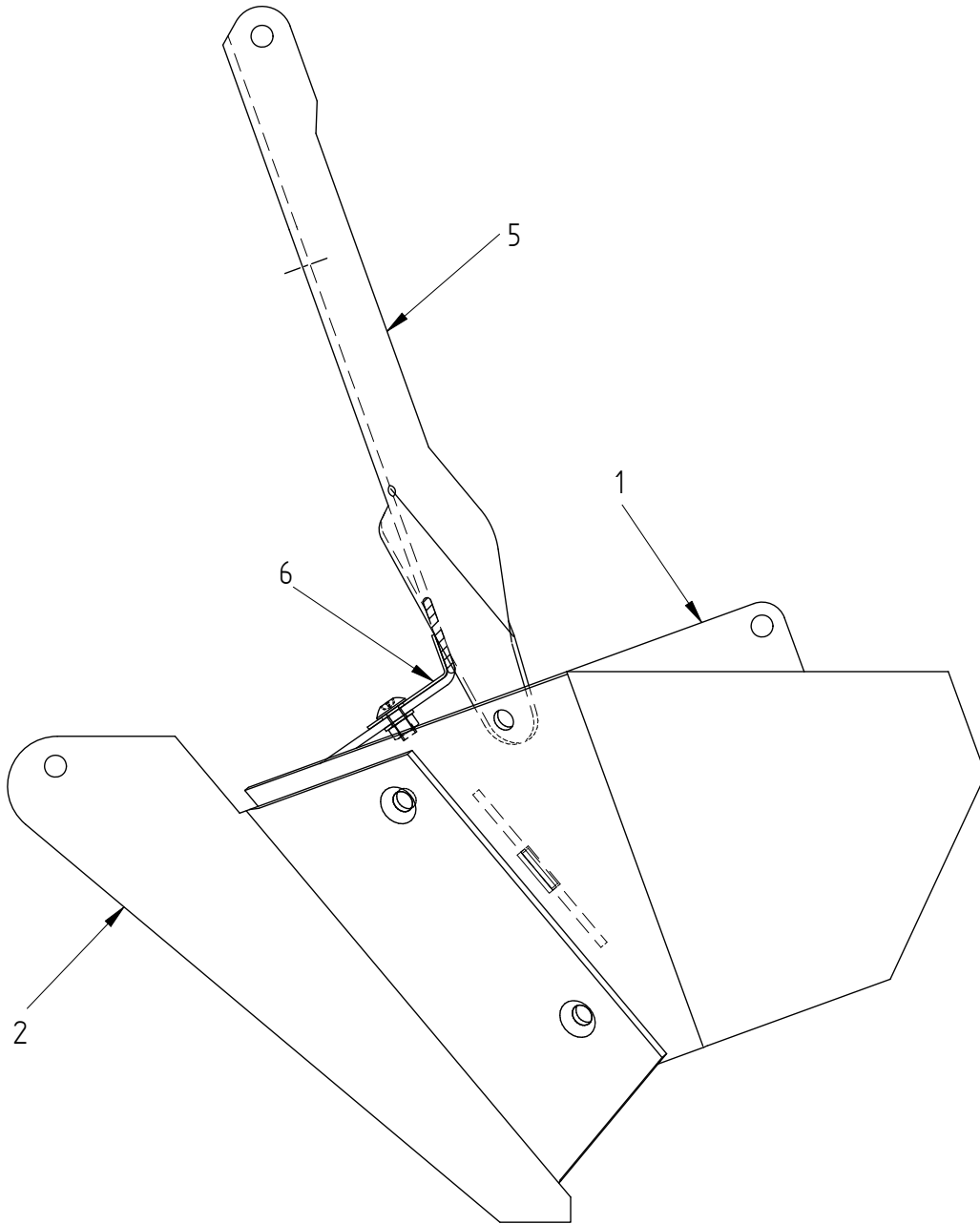


Fig. 18

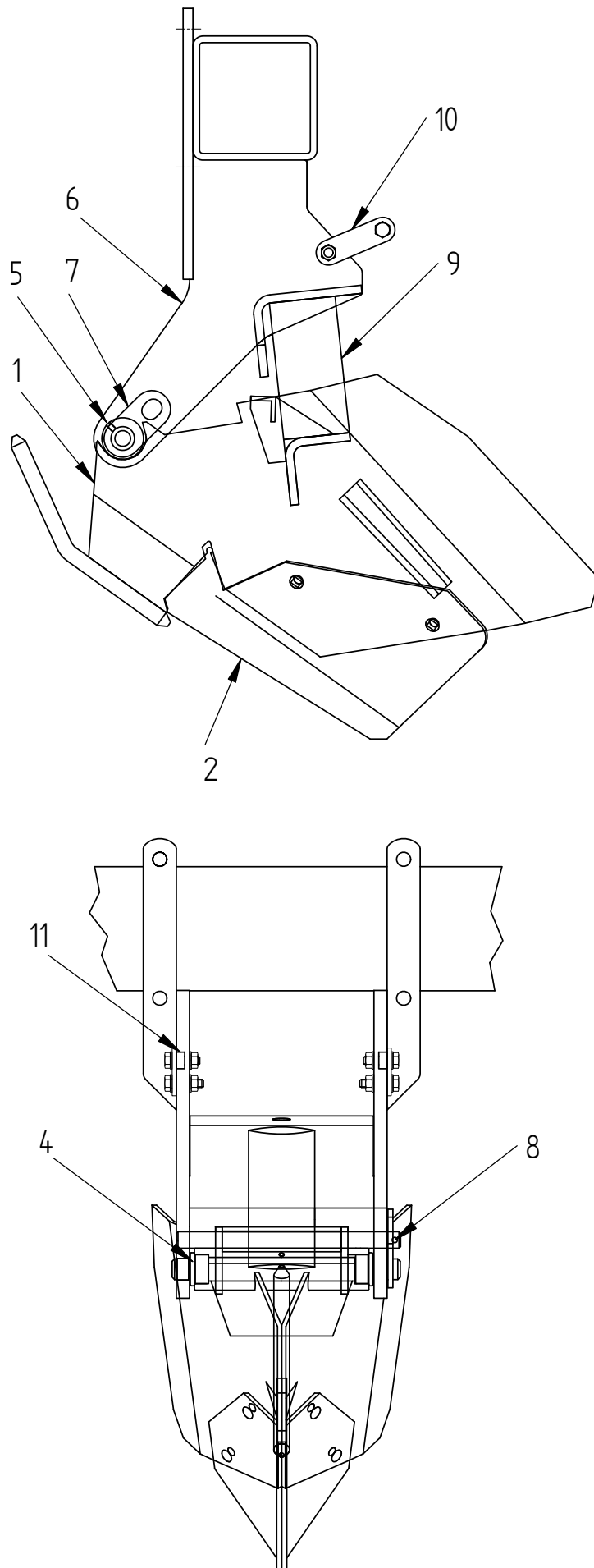


Fig. 19

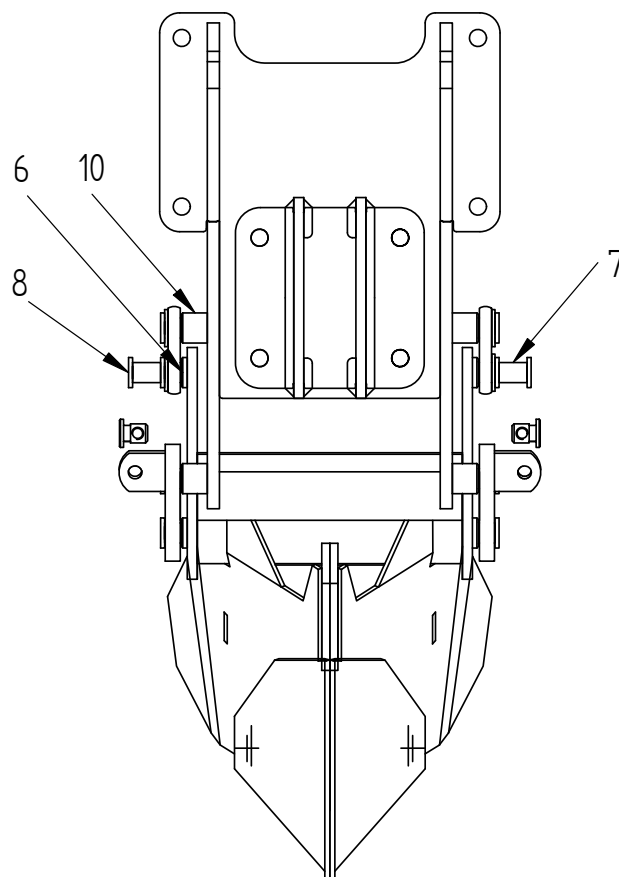
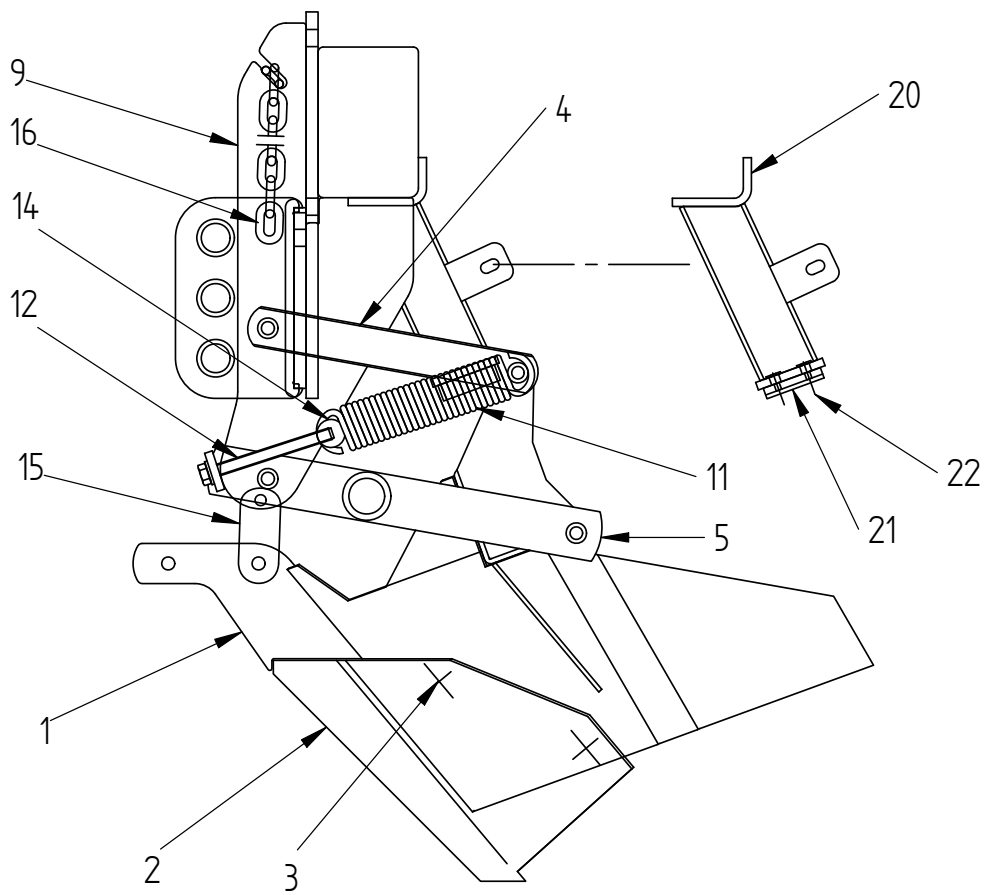
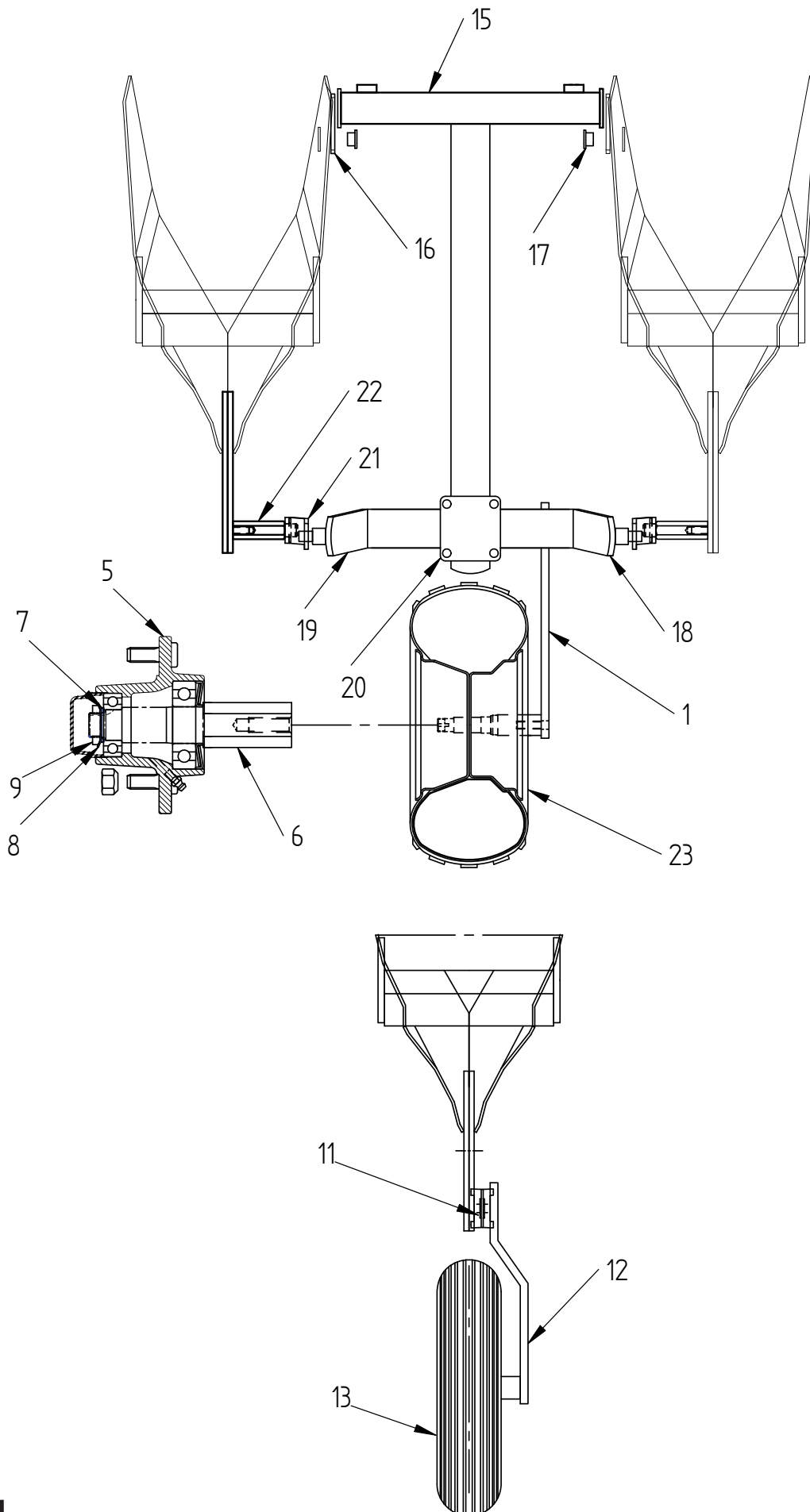


Fig. 20

Utgave: Issue:		Redskap: Implement:			
1		POTETSETTER UP3742 POTATO PLANTER UP3742			
Dato: Date:		Enhet: Unit:		Fig: 20	
07-08		SETTESKJÆR - FLYTENDE FURROW OPENER - FLOATING			
Ref. No.	Delenr. Part nr.	Ant. Qty.	Gjenstand:	Description:	Anmerkning: Note:
1	UH210572-K	1	SKJÆRKROPP FLYT	FURROW OPENER FLOATING	STD
2	UH210580-K	1	SKJÆRSPISS FLYT	POINT FLOATING	
	UH839525		SENKSKR. M/KRYSSPOR M10x25	COUNTERSUNK BOLT M10X25	
3	UH270448	4	BRIKKE Ø11-Ø30X4	WASHER D11-D30X4	
4	UH210612	2	ØVRE PARALLELLSTAG	UPPER TRACK ROD	
5	UH210615	1	NEDRE PARALLELLSTAG	LOWER TRACK ROD	
6	UH214262	4	BØSSING 12.4X24.5-20/16.5	BUSHING 12.4X24.5-20/16.5	
7	UH210623	2	HYLSE Ø12,4-Ø20x28	SLEEVE D12,4-D20X28	
	UH860170		BRIKKE Ø21-Ø37X3	WASHER D21-D37X3	
8	UH214263	10	BRIKKE Ø12.5-Ø30X4	WASHER D12,5-D30x4	
9	UH210620	1	RAMMEFESTE	BRACKET	
10	UH214264	4	BØSSING Ø12,4X42,5-X20/16,5	BUSHING D12,4X42,5-D20/16,5	
	UH860170		BRIKKE Ø21-Ø37X3	WASHER D21-D37X3	
	UH214263		BRIKKE Ø12.5-Ø30X4	WASHER D12,5-D30x4	
	UH813675		SEKSKANTSKRUE M12X75	HEX. BOLT M12X30-8.8	
	UH852162		NYLOCKMUTTER M12	NYLOCK NUT M12	
12	UH401432	2	STREKKFJØR Ø6-Ø40X212	TENSION SPRING Ø6-Ø40X212	
13	UH810703	2	6KT.SKR.HELGJ.M12X13	HEX. BOLT M12X130	
14	UH302041	2	MUTTER	NUT	
15	UH210656	1	ØRE Ø13-Ø11	EAR D13-D11	
	UH813635		SEKSKANTSKRUE M12X35	HEX. BOLT M12X35	
	UH860163		BRIKKE Ø13-Ø24X2.5	WASHER D13-D24X2.5	
	UH852162		NYLOCKMUTTER M12	NYLOCK NUT M12	
16	UH217523	1	KJETTING Ø8-26X624	CHAIN D8-26X624	
			2 - 4 RADS	2 - 4 ROWS	
20	UH210636	1	BOTNANSLAG 2R-4R	CONTRAPLATE	
21	UH210632	1	ANSLAGSGUMMI	STOP RUBBER	
22	UH862060	6	POPNAGLE Ø4.8X20	POP RIVET D4.8X20	
			4 - 6 RADS	2 - 4 ROWS	
25	UH210626	1	BOTNANSLAG 6R	CONTRAPLATE 6R	
26	UH210632	1	ANSLAGSGUMMI	STOP RUBBER	
27	UH862061	8	POPNAGLE Ø4.8X18.0	POP RIVET D4.8X18.0	
27	UH860152	8	BRIKKE Ø5.3-Ø15X1.6 ELZN	WASHER D5-D17X1.25	

**Fig. 21**

Utgave: Issue:		Redskap: Implement:			
1		POTETSETTER UP3742 POTATO PLANTER UP3742			
Dato: Date:		Enhet: Unit:			
06-08		DYBDEHJUL DEPTHWHEEL			
Ref. No.	Delenr. Part nr.	Ant. Qty.	Gjenstand:	Description:	Anmerkning: Note:
1	UH215774	1	HJULARM	WHEEL ARM	
5	UH228670	1	NAV KOMPLETT 5BOLTER M12	HUB ASSY 5BOLTS-M12	
6	UH215779	1	HJULAKSEL 6KT.32	WHEEL SHAFT	
7	UH868604	1	STØTTERING 20X28X2	SUPPORT RING 20X28X2.0	
8	UH869879	1	LÅSEBRIKKE Ø20	LOCK WASHER D20	
9	UH869854	1	AKSELMUTTER M20X1	NUT M20X1	
11	UH215349	2	STJERNEBRIKKE	STAR WASHER	
	UH813670		SEKSKANTSKRUE M12X70	HEX. BOLT M12X70	
	UH852162		NYLOCKMUTTER M12	NYLOCK NUT M12	
12	UH210586	1	HJULARM	WHEELARM	
13	UH205130	1	HJUL M/AKSEL	SUPPORT WHEEL	
	UH813830		SEKSKANTSKRUEM16X30	HEX. BOLT M16X30	
15	UH210592	1	HJULRAMME	WHEEL ARM	
16	UH215790	2	HENGSLARM	ARM	
17	UH215198	2	LAGERFORING Ø12.7X15-Ø20/11.5	BEARING LINING D12.7X15D20	
	UH813630		SEKSKANTSKRUE M12X30	HEX. BOLT M12X30	
	UH813645		SEKSKANTSKRUE M12X45	HEX. BOLT M12X45	
	UH860170		BRIKKE Ø21-Ø37X3	WASHER D21-D37X3	
18	UH215793	1	SKJÆRSTYRINGSARM V.	OPENER BODY CONTR.ARM LH	
19	UH215794	1	SKJÆRSTYRINGSARM H.	OPENER BODY CONTR.ARM RH	
20	UH303749	2	KLEMPATE Ø13-60-63	CLAMP D13-60-63	
	UH813690		SEKSKANTSKRUE M12X90	HEX. BOLT M12X90	
	UH852162		NYLOCKMUTTER M12	NYLOCK NUT M12	
	UH860163		BRIKKE Ø13-Ø24X2.5	WASHER D13-D24X2.5	
21	UH215770	2	STILLSTAG M/HOL	ADJUSTING BAR W/HOLE	
	UH867056		RINGPINNE Ø6	RING PIN 6	
22	UH210595	2	AKSELTAPP	SHAFT TUBE	
	UH867056		RINGPINNE Ø6	RING PIN 6	
	UH865325		SPLINT 6.3X25	SPLIT PIN 6.3 X 25	
23	UH412501	1	HJUL 190-8"LP. 8PR	WHEEL 190-8"LP. 8PR"	

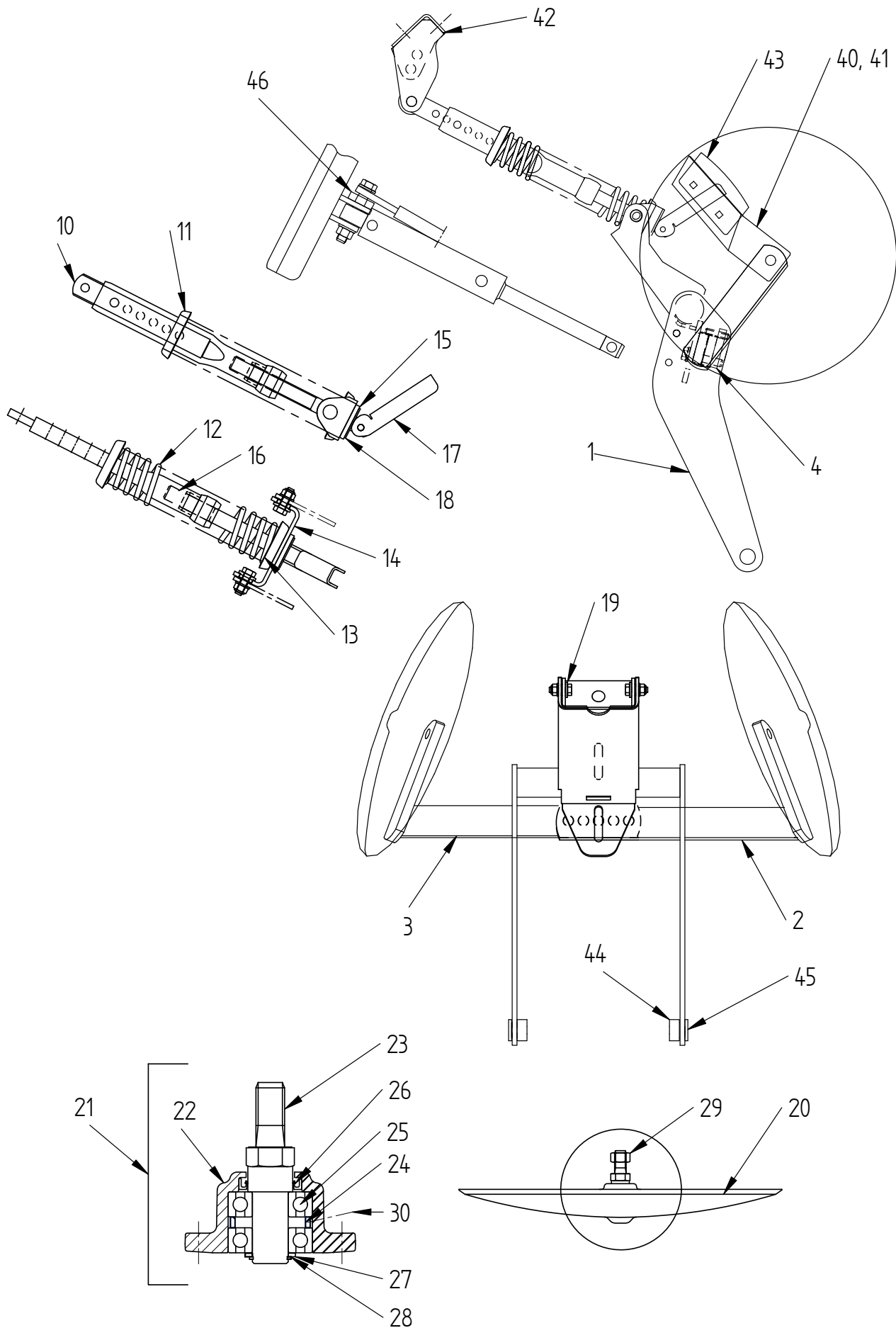


Fig. 22

3742_21

Utgave: Issue:		Redskap: Implement:			
1		POTETSETTER UP3742 POTATO PLANTER UP3742			
Dato: Date:		Enhet: Unit:		Fig: 22	
06-08		RULLESKJÆRENHET COVERING DISK ROW UNIT			
Ref. No.	Delennr. Part nr.	Ant. Qty.	Gjenstand:	Description:	Anmerkning: Note:
1	UH213292	1	REGULERRAMME	ADJUSTMENT FRAME	
2	UH212060-K	1	RULLESKJÆRARM V	DISK ARM LH	
3	UH212061-K	1	RULLESKJÆRARM H	DISK ARM RH	
4	UH214245	1	MUTTERBRIKKE M16-Ø10	NUT WASHER	
	UH866540		SPENNHYLSE 10X40	LOCK PIN 10X40	
	UH813860		SEKSKANTSKRUE M16X60	HEX. BOLT M16X60	
	UH860166		BRIKKE Ø17-Ø30X3	WASHER D17-D30X3	
10	UH212077	1	REGULERSTANG	ADJUSTING ROD	
11	UH212080	1	REGULERHYLSE	ADJUSTING SLEEVE	
12	UH223494	1	TRYKKFJØR Ø7-Ø52X370	TENSION SPRING D7-D52X370	
13	UH212082	1	FJØRANSATSKOPP	COIL SPRING GUIDE	
14	UH212086	1	REGULERHYLSEFESTE	ADJUSTING SLEEVE BRACKET	
15	UH212085	1	GUMMIDEMPER Ø21-Ø50X6	RUBBER CUSHION D21-D50X6	
16	UH212084	1	STILLSTAG M20	ADJUSTING SCREW M20	
17	UH212087	1	HÅNDGRPEP	HANDLE	
	UH813435		SEKSKANTSKRUE M8X35	SEKSKANTSKRUE M8X35	
	UH852158		NYLOCKMUTTER M8	NYLOCK NUT M8	
	UH867086		RØRPINNE Ø10X40XØ36	PIN D10XD40XD36	
18	UH258683	1	BRIKKE Ø21.5-Ø45X2	WASHER D21.5-D45X2	
19	UH255866	2	BØSSING Ø10.4X10-Ø19/7	WASHER D10.4X10-D19/7	
	UH813530		SEKSKANTSKRUEM10X30	HEX. BOLT M10X30	
	UH860160		BRIKKE Ø10.5-Ø21X2	WASHER Ø10.5-Ø21X2	
	UH852160		NYLOCKMUTTER M10	NYLOCK NUT M10	
20	UH271250	1	RULLESKJÆRPLATE 450	DISC 450	
21	UH271252	1	KULELAGERNAV	BALL BEARING HUB	
22	UH271253	1	BOSS	BOSS	
23	UH271254	1	AKSEL	SHAFT	
24	UH271255	1	AVSTANDSRING	SPACER	
25	UH870720	2	KULELAGER 6204	BALL BEARING 6204	
26	UH871254	1	TETNINGSRING 2535/7	OIL SEAL 25357	
27	UH868604	1	STØTTERING 20X28X2.0	SUPPORT RING 20X28X2.0	
28	UH868420	1	LÅSERING UTV. A20X1.2	CIRCLIP A20X1.2	
29	UH850166	1	SEKSKANTMUTTER M16	HEX. NUT M16	
30	UH873540	1	SMØRENIPPEL M6 RETT	GREASE NIPPLE M6 STRAIGHT	
40	UH214226	1	RULLESKJÆRAVSKRAPER V.	SCRAPER LH	
41	UH214227	1	RULLESKJÆRAVSKRAPER H.	SCRAPER RH	
42	UH213085	1	OPPHENGSFESTE V.	SUSPENSION BRACKET LH	
43	UH214229	2	AVSKRAPERPLATE	ATTACHING BAR	
	UH821416	4	LÅSESKRUE M8X16	CARRIAGE BOLT M8X16	
	UH860158	4	BRIKKE Ø8.4-Ø17X1.6	WASHER D8.4-D17X1.6	
	UH850158	4	SEKSKANTMUTTER M8	HEX. NUT M8	
44	UH412720	2	BØSSING Ø12.5X25.5-Ø25X9	BUSHING D12.5X25.5-D25X9	
45	UH228577	2	BRIKKE Ø13.5-Ø35X5	WASHER D13.5-D35X5	
	UH813650		SEKSKANTSKRUE M12X50	HEX. BOLT M12X50	

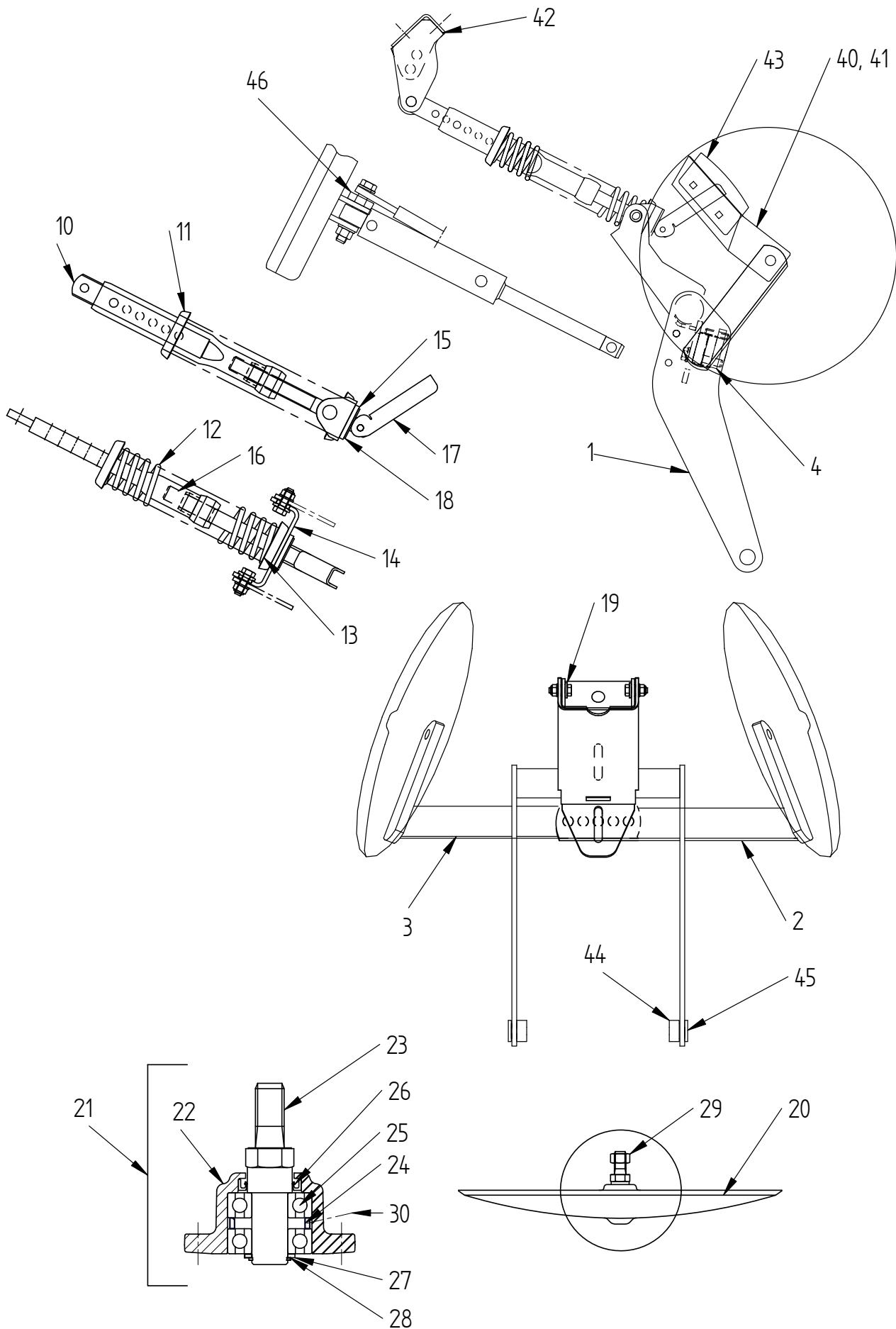


Fig. 22

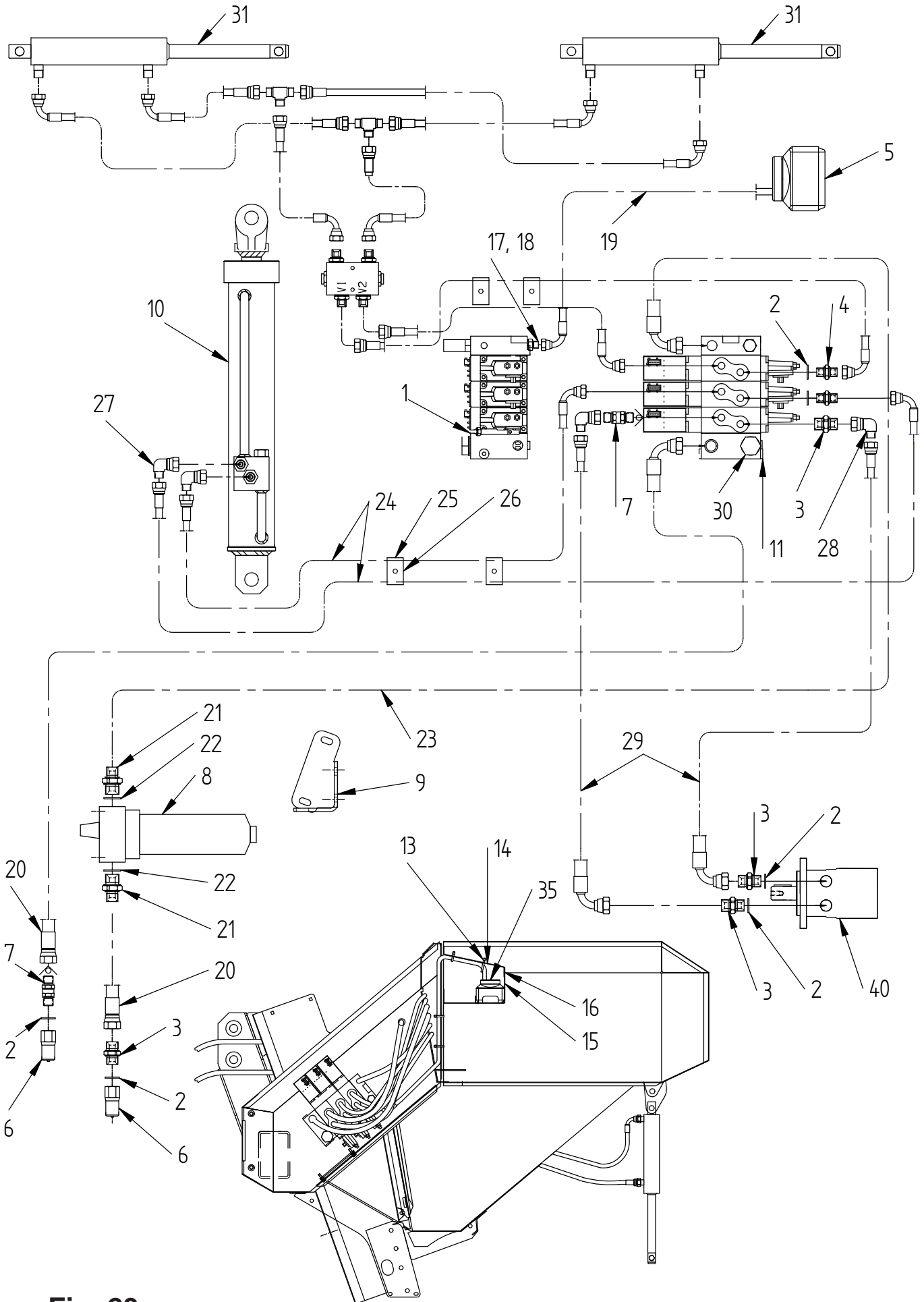


Fig. 23

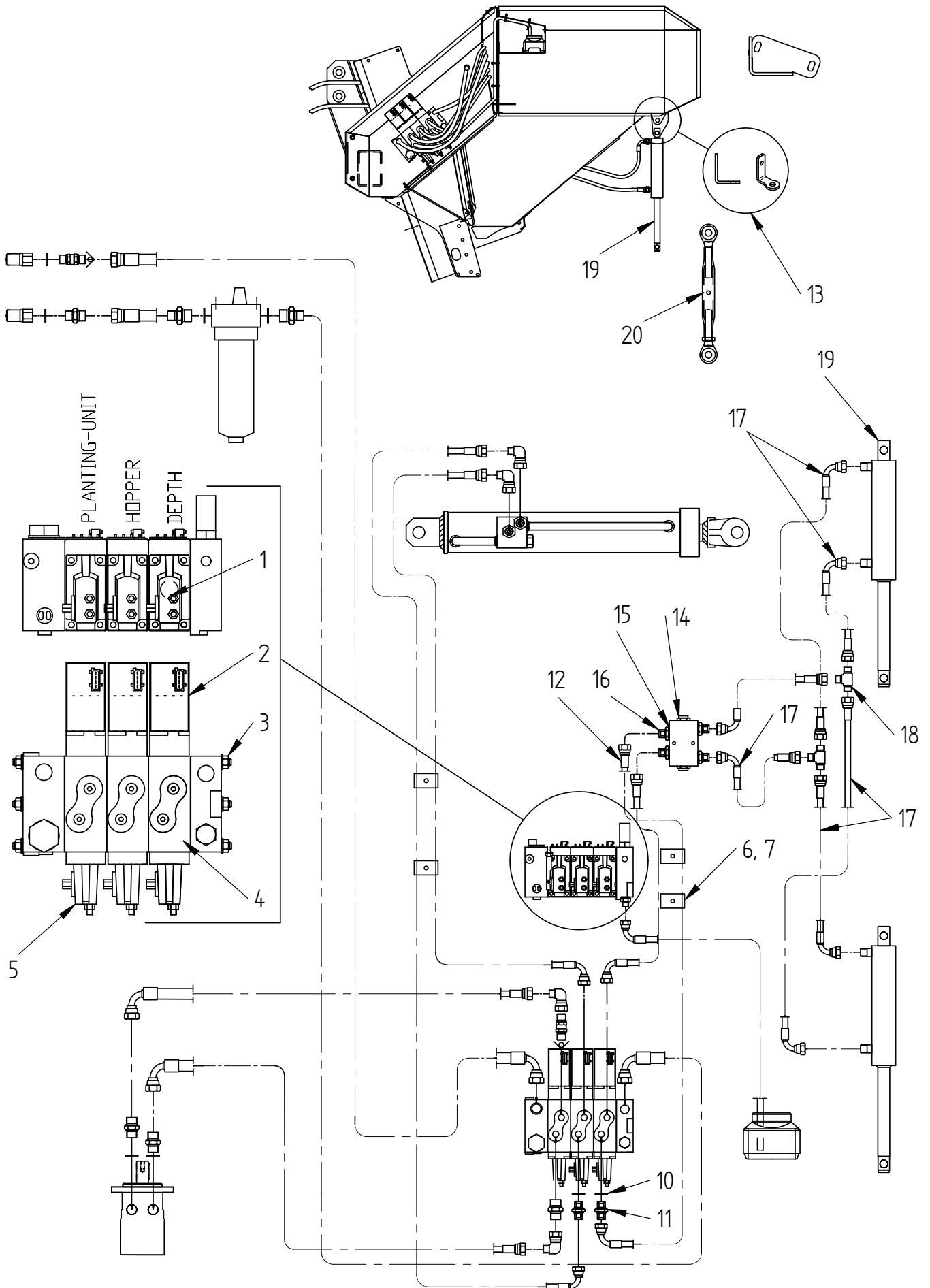


Fig. 24

3742_22

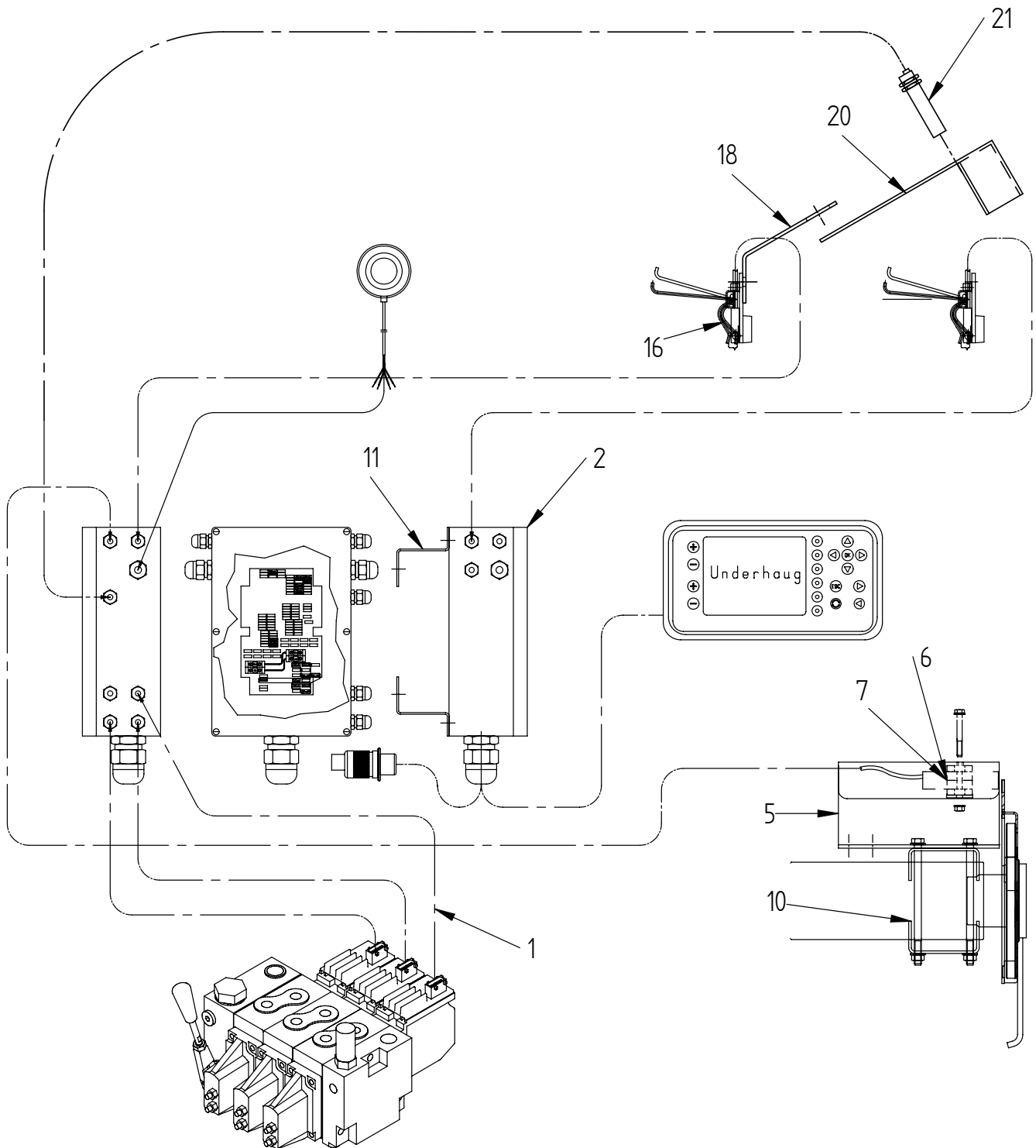


Fig. 25

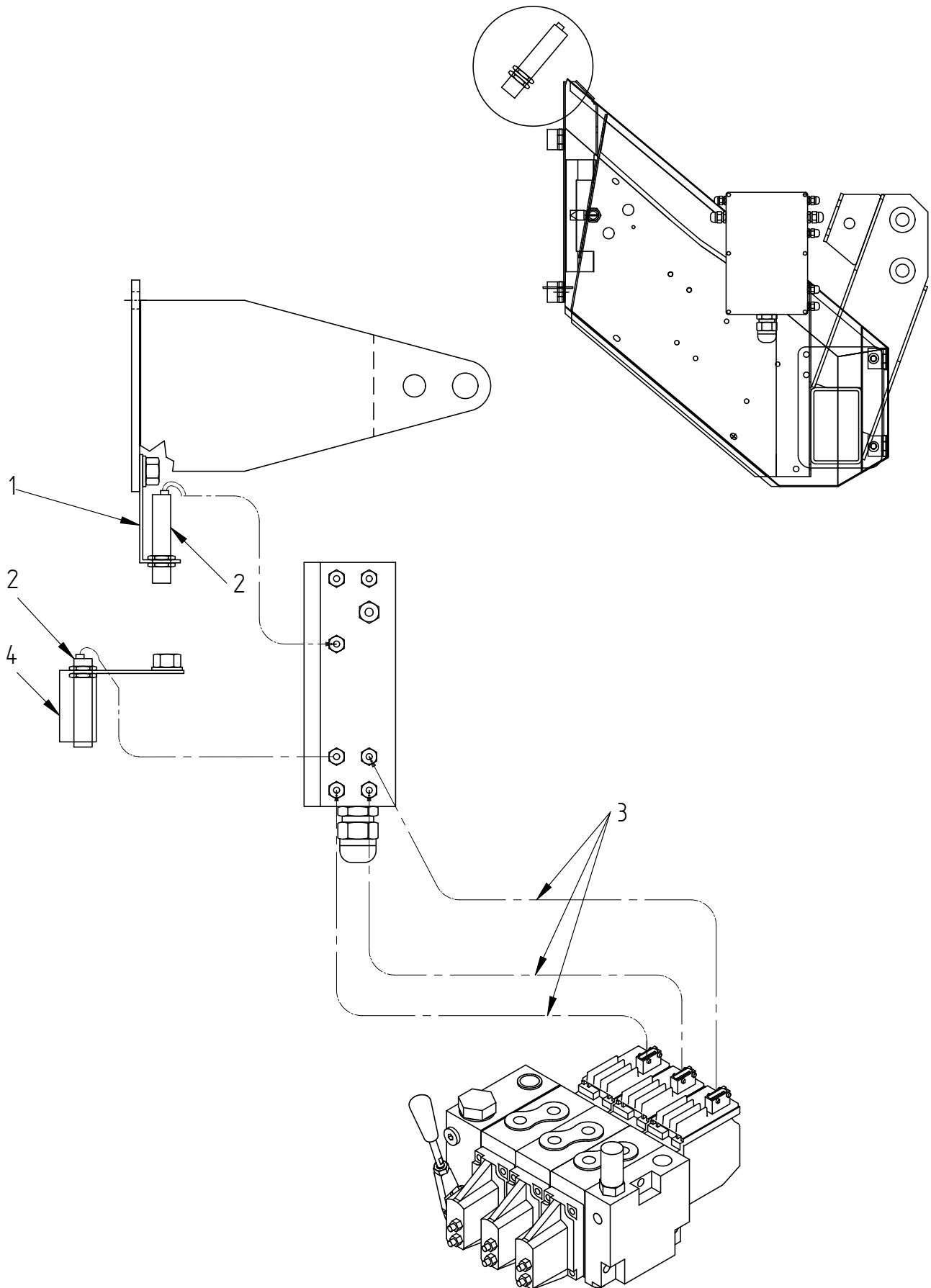
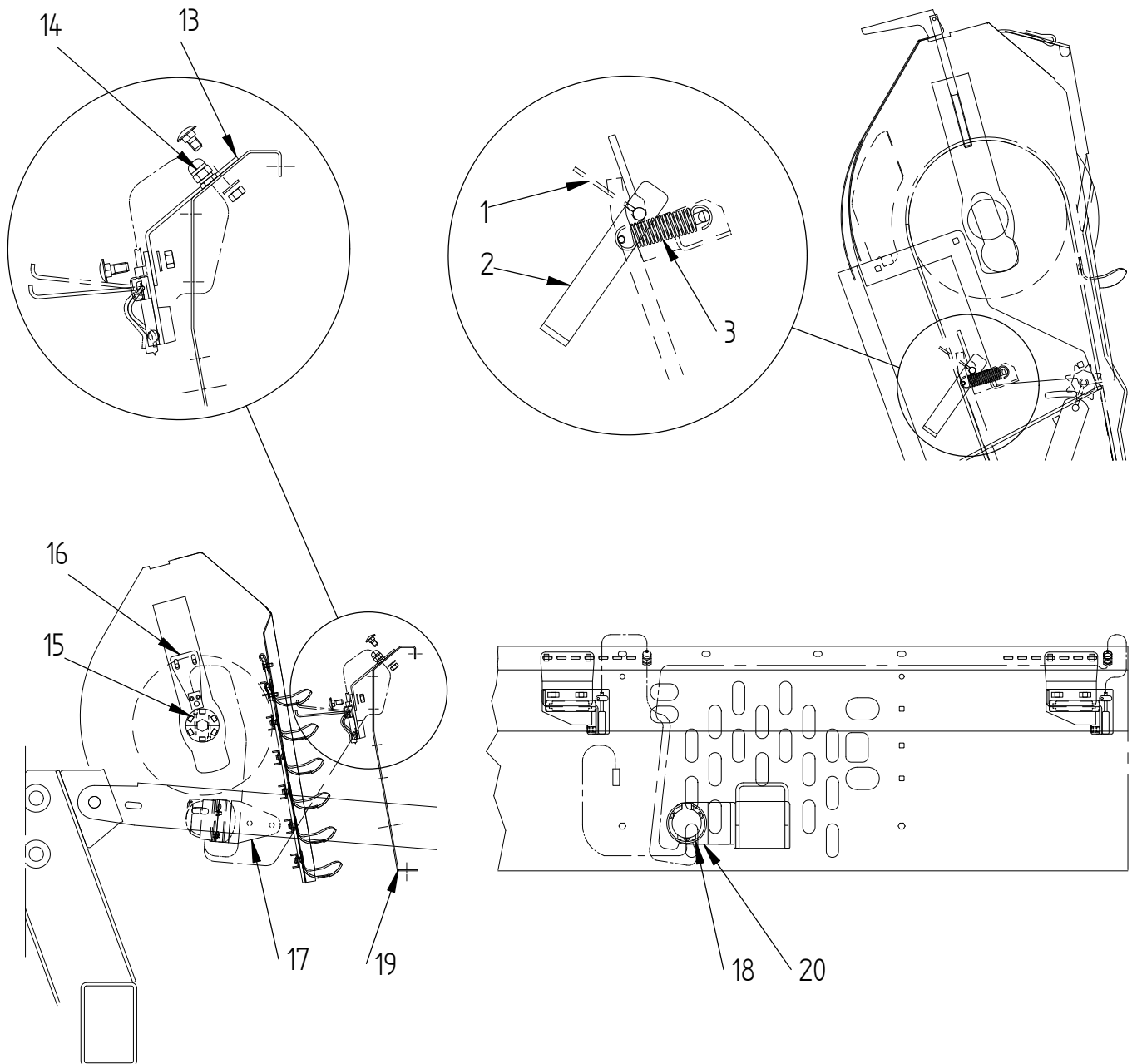


Fig. 26

**Fig. 27**

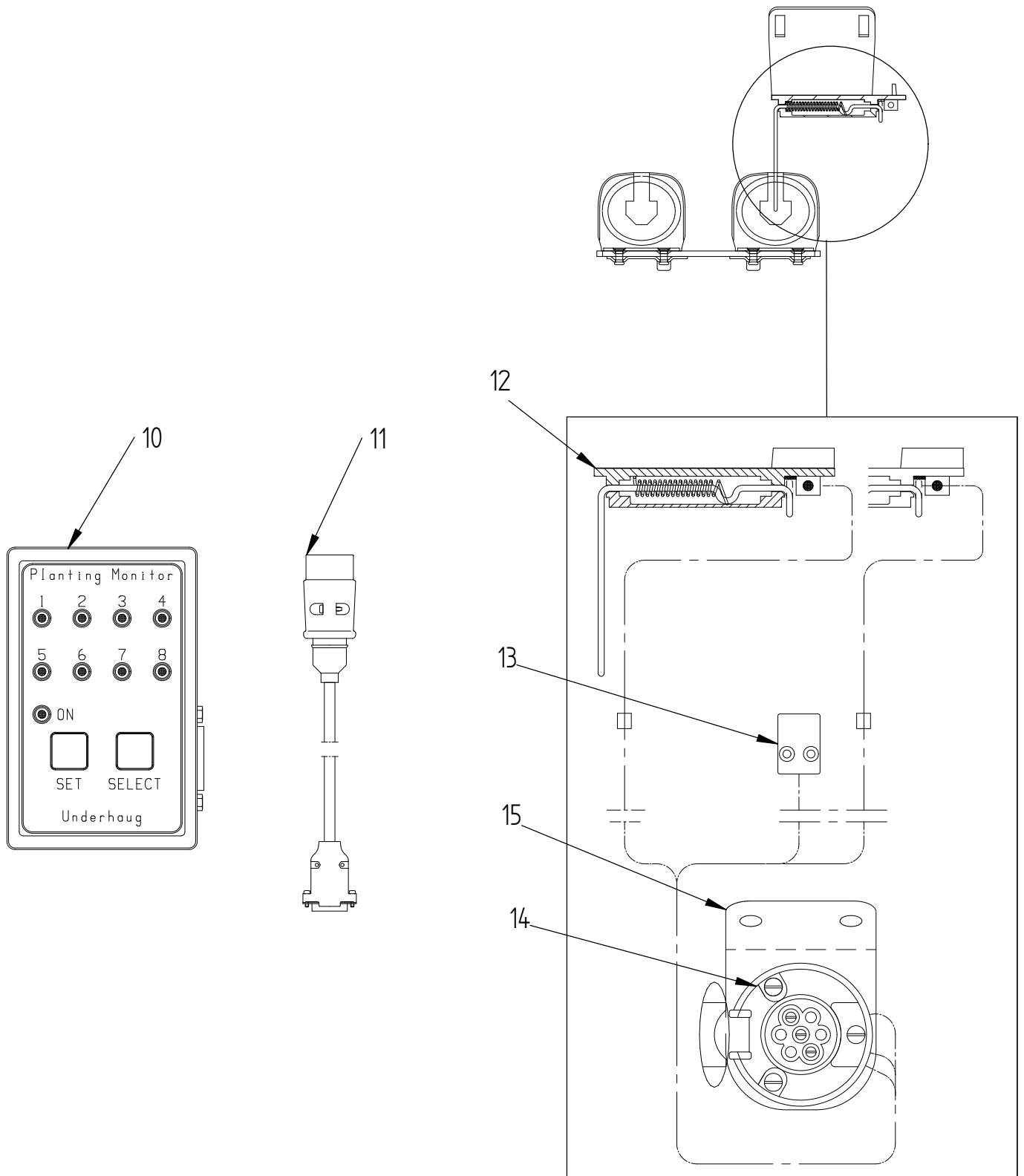


Fig. 28

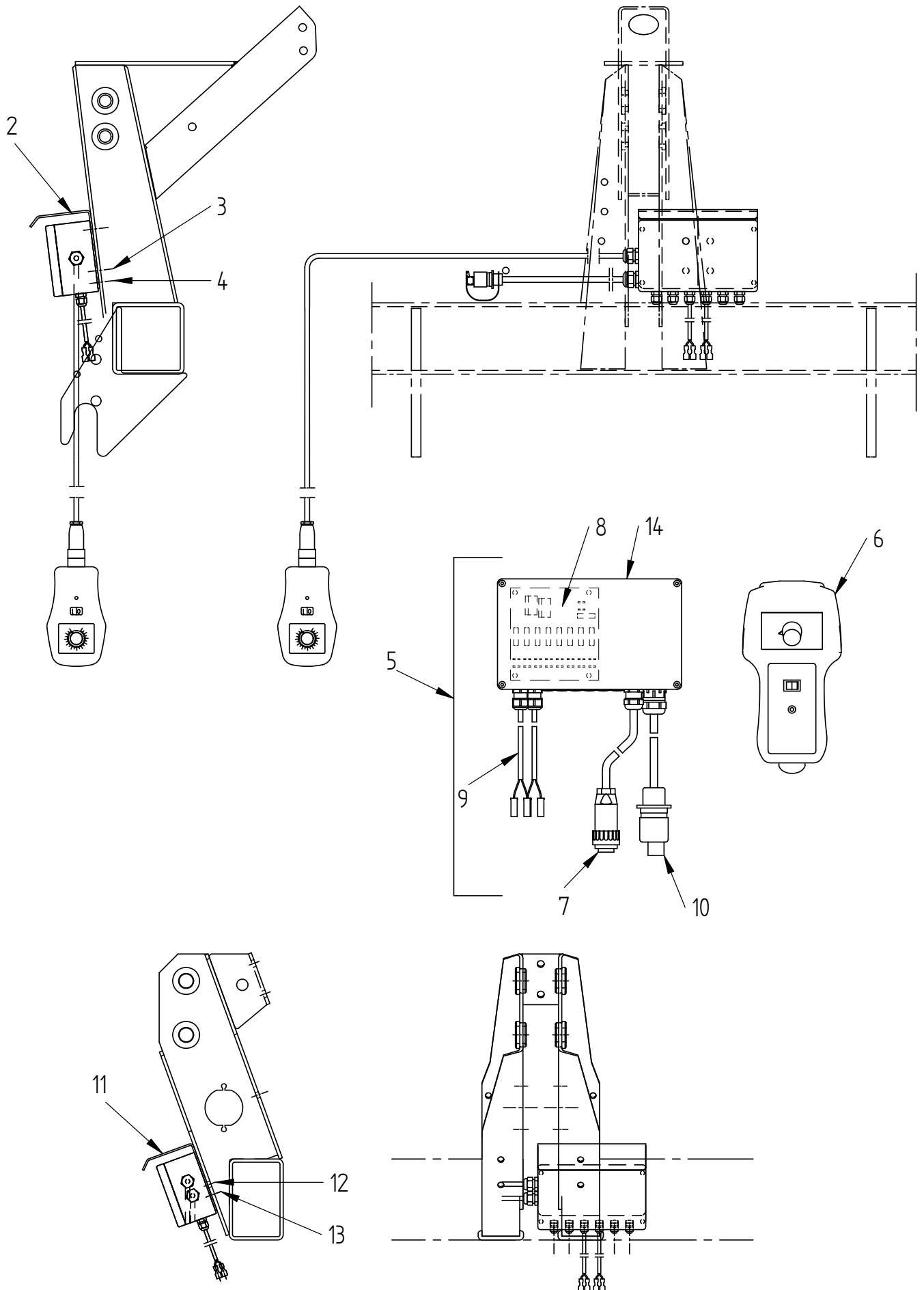
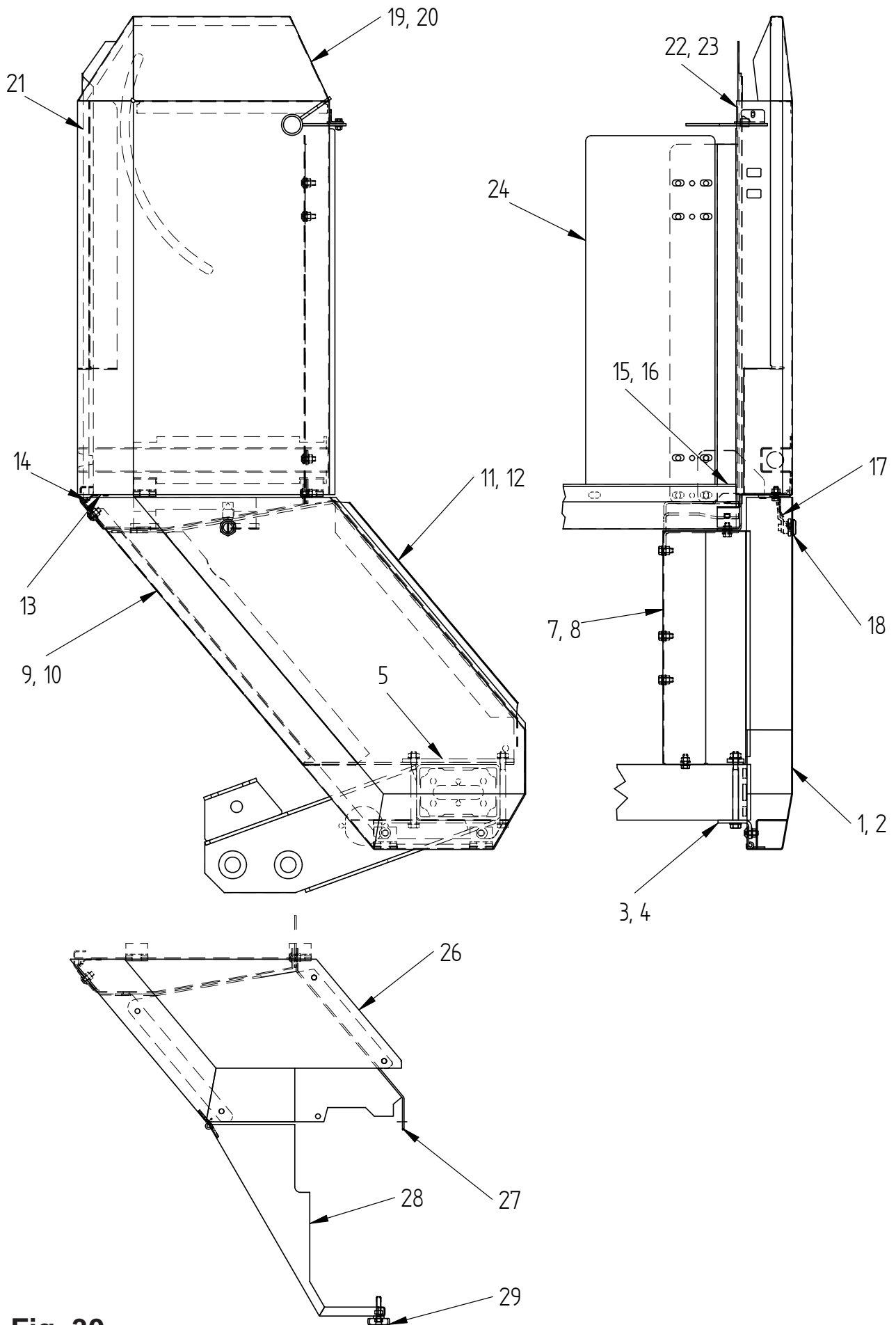
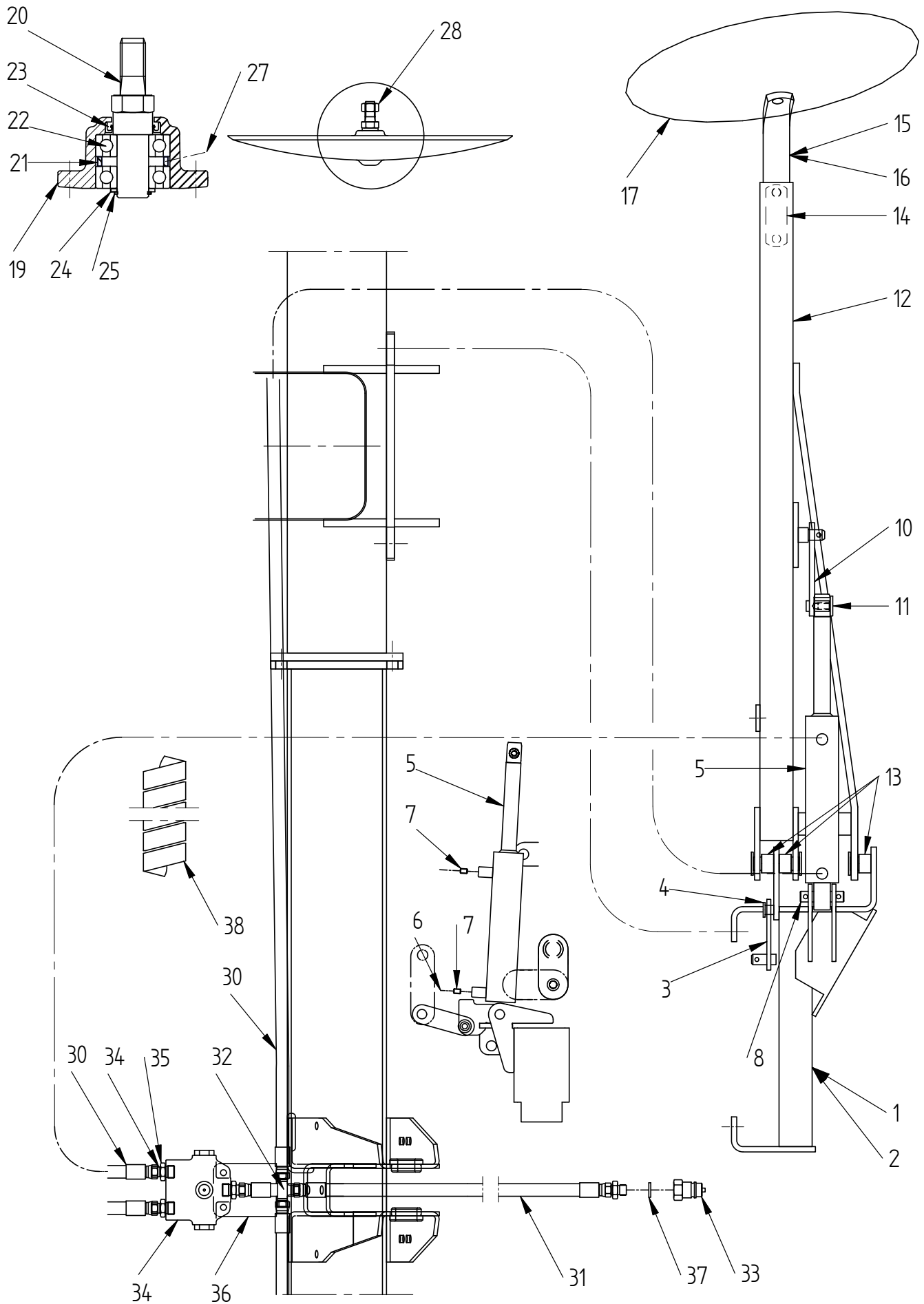


Fig. 29

Utgave: Issue: 1		Redskap: POTETSETTER UP3742 Implement: POTATO PLANTER UP3742			
Dato: Date: 06-08		Enhet: Unit: STRØMFORSYNING - MOTORKONTR. POWERSUPPLY - MOTOR CONTROL			
Ref. No.	Delenr. Part nr.	Ant. Qty.	Gjenstand:	Description:	Anmerkning: Note:
			STRØMFORS. BELTESKAKER	POWERSUPPLY CUPBELT	
2	UH213556	1	FESTE FOR EL.BOKS	BRACKET FOR ELECTRIC BOX	
3	UH813525	2	SEKSKANTSKRUE M10X25	HEX. BOLT M10X25	
3	UH860160	2	BRIKKE Ø10.5-Ø21X2	WASHER Ø10.5-Ø21X2	
3	UH852160	2	NYLOCKMUTTER M10	NYLOCK NUT M10	
4	UH837270	4	PANSKRUE KRYSSPOR M5X20	PAN HEAD BOLT M5X20	
4	UH860152	4	BRIKKE Ø5.3-Ø15X1.6	WASHER D5-D17X1.25	
4	UH852155	4	NYLOCKMUTTER M5	NYLOCK NUT M5	
5	UH210876	1	STRØMFORSYNING EL. BELTESK.	POWER SUPPLY BELT SHAKING	
6	UH210877	1	BETJENINGSBOKS	OPERATING CABLE	
7	UH210878	1	CAN KABEL	CAN CABLE	
8	UH210874	1	PRINTKORT EL.BELTESAKING	PRINTCARD . BELTSHAKING	
9	UH210873	1	LEDNING 40 CM EL. BELTESK.	WIRE 40 CM	
10	UH210823	1	BATTERIKABEL L=6 M	BATTERY CABLE L=6M	
			MOTORKONTROLL	MOTOR CONTROL	
11	UH213556	1	FESTE FOR EL.BOKS	BRACKET FOR ELECTRIC BOX	
12	UH813525	2	SEKSKANTSKRUE M10X25	HEX. BOLT M10X25	
12	UH860160	2	BRIKKE Ø10.5-Ø21X2	WASHER Ø10.5-Ø21X2	
12	UH852160	2	NYLOCKMUTTER M10	NYLOCK NUT M10	
13	UH837270	4	PANSKRUE KRYSSPOR M5X20	PAN HEAD BOLT M5X20	
13	UH860152	4	BRIKKE Ø5.3-Ø15X1.6	WASHER D5-D17X1.25	
13	UH852155	4	NYLOCKMUTTER M5	NYLOCK NUT M5	
14	UH210871	1	MOTORKONTROLL EL.BELTSK.	EL. SHAKING MOTOR CONTROL	

**Fig. 30**

3742_24



Utgave: Issue:		Redskap: Implement:			
1		POTETSETTER UP3742 POTATO PLANTER UP3742			
Dato: Date:		Enhet: Unit:			
06-08		MARKØR MARKER			
Ref. No.	Delenr. Part nr.	Ant. Qty.	Gjenstand:	Description:	Anmerkning: Note:
1	UH213315	1	MARKØRRAMMEFESTE V.	MARKER BRACKET LH	
2	UH213316	1	MARKØRRAMMEFESTE H.	MARKER BRACKET RH	
3	UH213342	1	LÅSELENKE	LOCKING LINK	
4	UH211769	1	BØSSING Ø8,4x16-Ø13,8/13	BUSHING D8,4x16-D13,8/13	
	UH813435		SEKSKANTSKRUE M8X35	HEX. BOLT M8X35	
	UH860158		BRIKKE Ø8.4-Ø17X1.6	WASHER D8.4-D17X1.6	
	UH852158		NYLOCKMUTTER M8	NYLOCK NUT M8	
	UH867056		RINGPINNE Ø6	RING PIN 6	
	UH860166		BRIKKE Ø17-Ø30X3	WASHER D17-D30X3	
5	UH310089	1	SYLINDER DV Ø40/Ø25X300+180	CYLINDER DA D40/D25X300+180	
	UH310089		SYLINDER PAKN.SETT Ø40/Ø25	CYLINDER SEAL KIT D40/d25	
6	UH410785	1	ANSATS 3/8"-3/8" BSP	FIRM SWIVEL 3/8" BSP	LH MARKER
7	UH300953	2	STRUPENIPPEL M8 Ø1.0 mm	RESTRICTOR M8 D1.0 MM	
8	UH320247	1	BOLT Ø16-Ø6.4/50/Ø6.4	BOLT D16-D6.4/50/D6.4	
	UH865325		SPLINT 6.3X25	SPLIT PIN 6.3 X 25	
10	UH213333	1	SPORPLATE	PLATE	
11	UH270448	1	BRIKKE Ø11-Ø30X4	WASHER D11-D30X4	
	UH813520	1	SEKSKANTSKRUE M10X20	HEX. BOLT M10X20	
12	UH213336	1	MARKØRRARM SV	MARKER ARM	
13	UH217988	3	LAGERFORING	BEARING LINING	
	UH813660		SEKSKANTSKRUE M12X60	HEX. BOLT M12X60	
	UH813690		SEKSKANTSKRUE M12X90	HEX. BOLT M12X90	
	UH860163		BRIKKE Ø13-Ø24X2.5	WASHER D13-D24X2.5	
	UH852162		NYLOCKMUTTER M12	NYLOCK NUT M12	
14	UH255889	1	LASK 32X8-M12/70/M12	CLAMP 32X10-M12/70/M12	
	UH813635		SEKSKANTSKRUE M12X35	HEX. BOLT M12X35	
15	UH217992	1	MARKØRSTANG V.	MARKER STAY LH	
16	UH217993		MARKØRSTANG H.	MARKER STAY RH	
17	UH271250	1	RULLESKJÆRPLATE 450	DISC 450	
18	UH271252	1	KULELAGERNAV	BALL BEARING	
19	UH271253	1	BOSS	BOSS	
20	UH271254	1	AKSEL	SHAFT	
21	UH271255	1	AVSTANDSRING	SPACER	
22	UH870720	2	KULELAGER 6204	BALL BEARING 6204	
23	UH871254	1	TETNINGSRING 2535/7	OIL SEAL 25357	
24	UH868604	1	STØTTERING 20X28X2	SUPPORT RING 20X28X2.0	
25	UH868420	1	LÅSERING UTV. A20X1.2	CIRCLIP A20X1.2	
26	UH850166	1	SEKSKANTMUTTER M16	HEX. NUT M16	
27	UH873540	1	SMØRENIPPEL M6 RETT	GREASE NIPPLE M6 STRAIGHT	
28	UH850166		SEKSKANTMUTTER M16-8	HEX. NUT M16	
30	UH213311	4	HYD.SL.1/4" 3300 I06I06-90G	HYDR. HOSE 1/4" 3300	
31	UH451998	2	HYD.SL.3/8" 1600 U08I06-0G	HYDR. HOSE 3/8" 1600	
32	UH410784	1	T-KOPLING 3/8" BSP UUU	T. CONNECTION 3/8" BSP	
	UH410724	1	STØVBESKYTTER BLÅ	DUST CAP BLUE	

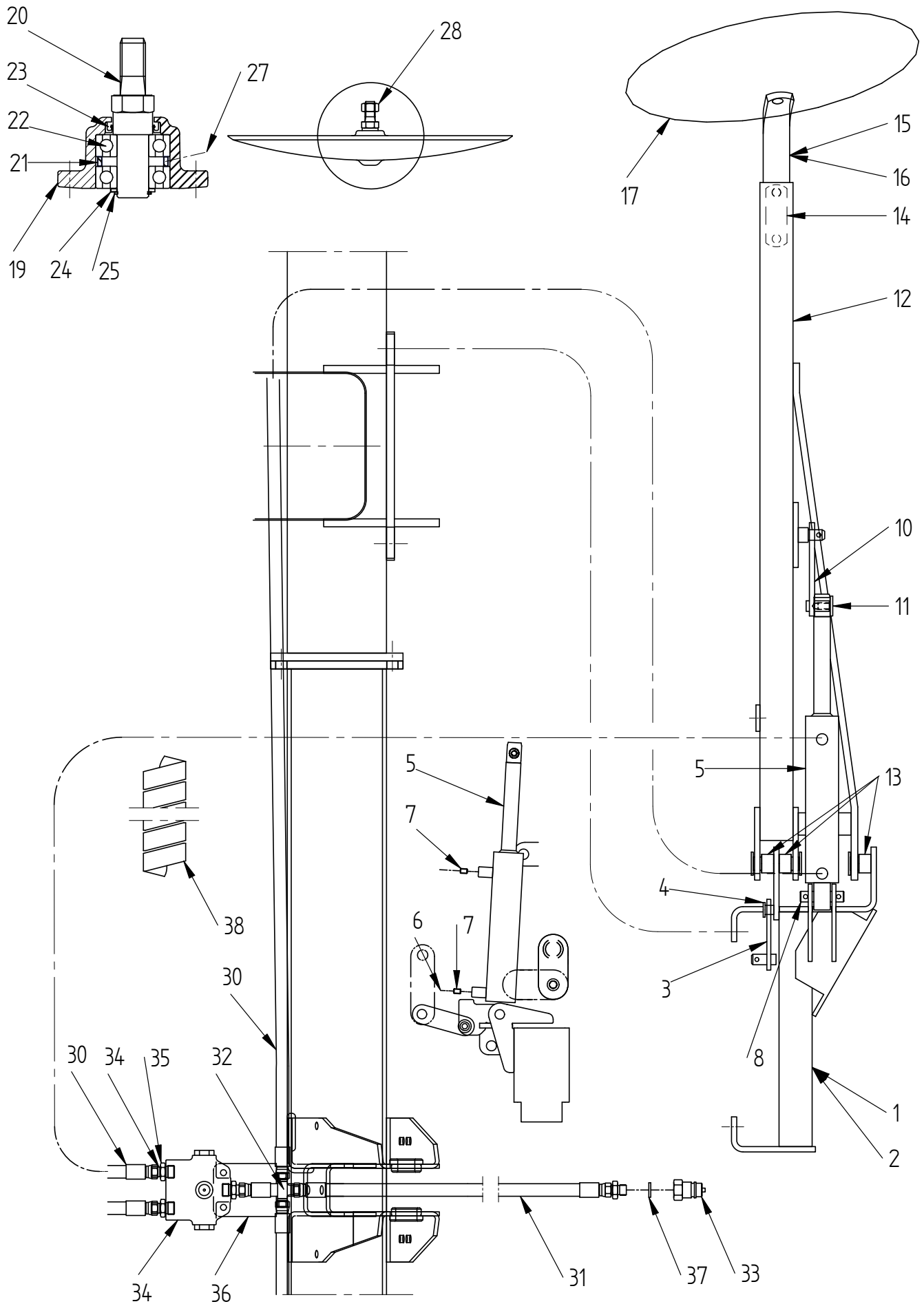


Fig. 31

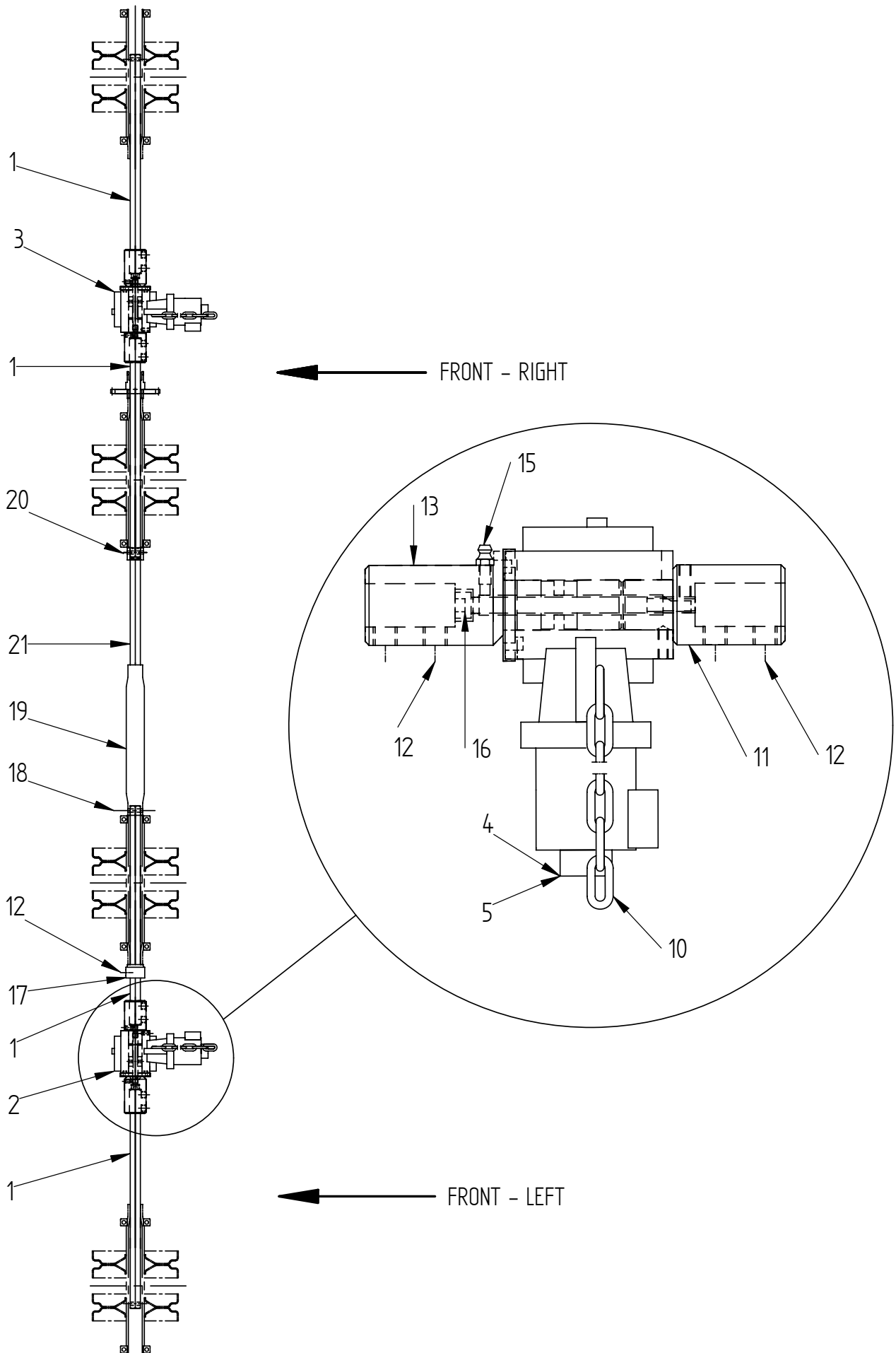


Fig. 32

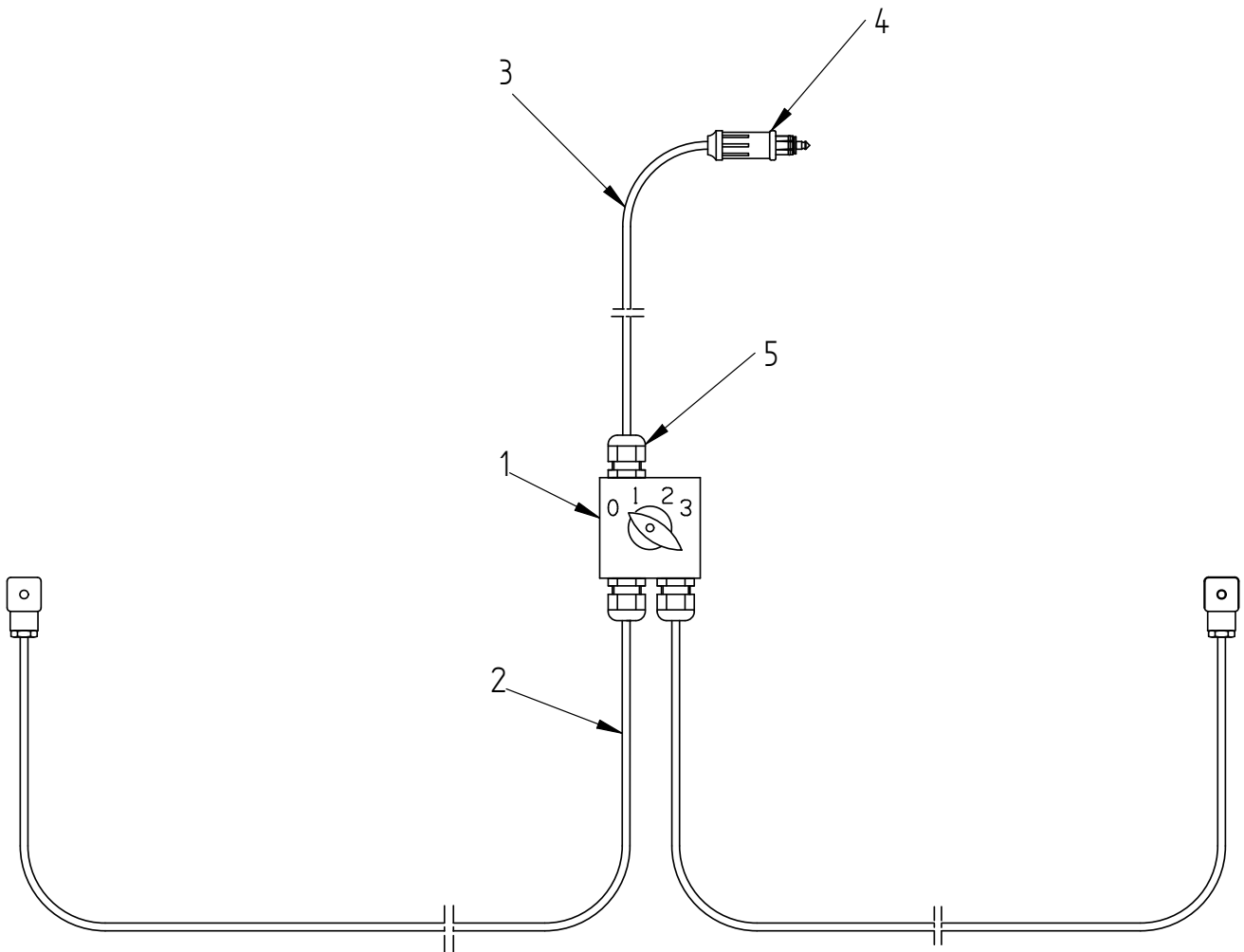


Fig. 33

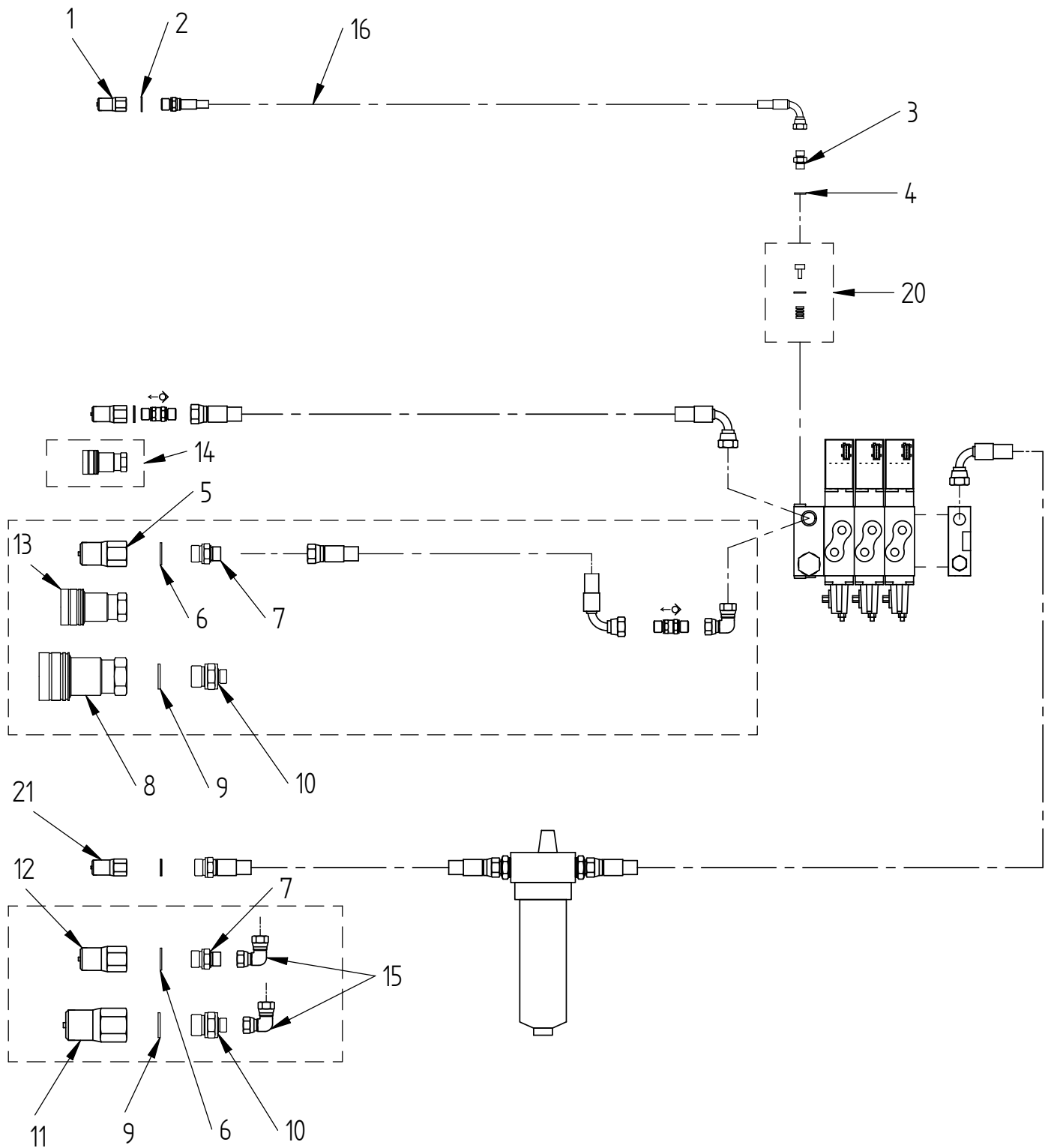


Fig. 34

