

Spare parts list

UP3745-60-80

4 - 6 - 8 rows

Potato planter

UH124440



UP3745



UP3760



UP3780

Spare parts list

UP3745-60-80

4 - 6 - 8 rads

Potetsetter

Reservedelsliste

UP3745-60-80

4 - 6 - 8 rads

Potato planter

Valid from serial no./Gyldig fra serienr.:

Please note the following when ordering spare parts:

It should always be referred to serial number. This is found on the identification plate.

The spare part number and description should be used.

The reference number is used only to help identifying the spare part on the illustration.

Ved bestilling av deler må en merke seg følgende:

Oppgi alltid serienummer. Dette står på identifikasjonsskiltet.

Oppgi delenummer og benevnelse.

Referansenummeret brukes bare for å sammenholde deletegning og betegnelse i lista og skal derfor ikke oppgis.

Supplied by:

The logo for tks, consisting of the lowercase letters 'tks' in a bold, stylized, sans-serif font. The 't' and 'k' are connected, and the 's' is separate.

Innhold	Content	Fig.	Side/Page
DRAG	DRAWBAR	1	6
RAMME UP3745	FRAME UP3745	2	8
RAMME UP3760-80	FRAME UP3760-80	3	10
BAKRE TVERR-RAMME UP3745	REAR CROSSFRAME UP3745	4	12
BAKRE TVERR-RAMME UP3760-80	REAR CROSSFRAME UP3760-80	5	14
HJULOPPHENG UP3745-60	WHEEL SUSPENSION UP3745-60	6	16
SETTERDRIFT UP3745	PLANTER DRIVE UP3745	7	18
SETTERDRIFT UP3760-80	PLANTER DRIVE UP3760-80	8	20
SKAKEMEKANISME	AGITATION	9	22
VIPPETANK	HOPPER	10	24
FRONTTANK	FRONT-HOPPER	11	26
HYDRAULISK OPPLEGG - HJUL	HYDRAULIC LAYOUT - WHEEL	12	28
HYDRAULISK OPPLEGG	HYDRAULIC LAYOUT	13	30
EL. STYRING	EL. CONTROL	14	34
STRUPEPLATER	CHOKE PLATES	15	36
SETTESKJÆR HD	IMPACT FURROW OPENER	16	38
FLYTENDE SETTESKJÆR	FLOATING FURROW OPENER	17	40
DYBDEHJUL	DEPTH WHEEL	18	42
SETTEENHET MEK. SKAKING	PLANTING UNIT MECH. AGITATION	19	44
SETTEENHET EL. SKAKING	PLANTING UNIT EL. AGITATION	20	46
KOPPEBELTE	CUP BELT	21	48
RULLESKJÆRENHET EKSTRA	COVERING DISK ROW UNIT EXTRA	22	50
MARKØR DV EKSTRA	MARKER DA EXTRA	23	52
HYDR. FOR MARKØR DV EKSTRA	HYDR. FOR MARKER DA EXTRA	24	54
HYDR. FOR MARKØR DA EKSTRA	HYDR. FOR MARKER DA EXTRA	25	56
RADGJØDSLER EKSTRA (1)	FERTILIZER EXTRA (1)	26	58
RADGJØDSLER EKSTRA (2)	FERTILIZER EXTRA (2)	27	60
RADGJØDSLER EKSTRA (3)	FERTILIZER EXTRA (3)	28	62
RADGJØDSLER EKSTRA (4)	FERTILIZER EXTRA (4)	29	64

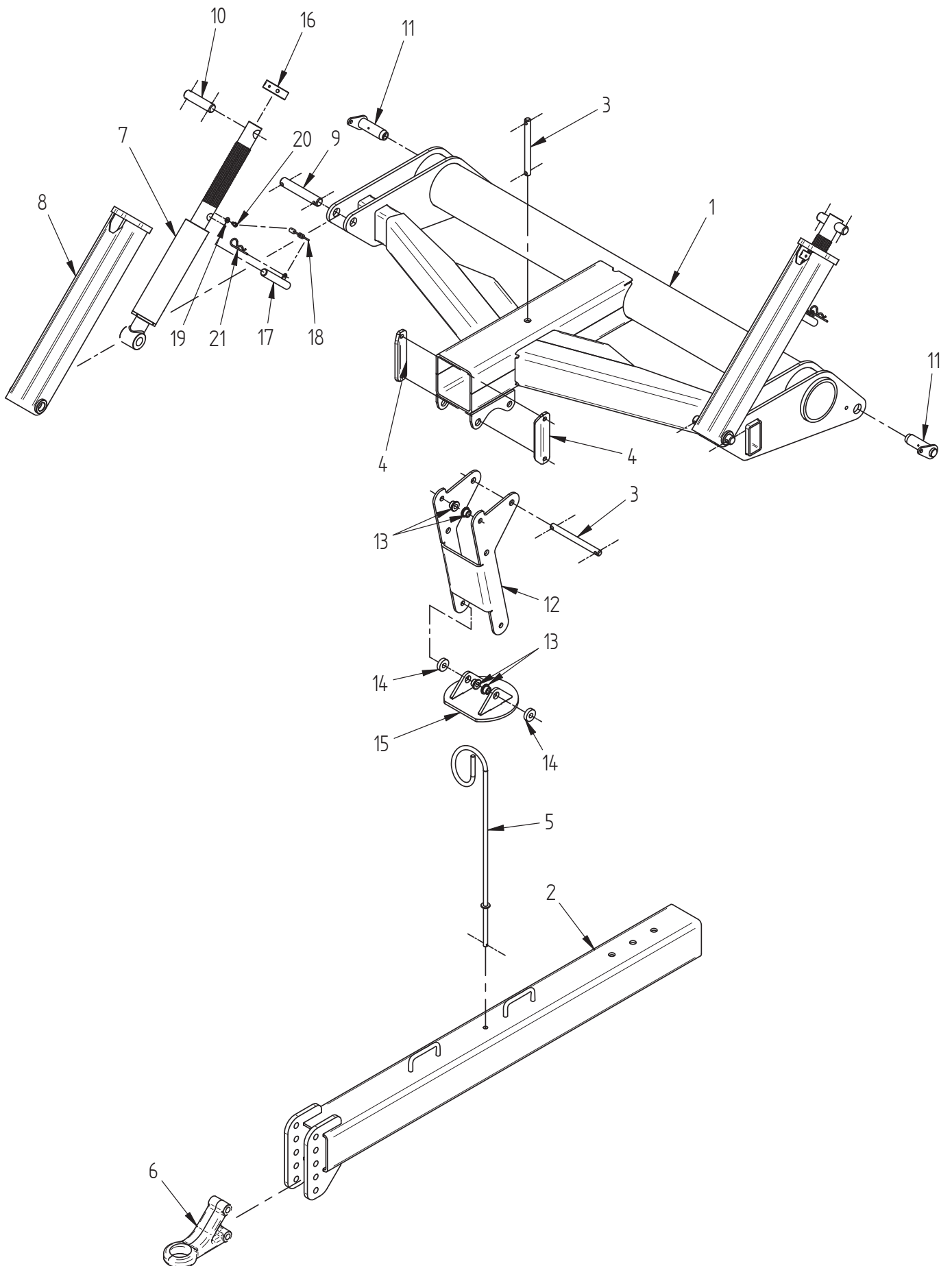


Fig. 1

Utgave: Issue: 1		Redskap: POTETSETTER UP3745-60-80 Implement: POTATO PLANTER UP3745-60-80		Underhaug	
Dato: Date: 03-09		Enhet: Unit: DRAG DRAWBAR			
Ref. No.	Delenr. Part nr.	Ant. Qty.	Gjenstand:	Description:	Anmerkning: Note:
1	UH211305	1	DRAGBOM SV.	DRAWBAR BEAM	
2	UH211315	1	DRAGARM SV.	DRAWBAR ARM	
3	UH211320	1	BOLT Ø20-Ø12/205/Ø12	BOLT Ø20-Ø12/205/Ø12	
4	UH211322	2	KLEMLASK	CLAMP	
5	UH211328	2	SLANGEHENGER SV.	HOSE CLAMP	
6	UH330269	1	DRAGØYE	DRAWBAR YOKE	
7	UH211224	1	SYLINDER DV Ø80/Ø50X800+240	CYLINDER DA D80/D50X800+240	
*	UH300835		SYL. PAKN. SETT Ø80/Ø50	CYLINDER SEAL KIT Ø80/Ø50	
8	UH211325	2	SYLINDERSKJERM SV.	CYLINDER GUARD	
9	UH217270	2	BOLT Ø30-Ø12/152/Ø12	BOLT D30-D12/152/D12	
10	UH217271	2	BOLT Ø30-Ø12/100/Ø12	BOLT D30-D12/100/D12	
11	UH211380	2	AKSEL Ø35 SV.	SHAFT D35	
12	UH211331	1	PARKERINGSFOT	PARKING LEG	
13	UH300285	4	BØSSING Ø16.5X18-Ø25/13	BUSHING D16.5X25-D25/13	
14	UH410336	2	BRIKKE Ø17-Ø43X12	WASHER Ø17-Ø43X12	
15	UH211525	1	FOTPLATE SV	BASE-PLATE	
16	UH217136	1	STILLMUTTER	ADJUSTING NUT	
17	UH217260	1	LÅSEBOLT SV.	LOCK BOLT	
18	UH219658	1	KJETTING Ø3-26X104	CHAIN D3-26X104	
19	UH860158	1	BRIKKE Ø8.4-Ø17X1.6 ELZN	WASHER D8.4-D17X1.6	
20	UH813416	1	SEKSKANTSKRUE M8X16	HEX. BOLT M8X16	
21	UH867014	1	FJØRPINNE Ø4.0X75	SPRING PIN D4.0X75	

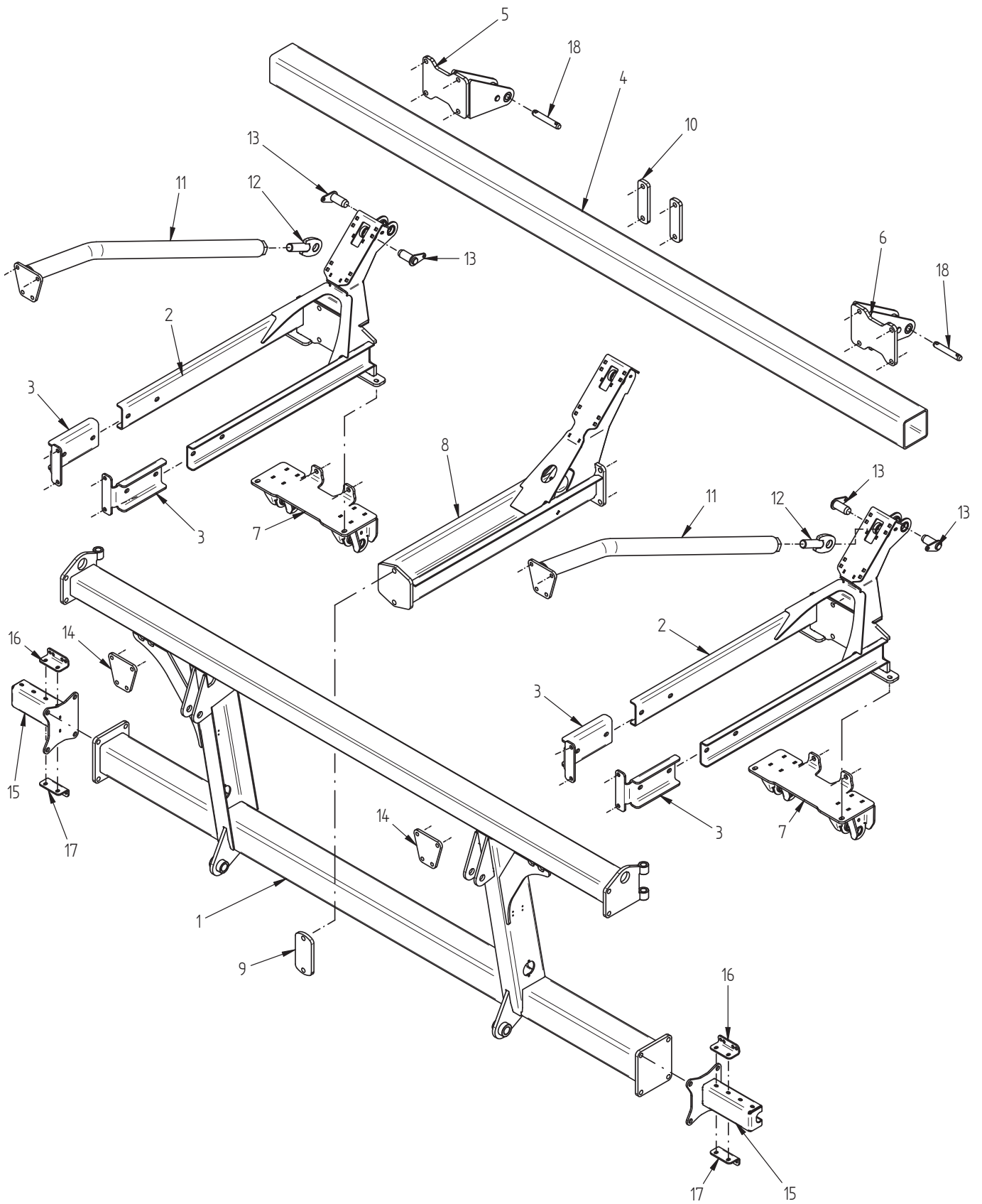


Fig. 2

Utgave: Issue: 1		Redskap: POTETSETTER UP3745 Implement: POTATO PLANTER UP3745			Underhaug	
Dato: Date: 03-09		Enhet: Unit: RAMME FRAME				
Ref. No.	Delenr. Part nr.	Ant. Qty.	Gjenstand:	Description:	Anmerkning: Note:	
1	UH211355	1	MIDTRAMME 6R SV.	CENTRAL FRAME UNIT 3760		
2	UH207530	2	RAMMESEKSJON 3745 BAKRE SV.	FRAME SECTION 3745 REAR		
3	UH207539	4	BOMFESTE	ATTACHMENT		
4	UH207545	1	RAMMERØR BAKRE 3745	REAR FRAME TUBE		
5	UH211500	1	FESTE FOR SYLINDER V. SV.	CYLINDER BRACKET LH		
6	UH211501	1	FESTE FOR SYLINDER H. SV.	CYLINDER BRACKET RH		
7	UH207525	2	HJULARMFESTE 3745 SV.	WHEEL SUSPENSION BRACKET		
8	UH211450	1	RAMMESEKSJON 6R MIDTRE SV.	FRAME SECTION MIDDLE		
9	UH211464	1	FLENS SMAL Ø21	FLANGE NARROW D21		
10	UH212614	2	LASK 60X15-Ø21/171/Ø21	CLAMP 60X16-D21/171/D21		
11	UH211495	2	STAG MIDTRE BØYD SV.	STAY BENDED		
12	UH211430	2	ØRE Ø35-M36 SV.	EAR D35-M36		
13	UH211480	4	AKSEL Ø35 SV.	SHAFT D35		
14	UH211497	2	FLENS TRAPESFORMET	FLANGE TRAPEZOID		
15	UH207540	2	BOMFORLENGER 3745 SV.	BEAM EXTENSION 3745		
16	UH207543	2	FESTEKNEKT ØVRE	SHAFT UPPER		
17	UH207544	2	FESTEKNEKT NEDRE	SHAFT LOWER		
18	UH211505	2	BOLT Ø25-Ø12/126/Ø12	PIN D25-D12/126/D12		

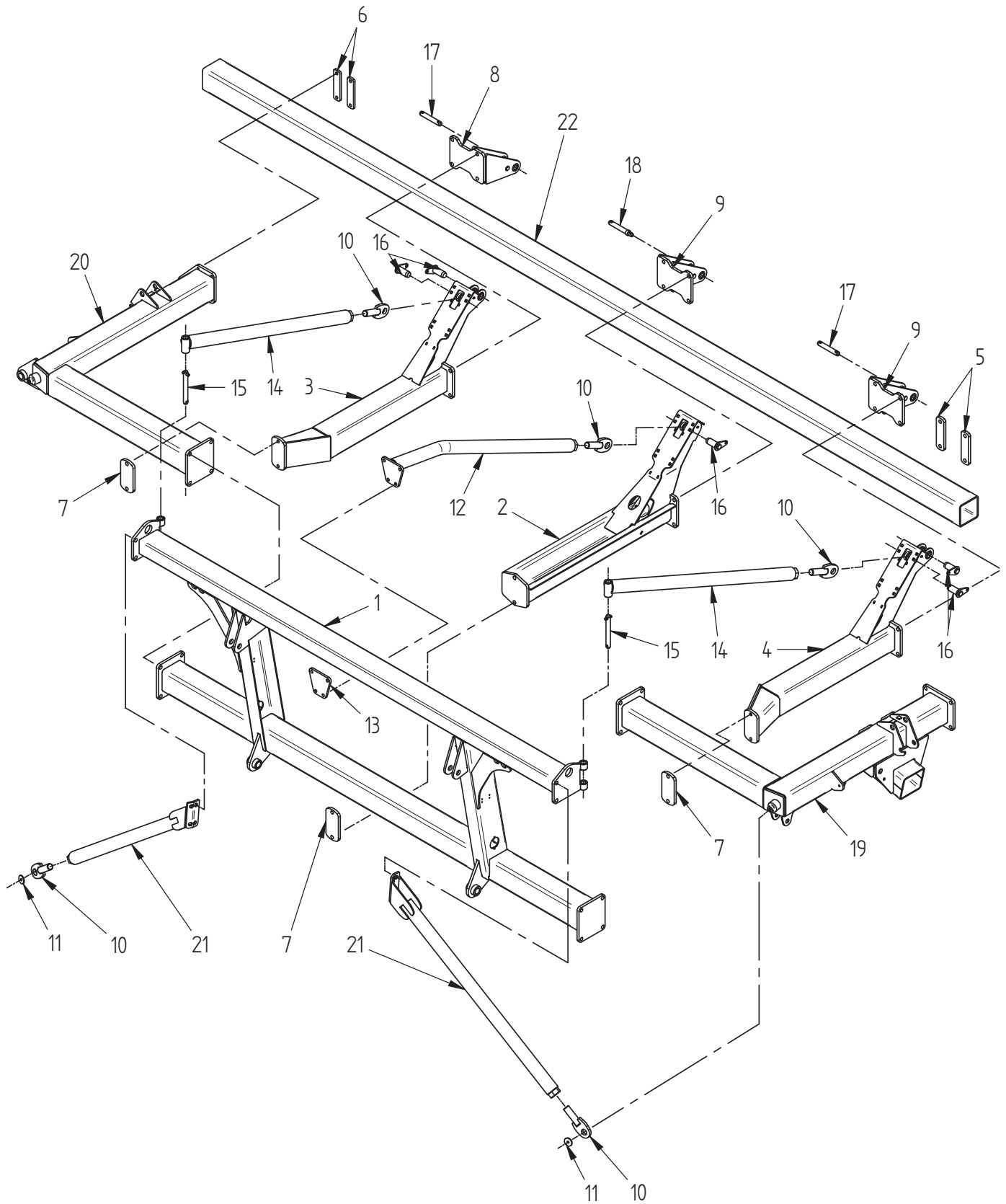


Fig. 3

Utgave: Issue:		1		Redskap: Implement:		POTETSETTER UP3760-80 POTATO PLANTER UP3760-80		Underhaug			
Dato: Date:		03-09		Enhet: Unit:		RAMME FRAME					
Ref. No.		Delenr. Part nr.		Ant. Qty.		Gjenstand:		Description:		Anmerkning: Note:	
1	UH211355	1	MIDTRAMME 6R SV.	CENTRAL FRAME UNIT 3760							
2	UH211450	1	RAMMESEKSJON 3745 BAKRE SV.	FRAME SECTION REAR							
3	UH211452	1	RAMMESEKSJON 6R V. SIDE SV.	FRAME SECTION LH							
4	UH211453	1	RAMMESEKSJON 6R H.SIDE SV.	FRAME SECTION RH							
5	UH212614	2	LASK 60X15-Ø21/171/Ø21	CLAMP 60X16-D21/171/D21							
6	UH210048	2	LASK 50X12 - Ø17/167/Ø17	BRACKET 50X12 - D17/167/D17							
7	UH211464	3	FLENS SMAL Ø21	FLANGE NARROW D21							
8	UH211500	1	FESTE FOR SYLINDER V.SV.	CYLINDER BRACKET LH							
9	UH211501	2	FESTE FOR SYLINDER H.SV.	CYLINDER BRACKET RH							
10	UH211430	2	ØRE Ø35-M36 SV.	EAR D35-M36							
11	UH219342	2	BRIKKE Ø13-Ø50.5X5	WASHER D13-D50.5X5							
12	UH211495	1	STAG MIDTRE BØYD SV.	STAY MIDDLE W/BEND							
13	UH211497	1	FLENS TRAPESFORMET	FLANGE TRAPEZOID							
14	UH211490	2	STAG SIDE SV.	STAY SIDE							
15	UH211377	2	BOLT Ø25-Ø12/190/Ø12	PIN D25-D12/190/D12							
16	UH211480	5	AKSEL Ø35 SV.	SHAFT D35							
17	UH211505	2	BOLT Ø25-Ø12/126/Ø12	PIN D25-D12/126/D12							
18	UH211506	1	BOLT M/HODE Ø25X123	BOLT W/HEAD D25X123							
19a	UH211388	1	RAMMESIDE 6R V. SV.	FRAME 6R LH-SIDE					6R		
20a	UH211389	1	RAMMESIDE 6R H. SV.	FRAME 6R RH-SIDE					6R		
21a	UH211411	2	SIDESTAG 6R SV.	SIDESTAY 6R					6R		
22a	UH211441	1	RAMMERØR BAKRE 4KT. 6R	FRAME SECTION TUBE REAR 6R					6R		
19b	UH211400	1	RAMMESIDE 8R V. SV.	FRAME 8R LH-SIDE					8R		
20b	UH211401	1	RAMMESIDE 8R H. SV.	FRAME 8R RH-SIDE					8R		
21b	UH211412	2	SIDESTAG 8R SV.	STAY 8R					8R		
22b	UH211442	1	RAMMERØR BAKRE 4KT. 8R	FRAME SECTION TUBE REAR 8R					8R		

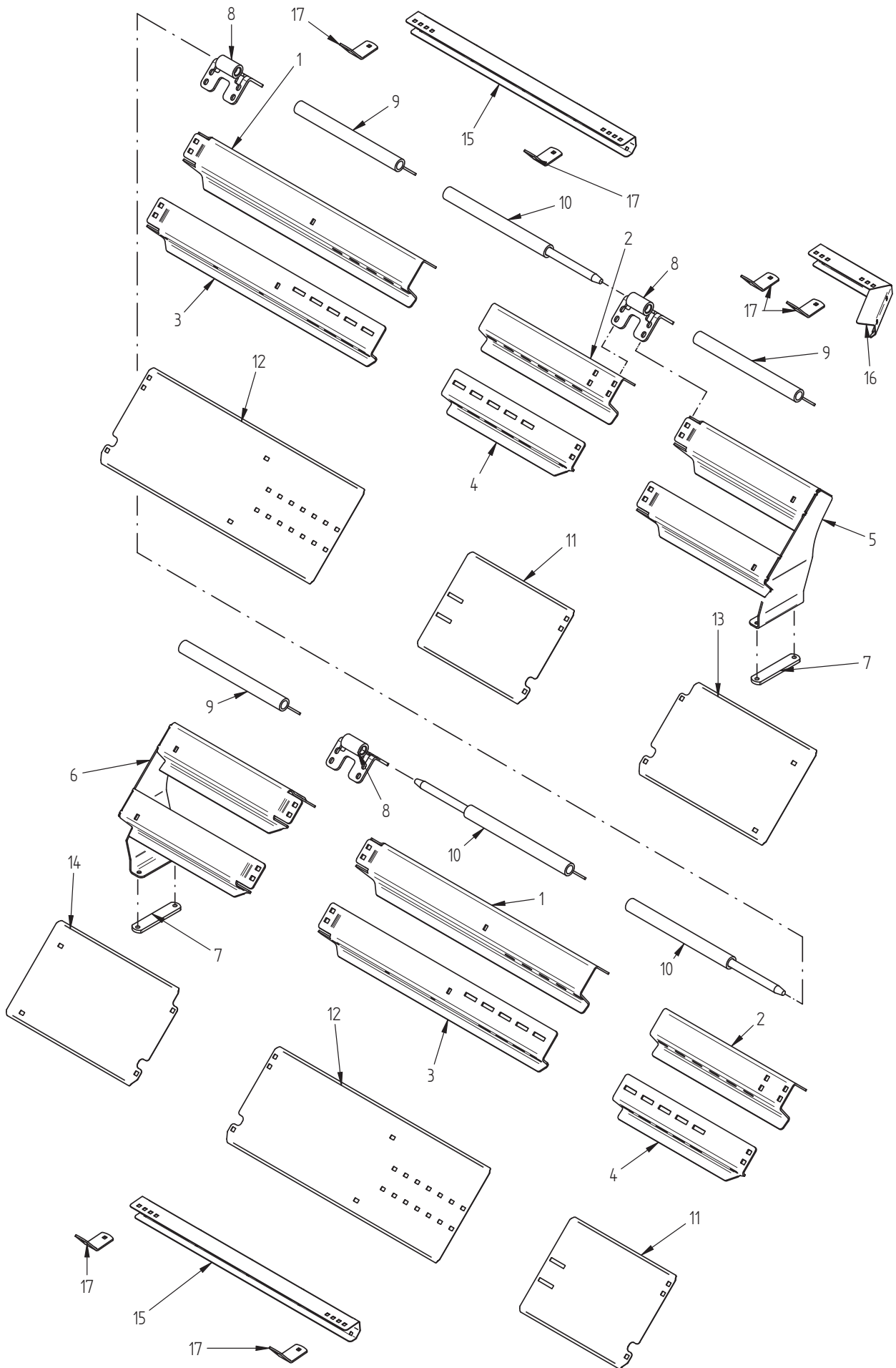


Fig. 4

Utgave: Issue: 1		Redskap: POTETSETTER UP3745 Implement: POTATO PLANTER UP3745			<h1>Underhaug</h1>	
Dato: Date: 03-09		Enhet: Unit: BAKRE TVERR-RAMME REAR CROSSFRAME				
Ref. No.	Delenr. Part nr.	Ant. Qty.	Gjenstand:	Description:	Anmerkning: Note:	
1	UH207566	2	INDREPROFIL LANG 3745 SV.	INNER PROFILE LONG 3745		
2	UH207567	2	INDREPROFIL KORT 3745	INNER PROFILE SHORT 3745		
3	UH207568	2	INDRESKINNE LANG 3745 SV.	INNER RAIL LONG 3745		
4	UH207569	2	INDRESKINNE KORT 3745	INNER RAIL SHORT 3745		
5	UH207560	1	BAKRE SIDERAMME 3745 V. SV.	REAR SIDEFAME LH		
6	UH207561	1	BAKRE SIDERAMME 3745 H. SV.	REAR SIDEFAME RH		
7	UH211716	2	LASK 40X10-Ø13/163/Ø13	CLAMP 40X10-D13/163/D13		
8	UH207556	3	HENGSLFESTE SENTRISK SV.	HOPPER HINGE CENTRIC		
9	UH214600	3	STØTTEHYLSE SV.	SUPPORTING COLLAR		
10	UH214601	3	STØTTEHYLSE SV. M/AKSEL	SUPPORTING COLLAR W/AXLE		
11	UH207572	2	DEKKPLATE 3745 INDRE V.	COVERPLATE 3745 INNER LH		
12	UH211583	2	DEKKPLATE INDRE H.	COVER PLATE INNER RH		
13	UH207570	1	DEKKPLATE 3745 YTRE V.	COVERPLATE 3745 OUTER LH		
14	UH207571	1	DEKKPLATE 3745 YTRE H.	COVERPLATE 3745 OUTER RH		
15	UH207765	2	SLANGEFØRINGSPROFIL	HOSE GUIDING PROFILE		
16	UH207766	1	SLANGEFØRINGSPROFIL SIDE	HOSE GUIDING PROFILE SIDE		
17	UH214696	6	SLANGEFØRINGSFESTE	HOSE GUIDING BRACKET		

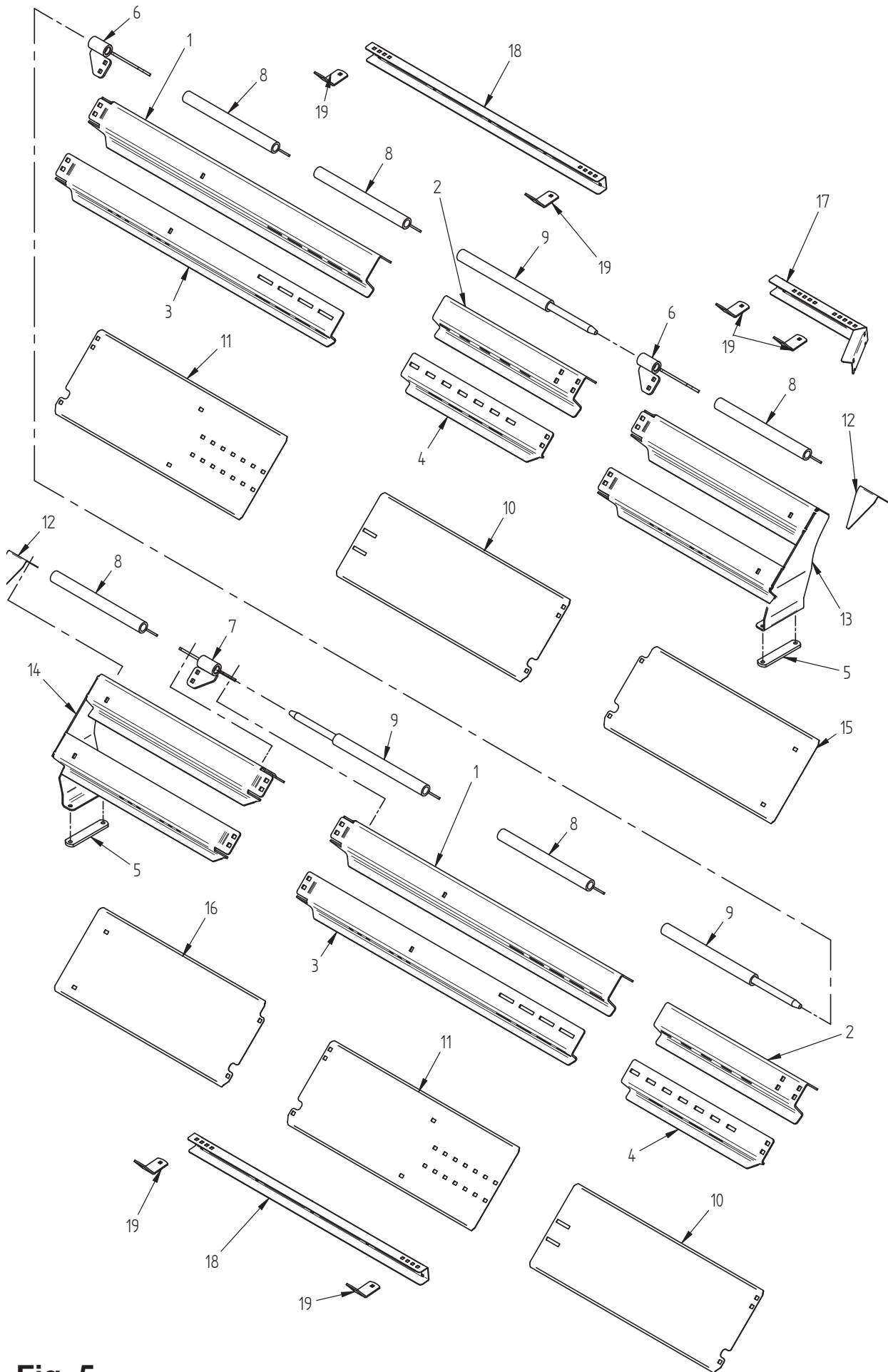


Fig. 5

Utgave: Issue: 1		Redskap: POTETSETTER UP3760-80 Implement: POTATO PLANTER UP3760-80		<h1>Underhaug</h1>	
Dato: Date: 03-09		Enhet: Unit: BAKRE TVERR-RAMME REAR CROSSFRAME			
Ref. No.	Delenr. Part nr.	Ant. Qty.	Gjenstand:	Description:	Anmerkning: Note:
1	UH211566	2	INDREPROFIL LANG SV.	INNER PROFILE LONG	
2	UH211567	2	INDREPROFIL KORT	INNER PROFILE SHORT	
3	UH211570	2	INDRESKINNE LANG SV.	INNER BAR LONG	
4	UH211571	2	INDRESKINNE KORT	INNER BAR SHORT	
5	UH211716	2	LASK 40X10-Ø13/163/Ø13	CLAMP 40X10-D13/163/D13	
6	UH211574	2	TANKHENGSLER V. SV.	HOPPER HINGE LH	
7	UH211575	1	TANKHENGSLER H. SV.	HOPPER HINGE RH	
8	UH214600	5	STØTTEHYLSE SV.	SUPPORTING COLLAR	
9	UH214601	3	STØTTEHYLSE SV.M/AKSEL	SUPPORTING COLLAR W/SHAFT	
10	UH211582	2	DEKKPLATE INDRE V.	COVER PLATE INNER LH	
11	UH211583	2	DEKKPLATE INDRE H.	COVER PLATE INNER RH	
12	UH211585	2	DEKKTREKANT	COVER TRIANGLE	
13a	UH211554	1	BAKRE SIDERAMME 6R V. SV.	REAR SIDE-FRAME 6R LH	6R
13b	UH211552	1	BAKRE SIDERAMME 8R V. SV.	REAR SIDE-FRAME 8R LH	8R
14a	UH211555	1	BAKRE SIDERAMME 6R H. SV.	REAR SIDE-FRAME 6R RH	6R
14b	UH211553	1	BAKRE SIDERAMME 8R H. SV.	REAR SIDE-FRAME 8R RH	8R
15	UH211580	1	DEKKPLATE YTRE V.	COVER PLATE OUTER LH	
16	UH211581	1	DEKKPLATE YTRE H.	COVER PLATE OUTER RH	
17	UH214693	1	SLANGEFØRINGSPROFIL YTRE V.	OUTER HOSE GUIDING LH	
18	UH214691	2	SLANGEFØRINGSPROFIL MIDTRE	CENTRE HOSE GUIDING	
19	UH214696	6	SLANGEFØRINGSFESTE	HOSE GUIDING BRACKET	

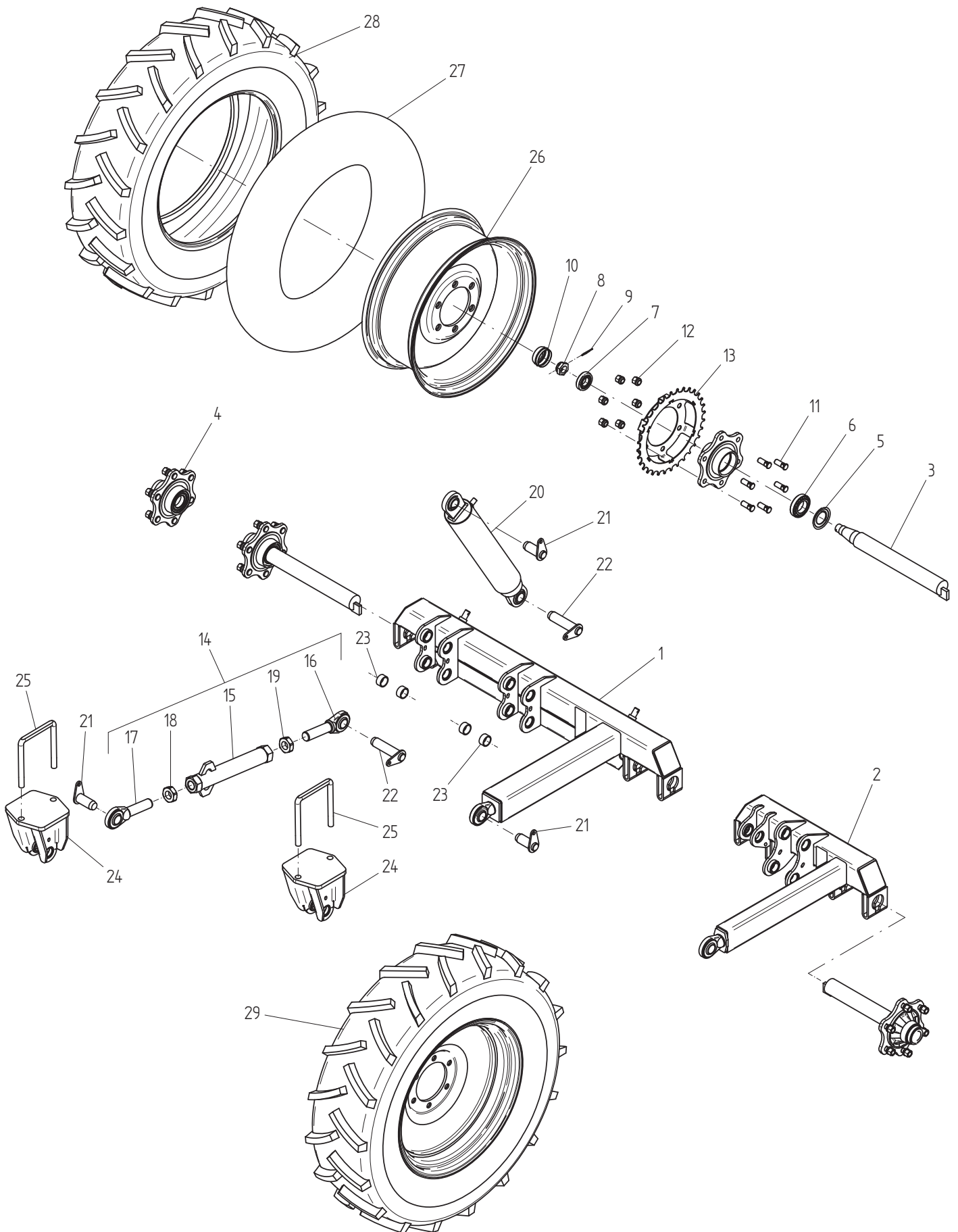


Fig. 6

Utgave: Issue:		Redskap: Implement:		Underhaug	
1		POTETSETTER UP3745-60-80 POTATO PLANTER UP3745-60-80			
Dato: Date:		Enhet: Unit:		Fig: 6	
03-09		HJULOPPHENG WHEEL SUSPENSION			
Ref. No.	Delenr. Part nr.	Ant. Qty.	Gjenstand:	Description:	Anmerkning: Note:
1	UH211655	1	HJULOPPHENG V.	WHEEL SUSPENSION LH	
2	UH207514	1	HJULOPPHENG V.	WHEEL SUSPENSION LH	
3a	UH401016	2	AKSEL LANG SV. M/MUTTER	LONG SHAFT	6R
3b	UH207513	2	AKSEL Ø60 KORT SV.	SHAFT D60 SHORT	
4	UH401019	2	NAV KOMPL.	HUB ASSY	
5	UH401029	2	TETTN.SETT ADR RA9NKA	SEAL CMT	
6	UH401021	2	LAGER INDRE SKF 30210	BALL BEARING INNER	
7	UH401022	2	LAGER YTRE, SKF 30207	BALL BEARING OUTER	
8	UH401041	2	KRONEMUTTER M30X1.5	NUT	
9	UH401043	2	LÅSESPLINT Ø3	LOCK PIN D3	
10	UH401025	2	NAVKAPSEL Ø72	HUB CUP	
11	UH401026	12	RILLEBOLT 18X1.5X49	WHEEL BOLT M18X1.5X49	
12	UH401027	12	HJULMUTTER M18X1.5	WHEEL NUT M18X1.5	
13	UH210842	1	SENSORRING HJULNAV 6HOL	SENSOR RING WHEEL HUB	
14	UH211680	1	LEDDSTAG STILLBART	ADJ.BALL JOINT STAY	
15	UH211681	1	STILLHYLSE SV.	ADJUSTING SLEEVE	
16	UH211684	1	KULEHODE D35-M36 VENSTREGJ.	BALL JOINT D35-M36 LHTHREAD	
17	UH211685	1	KULEHODE D35-M36 HØGREGJ.	BALL JOINT D35-M36 RHTHREAD	
18	UH850138		KONTRAMUTTER M36	LOCK NUT M36	
19	UH850139		KONTRAMUTTER M36	LOCK NUT M36	
20	UH211235	1	SYLINDER EV Ø90/Ø90X700+250	CYLINDER SA D90/D90X700+250	
*	UH211236		SYL. PAKN. SETT Ø90/Ø90	CYLINDER SEAL KIT D90/D90	
21	UH211480	3	AKSEL Ø35 SV.	SHAFT D35	
22	UH211482	2	AKSEL Ø35 SV. 140	SHAFT D35 140	
23	UH216481	4	HYLSE Ø36-Ø42.4X21	BUSH D36-D42.4X21	
24	UH211670	2	HJULARMFESTE SV.	WHEEL ARM BRACKET	
25	UH211669	2	KLAVE M20-4KT153-202	CLAMP M20-4KT153-202	
26	UH310099	2	FELG W10X24. 10/160/205	RIM W10X24. 6/160/205	
27	UH310098	2	SLANGE 12.4X24	TUBE 12.4X24	
28	UH310097	2	DEKK 12.4X24-8 TR. MØNSTER	TYRE 12.4X24-8PLY	
29a	UH310095	1	HJUL 12.4-24 M/RIBBER V.	WHEEL 12.4-24 LH 8PLY LH	6R
29b	UH310096	1	HJUL 12.4-24 M/RIBBER H.	WHEEL 12.4-24 RH 8PLY	6R
29c	UH217620	1	HJUL 11.2-24" M/RIBBER V.	WHEEL W/RIM 11.2-24 LUGGED	4R
29d	UH217621	1	HJUL 11.2-24" M/RIBBER H.	WHEEL W/RIM 11.2-24 LUGGED	4R

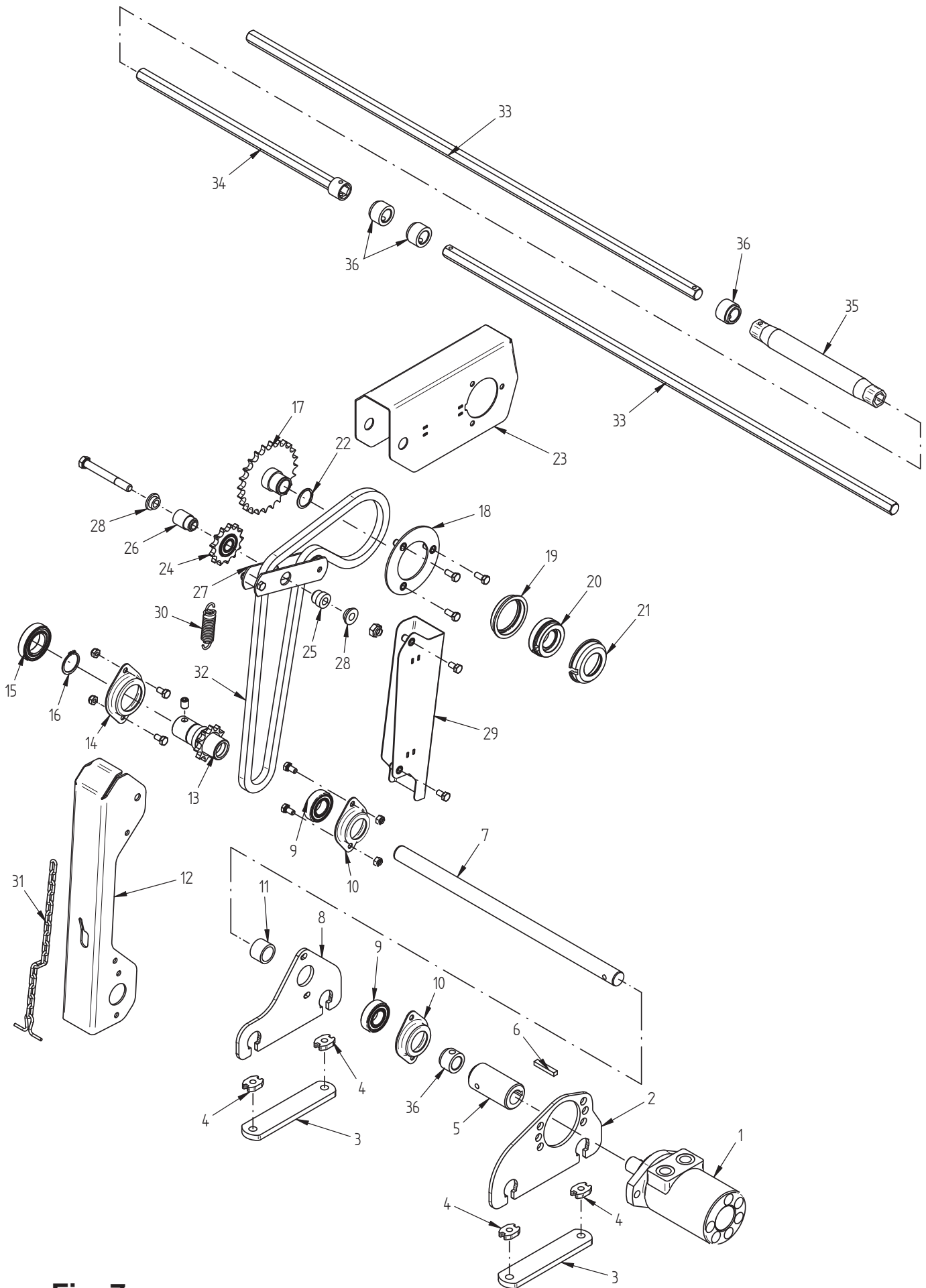


Fig. 7

Utgave: 1 Issue:		Redskap: POTETSETTER UP3745 Implement: POTATO PLANTER UP3745		Underhaug	
Dato: 03-09 Date:		Enhet: SETTERDRIFT 4R Unit: PLANTER DRIVE 4R			
Ref. No.	Delenr. Part nr.	Ant. Qty.	Gjenstand:	Description:	Anmerkning: Note:
1	UH900509	1	OLJEMOTOR 195CCM AKSEL Ø25	OIL MOTOR 195CCM SHAFT D25	
*	UH900501		PAKN. SETT MF761 MOTOR	SEAL KIT MF761 MOTOR	
2	UH211715	1	MOTORFESTE	MOTOR BRACKET	
3	UH211716	1	LASK 40X10-Ø13/163/Ø13	CLAMP 40X10-D13/163/D13	
4	UH210309	2	MUTTER M12 M/STYRESPOR	NUT M12 W/GUIDE NOTCHES	
5	UH210308	1	DRIVHYLSE Ø25X90	DRIVE SLEEVE D25X90	
6	UH440140	1	KILE 8X7X45	KEY 8X7X45	
7	UH207636	1	MOTORAKSEL	MOTOR SHAFT	
8	UH213102	1	LAGERFESTE	BEARING BRACKET	
9	UH870728	2	KULELAGER 6205-2RS-C3	BEARING 6205-2RS-CR	
10	UH215101	2	LAGERHUS Ø52-Ø37	BEARING HOUSING D52-D37	
11	UH217449	1	HYLSE Ø25.7-Ø33.7X23	SPACER D25.7-D33.7X23	
12a	UH212265	1	KJEDESKJERM NEDRE	CHAIN GUARD LOWER	4R
12b	UH212264	1	KJEDESKJERM NEDRE H.	CHAIN GUARD LOWER RH	6-8R
13	UH210314	1	KJEDEHJUL 5/8" 11T SV.	SPROCKET 5/8" 11T	
14	UH215102	1	LAGERHUS Ø62-Ø47	BEARING HOUSING D62-D47	
15	UH870637	1	KULELAGER 6007-2RS	BALL BEARING 6007-2RS1	
16	UH868435	1	LÅSERING UTV. A35X1.5	CIRCLIP A35X1.50	
17	UH210318	1	KJEDEHJUL 5/8" 24T SV.	SPROCKET 5/8" 24T	
18	UH210328	1	KLEMRING M/MUTTERE	CLAMPING RING W/NUTS	
19	UH210323	1	LAGERBOSS Ø62-Ø68	BEARING HOUSING D62-D68	
20a	UH210327	1	SENSOR KULELAGER BMB 6206	SENSOR BEARING BMB 6206	4R
20b	UH870732		KULELAGER 6206-2RS	BALL BEARING 6206-2RS	6-8R
21	UH210324	1	LAGERBOSS Ø62-Ø70	BEARING HOUSING D62-D70	
22	UH868431	1	LÅSERING UTV. AV30X1.5	CIRCLIP AV30X1.5	
23a	UH212261	1	KJEDESKJERM ØVRE	CHAIN GUARD UPPER	4R
23b	UH212275	1	KJ.SKJERM ØVRE H.	CHAIN GUARD UPPER RH	6-8R
24	UH221519	1	KJEDEHJUL 5/8" 13T.M/LAGER	SPROCKET 13T.	
25	UH212262	1	BØSSING Ø12,4X22-Ø17/3	BUSHING D12,4X22-D17/3	
26	UH212263	1	BØSSING Ø12,4X36-Ø17/3	BUSHING D12,4X36-D17/3	
27	UH215505	1	KJEDESTRAMMER KOMPL.	CHAIN TENSION	
28	UH215199	2	LAGERFORING Ø12.7X9-Ø20/6	BEARING LINER Ø12.7X9-Ø20/6	
29a	UH212266	1	KJEDEDEKSEL M/MUTRE	CHAINCASE GUARD W/NUTS	4R
29b	UH212269	1	KJEDEDEKSEL M/MUTRE H.	CHAINCASE GUARD W/NUTS RH	6-8R
30	UH215269	1	STREKKFJØR Ø3-Ø17X80	TENSION SPRING Ø3-Ø17X80	
31	UH215288	1	STRAMMEKJETTING	TENSION CHAIN	
32	UH901644	1	RULLEKJEDE 5/8"X1381	ROLLER CHAIN 5/8"X1381	
33	UH215111	2	DRIVAKSEL 2-R	DRIVE SHAFT 2-R	
34	UH215114	1	KOPLINGSAKSEL SV.	SHAFT COUPLING	
35	UH215116	1	LEDDAKSELHYLSE	SHAFT SPACER	
36	UH215141	3	STOPPRING Ø22-M12	STOP RING Ø22-M12	

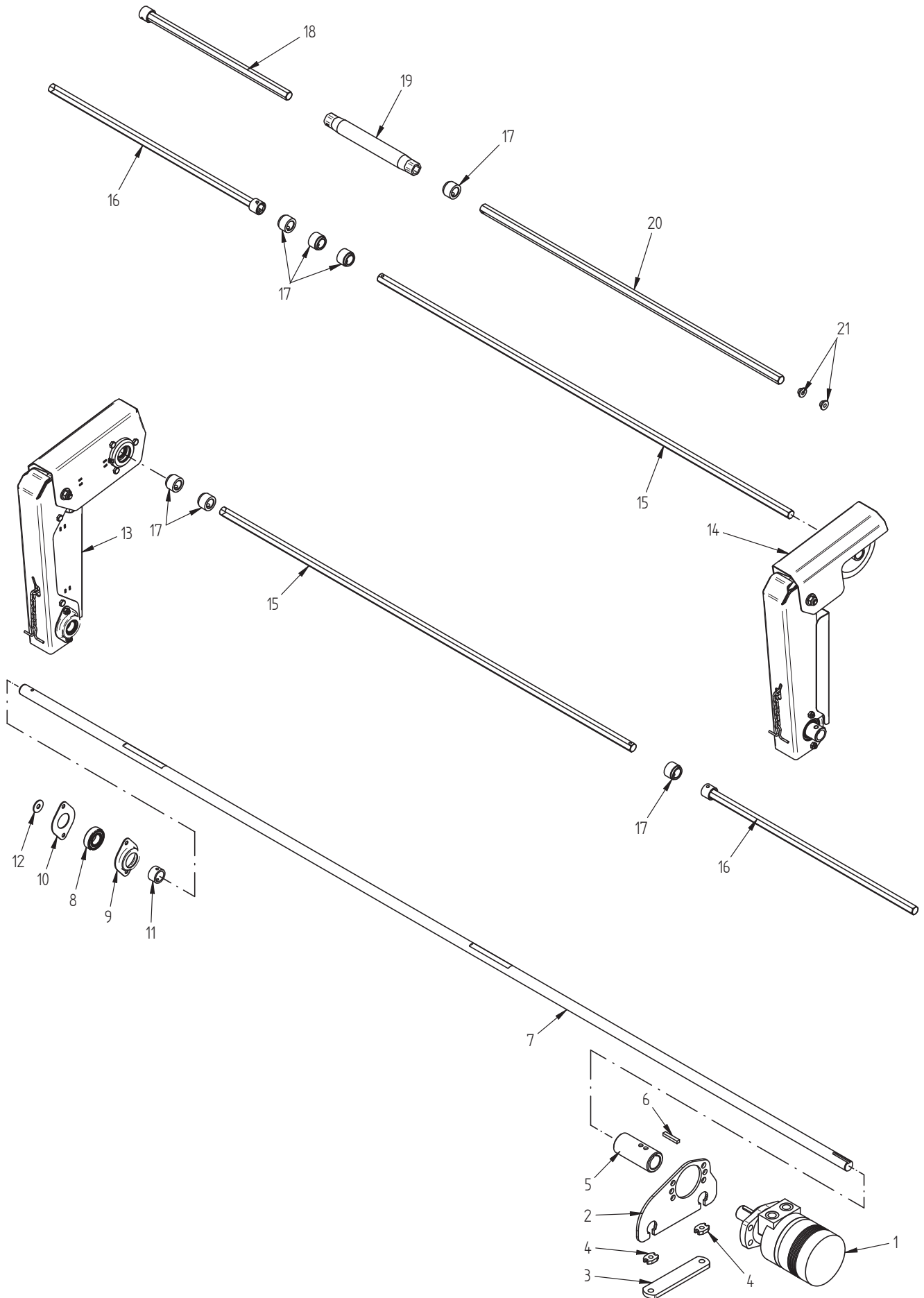


Fig. 8

3760-80_08

Utgave: Issue:		Redskap: Implement:		Underhaug	
1		POTETSETTER UP3760-80 POTATO PLANTER UP3760-80			
Dato: Date:		Enhet: Unit:		Fig: 8	
03-09		SETTERDRIFT 6-8R PLANTER DRIVE 6-8R			
Ref. No.	Delenr. Part nr.	Ant. Qty.	Gjenstand:	Description:	Anmerkning: Note:
1	UH333212	1	OLJEMOTOR 195CCM AKSEL	OIL MOTOR 195CCM SHAFT	
*	UH333214		PAKN. SETT FOR MB-280	SEAL KIT FOR MB-280	
2	UH211715	1	MOTORFESTE	MOTOR BRACKET	
3	UH211716	1	LASK 40X10-Ø13/163/Ø13	CLAMP 40X10-D13/163/D13	
4	UH210309	1	MUTTER M12 M/STYRESPOR	NUT M12 W/GUIDE NOTCHES	
5	UH211710	1	DRIVHYLSE Ø32Ø25X110	DRIVE SLEEVE D32/D25	
6	UH440140	1	KILE 8X7X45	KEY 8X7X45	
7	UH211712	1	DRIVAKSEL Ø25X2644	DRIVE SHAFT D25X2644	
8	UH870728	2	KULELAGER 6205-2RS-C3	BEARING 6205-2RS-C3	
9	UH215101	2	LAGERHUS Ø52-Ø37	BEARING HOUSING D52-D37	
10	UH215105	2	LAGERDEKSEL	BEARING CAP	
11	UH221366	1	STOPPRING Ø25-Ø6	STOP RING D25-D6	
12	UH217197	1	BRIKKE Ø10.5-Ø30X2 GALV	WASHER D10.5-D30X2 GALV	
13	(UH212260)	1	KJEDEKASSE TOPPAKS.DRIFT	CHAINDRIVE TOPSHAFT ASSY.	See Fig. 7
14	(UH212259)	1	KJEDEKASSE TOPPAKS.DRIFT H.	CHAINDRIVE TOPSHAFT RH	See Fig. 7
15	UH214798	2	DRIVAKSEL	DRIVE SHAFT	6R
16	UH214552	2	KOPLINGSAKSEL SV.	SHAFT COUPLING	6R
17	UH215141	6	STOPPRING Ø22-M12	STOPPRING Ø22-M12	
18	UH215114	2	KOPLINGSAKSEL SV.	SHAFT COUPLING	8R
19	UH215116	2	LEDDAKSELHYLSE	SHAFT SPACER	8R
20	UH215112	2	DRIVAKSEL 4-R	DRIVE SHAFT 4-R	8R
21	UH310912	2	BØSSING Ø8.4X10-Ø13.8/7	BUSHING D8.4X10-D13.8/7	8R

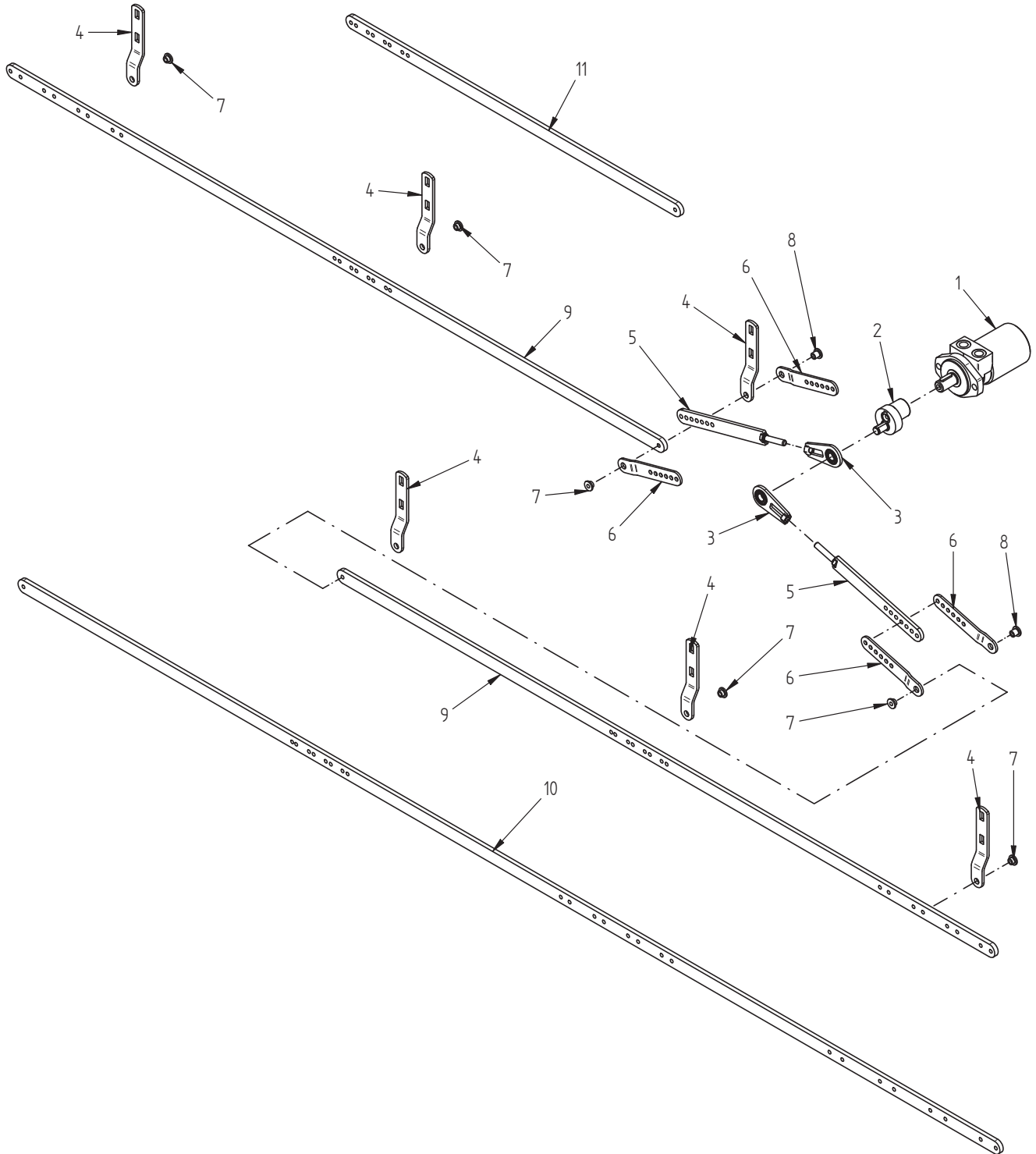


Fig. 9

3745-60-80_10

Utgave: Issue: 1		Redskap: POTETSETTER UP3745-60-80 Implement: POTATO PLANTER UP3745-60-80		Underhaug	
Dato: Date: 03-09		Enhet: Unit: SKAKEMEKANISME AGITATION			
Ref. No.	Delenr. Part nr.	Ant. Qty.	Gjenstand:	Description:	Anmerkning: Note:
1	UH900511	1	OLJEMOTOR 260CM AKSEL Ø25	OIL MOTOR 260CCM SHAFT D25	
*	UH900501		PAKN. SETT MF761 MOTOR	SEAL KIT MF761 MOTOR	
2	UH211753	1	EKSENTERTAPP Ø25/Ø17	ECCENTRIC PIN D25/D17	
3	UH211756	2	VEIVARM M/LAGER	CRANK ARM W/BEARING	
4	UH211762	6	TALLERKENARM 3760	DISK ARM 3760	
5	UH211760	2	STILLSTANG KORT M12 SV.	ADJUSTABLE SHORT ROD M12	
6	UH211770	4	ARM PARALLELLKNEKKET KORT	ARM OFFSET-BENT SHORT	
7	UH310912	6	BØSSING Ø8.4X10-Ø13.8/7	BUSHING D8.4X10-D13.8/7	
8	UH211769	2	BØSSING Ø8,4X16-Ø13,8/13	BUSHING D8,4X16-D13,8/13	
9	UH211772	1	DOBBELTSTAG 3760	DOUBLE PUSHROD	6R
10	UH211773	1	TRIPPELSTAG 3760	TRIPLE PUSHROD	8R
11	UH207646	1	ENKELTSTAG 3745	SINGLE STAY 3745	4R

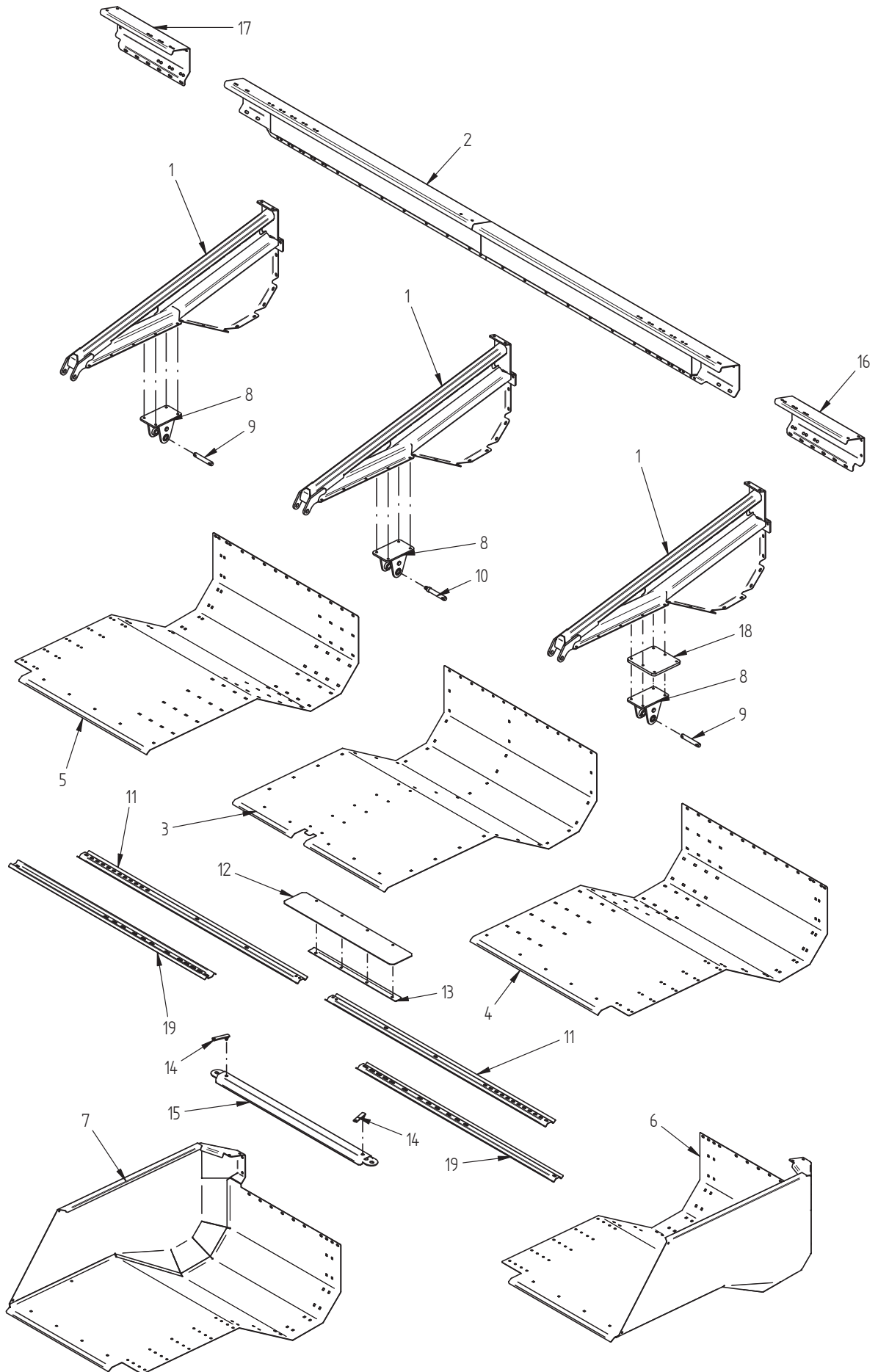


Fig. 10

Utgave: Issue:		1		Redskap: Implement:		POTETSETTER UP3745-60-80 POTATO PLANTER UP3745-60-80		Underhaug	
Dato: Date:		03-09		Enhet: Unit:		VIPPETANK HOPPER			
Ref. No.	Delenr. Part nr.	Ant. Qty.	Gjenstand:	Description:	Anmerkning: Note:				
1	UH211810	1	AVSTIVERSKOTT SV	BRACING BULKHEAD	4-6-8R				
2a	UH211825	1	TANKKANAL 6R SV	HOPPER GIRDER	6-8R				
2b	UH207605	1	TANKKANAL 3745	HOPPER GIRDER 3745	4R				
3a	UH211835	1	TANKPLATE MIDTRE	HOPPER PLATE MIDDLE	6-8R				
3b	UH207601	1	TANKPLATE 3745 MIDTRE	HOPPER PLATE 3745 MIDDLE	4R				
4a	UH211836	1	TANKPLATE MELLOM V.	HOPPER PLATE INTERM. LH	6-8R				
4b	UH207602	1	TANKPLATE MELLOM 3745 V.	HOPPER PLATE INTERM. RH	4R				
4c	UH211838	1	TANKPLATE MELLOM YTRE V.	HOPPER PLATE INTERM. OUTER	8R				
5a	UH211837	1	TANKPLATE MELLOM H.	HOPPER PLATE INTERM. RH	6-8R				
5b	UH207603	1	TANKPLATE MELLOM 3745 H.	HOPPER PLATE INTERM. RH	4R				
5c	UH211839	1	TANKPLATE MELLOM YTRE H.	HOPPER PLATE INTERM. RH	8R				
6a	UH211840	1	TANKSEKJON V.	HOPPER SECTION LH	6-8R				
6b	UH207620	1	TANKSEKSJON 3745 V.	HOPPER SECTION 3745 LH	4R				
7a	UH211841	1	TANKSEKSJON H.	HOPPER SECTION RH	6-8R				
7b	UH207621	1	TANKSEKJON 3745 H.	HOPPER SECTION 3745 RH	4R				
8	UH211820	2	SYLINDERFESTE SV.	CYLINDER BRACKET	4-6-8R				
9	UH211505	2	BOLT Ø25-Ø12/126/Ø12	PIN D25-D12/126/D12	6-8R				
10	UH211506	1	BOLT M/HODE Ø25X123	BOLT W/HEAD D25X123	4-6-8R				
11	UH211809	2	AVSTIVERPROFIL	SUPPORTING PROFILE	4-6-8R				
12a	UH211849	6	GUMMIDUK 4X200X990	RUBBER SHEET 4X200X990MM	6-8R				
12b	UH207626	6	GUMMIDUK 4X200X570	RUBBER SHEET 4X200X570MM	4R				
13a	UH210462	6	KLEMLIST	CLAMPING PROFILE	6-8R				
13b	UH207625	6	KLEMLIST 3745	CLAMPING PROFILE 3745	4R				
14	UH211948	2	SIKRINGSPARKERINGSFESTE SV.	SAFETY STAY BRACKET	4-6-8R				
15	UH211945	1	TANKSIKRINGSSTAG SV.	TIPPING HOPPER SAFETY STAY	4-6-8R				
16a	UH211832	1	YTTERKANAL V.	GIRDER EXTENSION LH	6R 90cm-38"				
16b	UH211830	1	YTTERKANAL V.	GIRDER EXTENSION LH	6R 80cm-34"				
16c	UH207610	1	YTTERKANAL V. 3745	OUTER SUPPORT RAIL LH	4R 80cm-34"				
16d	UH207612	1	YTTERKANAL V. 3745	OUTER SUPPORT RAIL LH	4R 90cm-36"				
16e	UH211990	1	YTTERKANAL 8R V.	GIRDER EXTENSION 8R LH	8R 80cm-32"				
16f	UH211992	1	YTTERKANAL 8R V.	GIRDER EXTENSION 8R LH	8R 85cm-34"				
16g	UH211994	1	YTTERKANAL 8R V.	GIRDER EXTENSION 8R LH	8R 90cm-36"				
17a	UH211833	1	YTTERKANAL H.	GIRDER EXTENSION RH	6R 90cm-38"				
17b	UH211831	1	YTTERKANAL H.	GIRDER EXTENSION RH	6R 80cm-34"				
17c	UH207611	1	YTTERKANAL H. 3745	OUTER SUPPORT RAIL RH	4R 80cm-34"				
17d	UH207613	1	YTTERKANAL H. 3745	OUTER SUPPORT RAIL LH	4R 90cm-36"				
17e	UH211991	1	YTTERKANAL 8R RH	GIRDER EXTENSION 8R RH	8R 80cm-32"				
17f	UH211993	1	YTTERKANAL 8R H.	GIRDER EXTENSION 8R RH	8R 85cm-34"				
17g	UH211995	1	YTTERKANAL 8R H.	GIRDER EXTENSION 8R RH	8R 90cm-36"				
18	UH207628	2	SYLINDERSTØTTEPLATE	CYLINDER SUPPORT PLATE	4R				
19	UH211996	2	AVSTIVERPROFIL 8R	SUPPORTING PROFILE 8-ROW	8R				

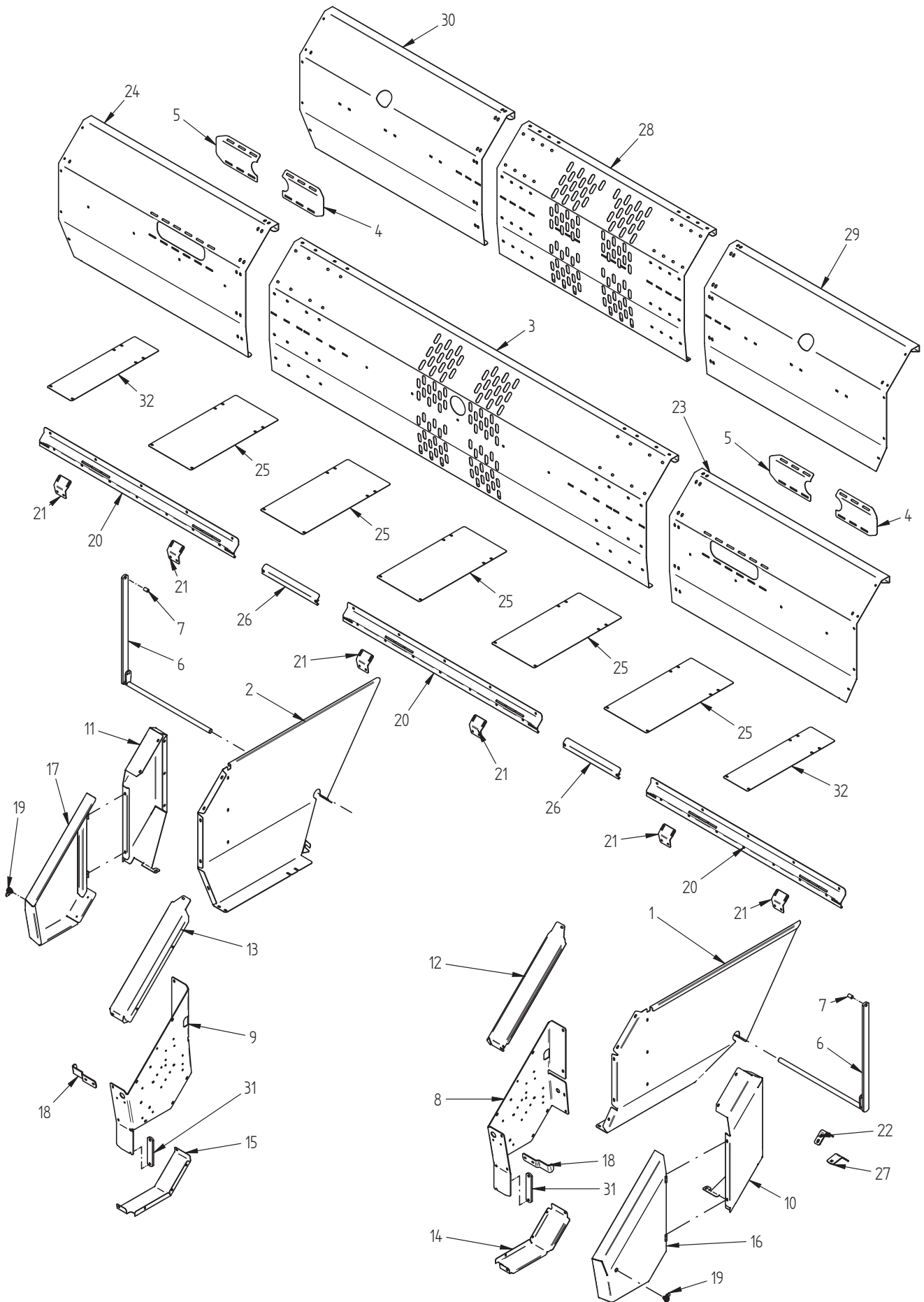


Fig. 11

Utgave: Issue:		Redskap: Implement:		Underhaug	
1		POTETSETTER UP3745-60-80 POTATO PLANTER UP3745-60-80			
Dato: Date:		Enhet: Unit:		Fig: 11	
03-09		FRONTTANK FRONT-HOPPER			
Ref. No.	Delenr. Part nr.	Ant. Qty.	Gjenstand:	Description:	Anmerkning: Note:
1	UH211855	1	SIDEPLATE V. FRONTTANK	SIDE PLATE LH FRONT TANK	4-6-8R
2	UH211856	1	SIDEPLATE H. FRONTTANK	SIDE PLATE RH FRONT TANK	4-6-8R
3	UH211857	1	TANKFRONTPLATE MIDTRE	TANK FRONTPLATE CENTRE	6-8R
4	UH211861	2	STAGTETNINGSPLATE V	SEALING PLATE LH	6-8R
5	UH211862	2	STAGTETNINGSPLATE H	SEALING PLATE RH	6-8R
6	UH211887	2	HENGSELE ARM SV	HINGE ARM	4-6-8R
7	UH257652	2	HYLSE Ø11.4-Ø17.2X27.5	SPACER D11.4-D17.2X27.5	4-6-8R
8	UH211868	1	INDRESKJERM V	INNER GUARD LH	4-6-8R
9	UH211869	1	INDRESKJERM H	INNER GUARD RH	4-6-8R
10	UH211865	1	LUKEFESTE V	DOOR ATTACHMENT PLATE LH	4-6-8R
11	UH211866	1	LUKEFESTE H	DOOR ATTACHMENT PLATE RH	4-6-8R
12	UH211870	1	INDRESKJERM ØVRE V.	INNER GUARD UPPER LH	4-6-8R
13	UH211871	1	INDRESKJERM ØVRE H.	INNER GUARD UPPER RH	4-6-8R
14	UH211872	1	INDRESKJERM UNDRE V.	INNER GUARD LOWER LH	4-6-8R
15	UH211873	1	INDRESKJERM UNDRE H.	INNER GUARD LOWER RH	4-6-8R
16	UH211875	1	SKJERMLUKE V.SV	DOOR LH	4-6-8R
17	UH211876	1	SKJERMLUKE H.SV	DOOR RH	4-6-8R
18	UH211882	2	ARM FOR LUKELÅS	DOOR LOCK BRACKET	4-6-8R
19	UH306202	2	HAKELÅS KOMPL.	LOCK ASSY	4-6-8R
20	UH211891	3	KABELPROFIL 6R FRONT	CABLE PROFILE 6R FRONT	4-6-8R
21	UH211892	6	POTETSENSORFESTE 6R	POTATO SENSOR BRACKET 6R	4-6-8R
22	UH214071	3	MELLOMLEGGSVINKEL	SHIM	4-6-8R
23a	UH211858	1	TANKFRONTPLATE V	TANK FRONT PLATE LH	6R
23b	UH211853	1	TANKFRONTPLATE 8R V	HOPPER FRONT PLATE 8R LH	8R
24a	UH211859	1	TANKFRONTPLATE H	TANK FRONT PLATE RH	6R
24b	UH211854	1	TANKFRONTPLATE 8R H	HOPPER FRONT PLATE 8R RH	8R
25a	UH211885	3	TETNINGSPLATE 90CM-38"	BRIDGING PLATE 90CM-38"	4-6-8R
25b	UH211884	5	TETNINGSPLATE 80CM-34"	BRIDGING PLATE 80CM-34"	4-6-8R
26a	UH211893	1	DEKKPROFIL M/M8 90CM-38"	GUARD PROFILE W/M8 90CM-38"	4-6-8R
26b	UH211897	2	DEKKPROFIL M/M8 80CM-34"	GUARD PROFILE W/M8 80CM-34"	4R
26c	UH207580	1	DEKKPROFIL 90CM-38"	GUARD PROFILE 90CM-38"	4R
27	UH214696	6	SLANGEFØRINGSFESTE	HOSE GUIDING BRACKET	4-6-8R
28	UH207576	1	FRONTTANKPLATE 3745 MIDTRE	FRONT PLATE 3745 MIDDLE	4R
29	UH207577	1	FRONTTANKPLATE 3745 V.	FRONT PLATE 3745 LH	4R
30	UH207578	1	FRONTTANKPLATE 3745 H.	FRONT PLATE 3745 RH	4R
31	UH211716	2	LASK 40X10-Ø13/163/Ø13	CLAMP 40X10-D13/163/D13	4R
32	UH207583	2	DEKKPLATE 3745 90CM - 38"	COVER PLATE 90CM - 38"	4R

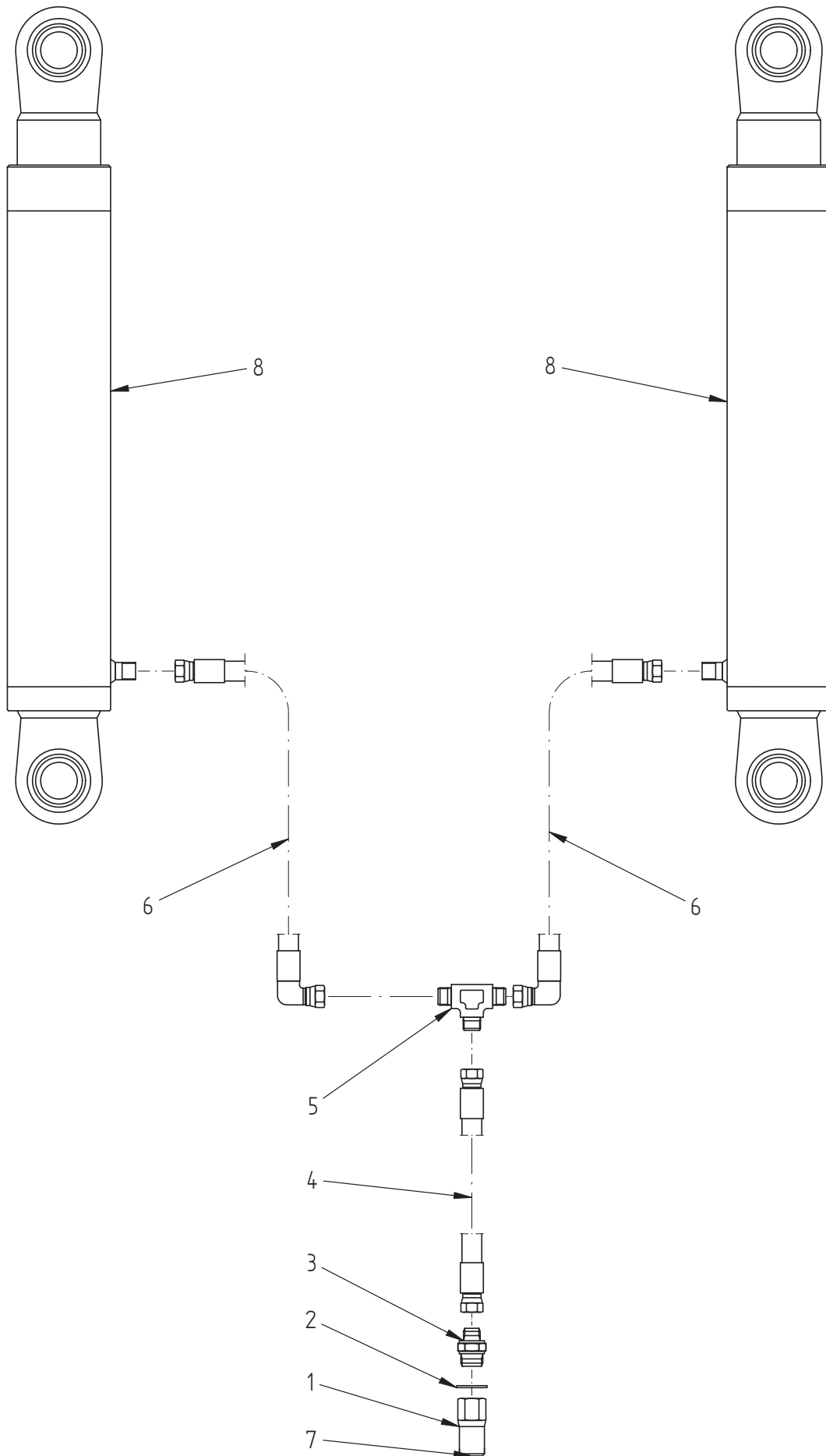


Fig. 12

Utgave: Issue: 1		Redskap: POTETSETTER UP3745-60-80 Implement: POTATO PLANTER UP3745-60-80		Underhaug	
Dato: Date: 03-09		Enhet: Unit: HYDRAULISK OPPLEGG - HJUL HYDRAULIC LAYOUT - WHEEL			
Ref. No.	Delenr. Part nr.	Ant. Qty.	Gjenstand:	Description:	Anmerkning: Note:
1	UH313882	1	HURTIGKOPLING 1/2"	QUICK RELEASE COUPLING	
2	UH219669	1	BOND SEAL 1/2"	BOND SEAL 1/2"	
3	UH410747	1	ANSATS 3/8"-1/2" BSP UU	MALE ADAPTOR 3/8"-1/2"	
4	UH214675	1	HYD.SL.3/8" 5500 I06I06-0G	HYDR. HOSE 3/8" 5500	
5	UH410754	1	HYD.SL.3/8" 2750 I06I06-0G	HYDR. HOSE 3/8" 2750	
6	UH214669	2	HYD.SL.3/8" 3200 I06I06-90G	HYDR. HOSE 3/8" 3200	
7	UH410723	1	STØVBESKYTTER GUL	DUST CAP YELLOW	
8	UH211230	2	SYLINDER EV Ø80/Ø80X700+250	CYLINDER SA Ø80/Ø80X700+250	
*	UH217141		SYL. PAKN. SETT Ø80/Ø80	CYLINDER SEAL KIT Ø80/Ø80	

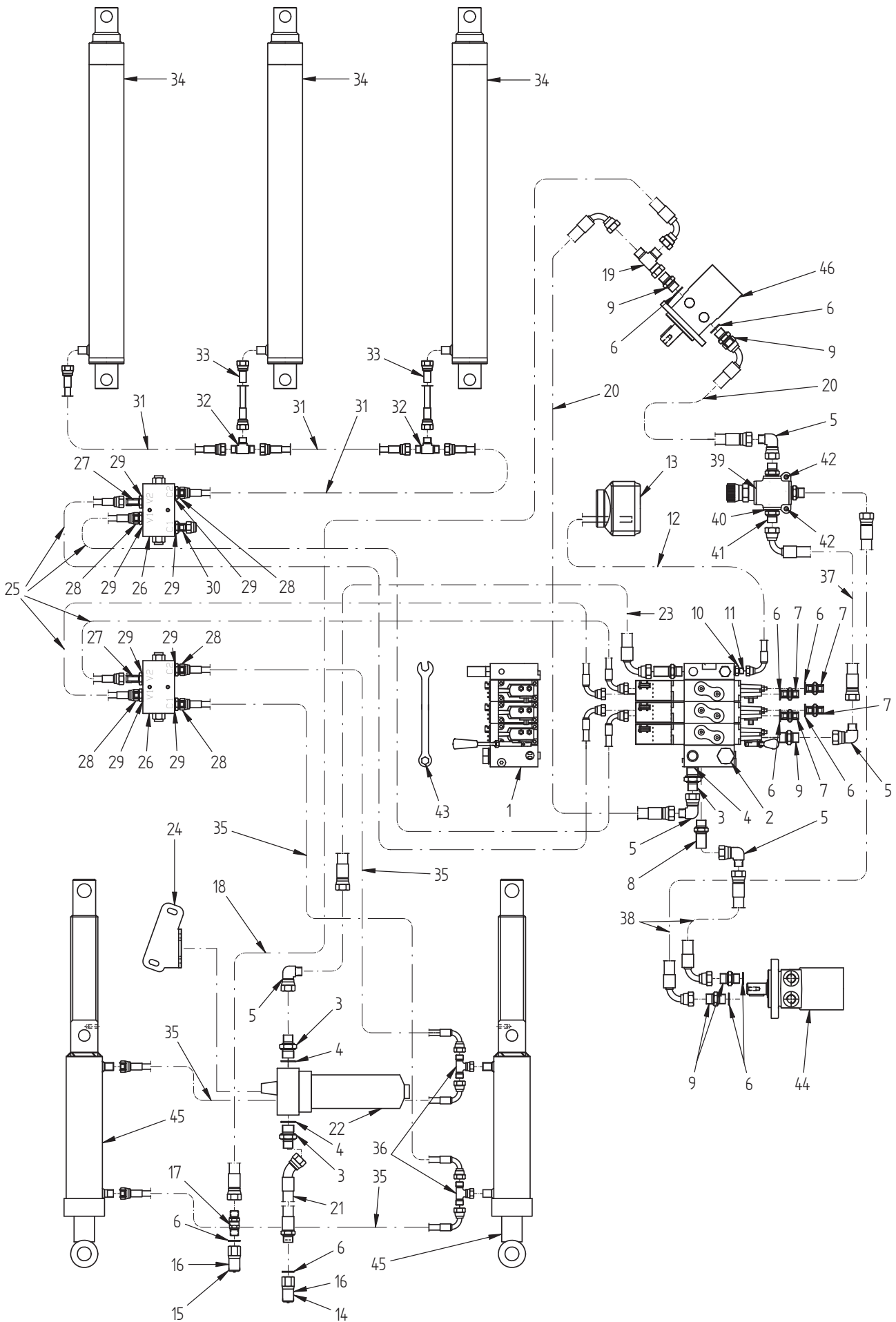


Fig. 13

Utgave: 1 Issue:		Redskap: POTETSETTER UP3745-60-80 Implement: POTATO PLANTER UP3745-60-80		Underhaug	
Dato: 03-09 Date:		Enhet: HYDRAULISK OPPLEGG Unit: HYDRAULIC LAYOUT			
Ref. No.	Delenr. Part nr.	Ant. Qty.	Gjenstand:	Description:	Anmerkning: Note:
1	UH211053	1	HYDR. SENTR. 3-SLEIDER	HYDR. BLOCK	
2	UH306573	1	PLUGG 3/4" BSP M/PAKN.	PLUG 3/4" BSP	
3	UH306756	3	ANSATS 1/2"-3/4" BSP UU	ADAPTOR 1/2"-3/4" BSP UU	
4	UH306757	3	PAKNINGSRING 3/4" BOND SEAL	BOND SEAL 3/4"	
5	UH430828	5	ALBU 90G 1/2" BSP UI	BSP 90DEG. 1/2	
6	UH219669	13	PAKNINGSRING 1/2" BOND SEAL	BOND SEAL 1/2"	
7	UH410747	4	ANSATS 3/8"-1/2" BSP UU	MALE ADAPTOR 3/8"-1/2"	
8	UH332545	2	SKOTTGJENNOMGANG 1/2"	BULKHEAD COUPLING 1/2"	
9	UH300971	5	ANSATS 1/2"-1/2" BSP UU	HEXAGON NIPPLE 1/2"-1/2"	
10	UH300957	1	ANSATS 1/4"-1/4" BSP UU	NIPPLE R1/4"-R1/4"	
11	UH300996	1	T-KOPLING 3/8" BSP UUI	T-JUNCTION G3/8" BSP OOI	
12	UH442847	1	HYD.SL.1/4" 860 I04-90G	HYDR. HOSE 1/4" 860"	
13	UH442918	1	OLJEBEHOLDER	OIL RESERVOIR	
14	UH410723	1	STØVBESKYTTER GUL	DUST CAP YELLOW	
15	UH410724	1	STØVBESKYTTER BLÅ	DUST CAP BLUE	
16	UH313882	2	HURTIGKOPLING 1/2"	QUICK RELEASE COUPLING R1/2"	
17	UH300968	1	TILBAKESLAGSVENTIL R1/2"R1/2"	NON RETURN VALVE R1/2"-R1/2"	
18	UH444743	1	HYD.SL.1/2" 5600 I08I08-90G	HYDR.HOSE 1/2" 5600	
19	UH411406	1	T-KOPLING 1/2"	T-CONNECTION 1/2"	
20a	UH218016	2	HYD.SL.1/2" 4500 I08I08-90G	HYDR. HOSE 1/2" 4500	
20b	UH332673	2	HYD.SL.1/2" 3750 I08I08-90G	HYDR. HOSE 1/2" 3750	
21a	UH218017	1	HYD.SL.1/2" 7200 U08I08-45G	HYDR. HOSE 1/2" 7200	
21b	UH207760	1	HYD.SL.1/2" 6350 U08I08-45G	HYDR. HOSE 1/2" 6350	
22	UH453410	1	TRYKKFILTER	PRESSURE FILTER	
23	UH332668	1	HYD.SL.1/2" 840 I08I08-90G	HYDR. HOSE 1/2" 840	
24	UH211007	1	FILTERFESTE 4/6R	FILTER BRACKET 4/6-ROW	
25	UH451244	4	HYD.SL. 3/8" 800 I06I06-90G	HYDR. HOSE 3/8" 800	
26	UH451755	2	LÅSEVENTIL 3/8" OILC.	CHECK VALVE 3/8" OILC.	
27	UH440091	2	SKOTTGJENNOMGANG 3/8"	BULKHEAD COUPLING 3/8"	
28	UH410748	6	ANSATS 3/8"-3/8" BSP UU	FIRM SWIVEL 3/8"-3/8"	
29	UH410746	8	PAKNINGSRING 3/8" BOND SEAL	BOND SEAL 3/8"	
30	UH217652	1	HETTE 3/8" BSP I-SV.	CAP R3/8"	
31a	UH412400	3	HYD.SL.3/8" 2000 I06I06-0G	HYDR. HOSE 3/8" 2000	
31b	UH410754	1	HYD.SL.3/8" 2750 I06I06-0G	HYDR. HOSE 3/8" 2750	
32	UH410784	2	T-KOPLING 3/8"	T. COUPLING 3/8"	
33	UH440081	2	HYD.SL.3/8" 385 I06I06-0G	HYDR. HOSE 3/8" 385	
34	UH211225	3	SYLINDER EV Ø60/Ø60X800+600	CYLINDER SA D60/D60X800+600	
*	UH217133		SYL. PAKN. SETT Ø60/Ø60	CYLINDER SEAL KIT D60/D60	
35a	UH218015	4	HYD.SL. 3/8" 2900 I06I06-90G	HYDR. HOSE 3/8" 2900	
35b	UH414011	2	HYDR.HOSE 1/2" 2220	HYDR. HOSE 1/2" 2220	
36	UH300996	2	T-KOPLING 3/8" BSP UUI	T-JUNCTION G3/8" BSP OOI	
37	UH332680	1	HYD.SL.1/2" 500 I08I08-90G	HYDR. HOSE 1/2" 500	
38	UH218021	2	HYD.SL.1/2" 1620 I08I08-90G	HYDR. HOSE 1/2" 1620	
39	UH306510	1	OLJEDELER	FLOW DEVIDER	
40	UH307814	3	PAKNINGSRING M22	BOND SEAL M22	

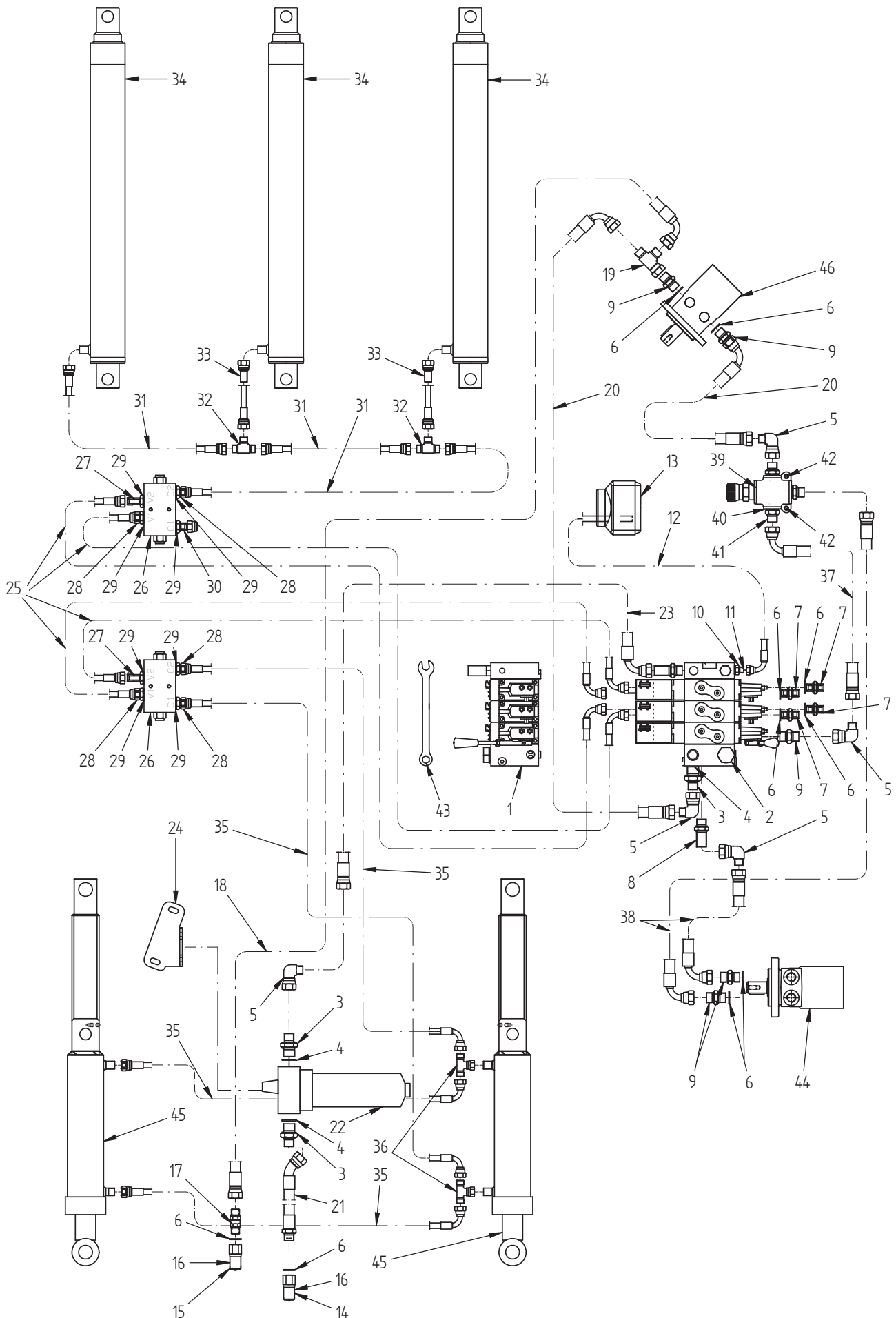


Fig. 13

Utgave: Issue:		1		Redskap: Implement:		POTETSETTER UP3745-60-80 POTATO PLANTER UP3745-60-80		Underhaug	
Dato: Date:		03-09		Enhet: Unit:		HYDRAULISK OPPLGG HYDRAULIC LAYOUT			
Ref. No.	Delenr. Part nr.	Ant. Qty.	Gjenstand:	Description:				Anmerkning: Note:	
41	UH307817	3	ANSATS 1/2"-M22X1.5 BSP/MM UU	ADAPTOR 1/2"-M22X1.5 BSP/MM					
42	UH332831	2	HYLSE Ø9-Ø22X58	SPACER Ø9-Ø22X58					
43	UH211018	1	FASTNØKKEL 6 KT. 9MM	SPANNER 9MM					
44a	UH333212	1	OLJEMOTOR MB-280 Ø32 AKSEL	OIL MOTOR MB-280 Ø32 SHAFT					
*	UH333214		PAKNINGSSETT FOR MB-280 Ø32	SEAL KIT FOR MB-280 D32					
44b	UH900509	1	OIL MOTOR 195CCS	OIL MOTOR 195CCM					
*	UH900501		PAKNINGSSETT FOR MF761	SEAL KIT FOR MF761 MOTOR					
45	UH211222	1	OLJEMOTOR 195CCM AKSEL Ø25	OIL MOTOR 195CC SHAFT D25					
*	UH900501		PAKNINGSSETT FOR MF761	SEAL KIT FOR MF761 MOTOR					
46	UH900511	1	OLJEMOTOR 260CCM AKSEL Ø25	OIL MOTOR 260CCM SHAFT D25					
*	UH900501	1	PAKNINGSSETT FOR MF761	SEAL KIT FOR MF761 MOTOR					

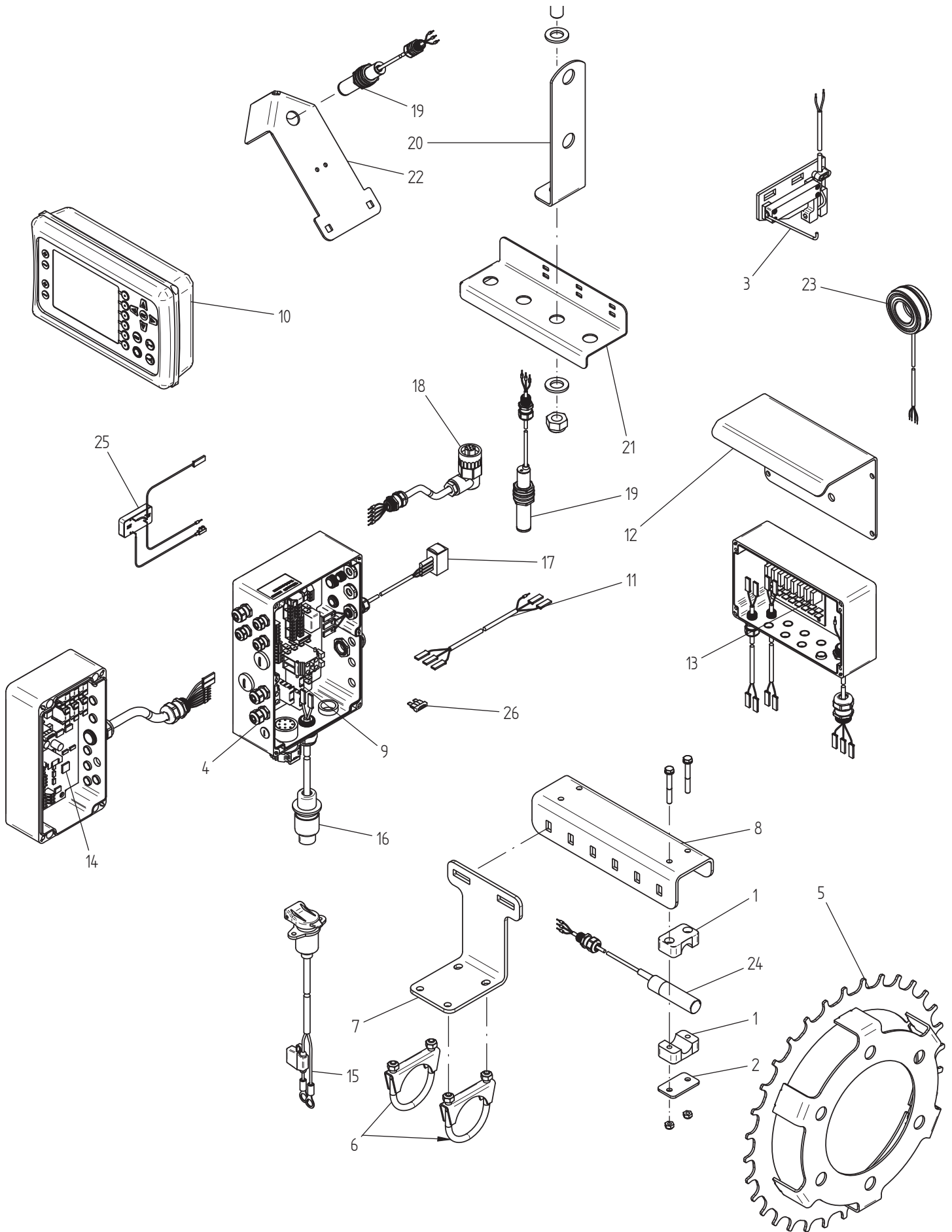


Fig. 14

Utgave: Issue: 1		Redskap: POTETSETTER UP3745-60-80 Implement: POTATO PLANTER UP3745-60-80		<h1>Underhaug</h1>	
Dato: Date: 03-09		Enhet: Unit: EL. STYRING EL. CONTROL			
Ref. No.	Delenr. Part nr.	Ant. Qty.	Gjenstand:	Description:	Anmerkning: Note:
1	UH300844	2	RØRKLAMMERHALVDEL Ø20	TUBE CLAMP D20	
2	UH300867	1	TOPPLATE 20-25 ENKEL	TOP PLATE D22	
3a	UH216088	3	POTETSENSOR M95	POTATO SENSOR M95	
3b	UH216093	3	POTETSENSOR M95 M/6M KABEL	SENSOR W/6M CABLE	
4	UH441069	6	PAKKNIPPEL PG7 M/MUTTE	COMPRESSION GLAND PG7	
5	UH210842	1	SENSORRING HJULNAV 6HOL	SENSOR RING WHEEL	
6	UH210849	2	RØRKLAMMER Ø60-M8	TUBE CLAMP D60-M8	
7	UH210845	1	HJULSENSORHOLDER	WHEEL SENSOR BRACKET	
8	UH210848	1	SENSORFESTE	SENSOR BRACKET	
9	UH210817P	1	PRINTKORT PROGRAMERT	PRINTCARD WITH SOFTWARE	
10	UH210816	1	BETJENINGSPANEL FOCUS 2	OPERATOR BOX FOCUS 2	
11	UH210881	3	LEDNING 3X0.5 9 M AMP GRÅ	WIRE 3X0.5 9 M AMP GREY	
12	UH213556	1	FESTE FOR EL.BOKS	BRACKET FOR ELECTRIC BOX	
13	UH210874	1	PRINTKORT EL. BELTESKAKING	PRINTCARD EL. WEB AGITATION	
14	UH210818	1	PRINTKORT RADGJØDSLER	PRINTCARD FERTILIZIER	
15	UH412575	1	BATTERIKABEL KOMPL.	BATTERY CABLE ASSY	
16	UH210823	1	BATTERIKABEL L=6 M	BATTERY CABLE L=6M	
17	UH210824	1	LEDNING 3X0.5 3.5 M AMP GRÅ	VALVE CABLE L=3.5M	
18	UH210883	1	CAN KABEL 10M	CAN CABLE 10M	
19	UH210820	1	SENSOR ULTRALYD	SENSOR	
20	UH210856	1	DYBDESENSORFESTE 6R	DEPTH SENSOR BRACKET 6R	
21	UH210857	1	DYBDESENSORFESTE FORL.	SENSOR BRACKET EXTENSION	
22	UH210841	1	SENSORFESTE	SENSOR BRACKET	
23	UH210327	1	SENSOR KULELAGER BMB 6206	SENSOR BEARING 6206	
24	UH210821	1	SENSOR IND. L=6M	SENSOR FOR WHEEL 6M	
25	UH210890	1	OMFORMER 24V M/LEDNINGER	CONVERTER 24 V W/CABLES	
26a	UH210952	1	SIKRING FLATST. 3A 32V ROSA	FUSE 3A 32V PINK	
26b	UH210953	1	SIKRING FLATST. 5A 32V ORANGE	FUSE 5A 32V ORANGE	
26c	UH210957	1	SIKRING FLATST. 20A 32V GUL	FUSE 20A 32V YELLOW	
26d	UH210958	1	SIKRING FLATST. 25A 32V HVIT	FUSE 25A 32V WHITE	
26e	UH210959	1	SIKRING FLATST. 30A 32V GRØNN	FUSE 30A 32V GREEN	

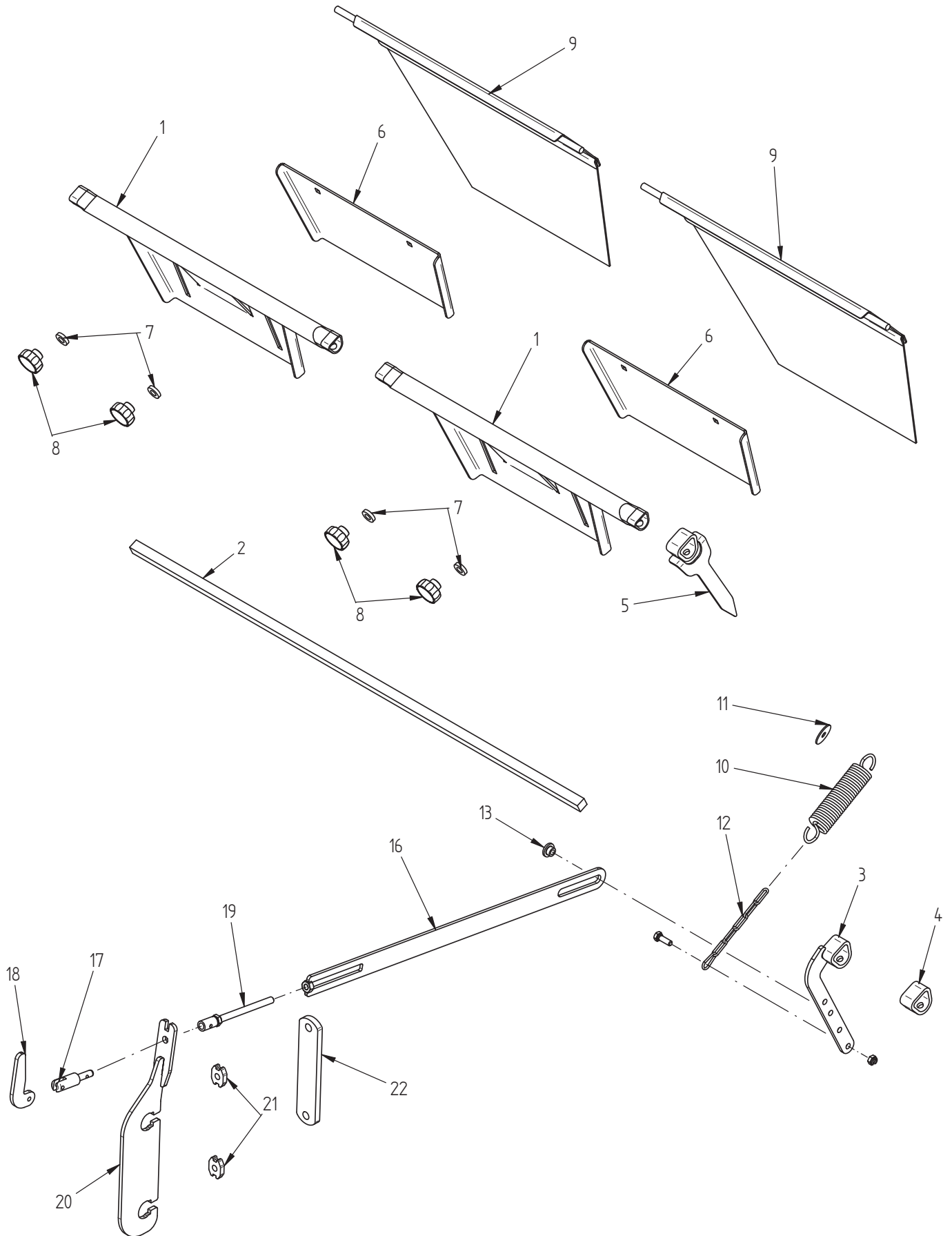


Fig. 15

Utgave: Issue: 1		Redskap: POTETSETTER UP3745-60-80 Implement: POTATO PLANTER UP3745-60-80		<h1>Underhaug</h1>	
Dato: Date: 03-09		Enhet: Unit: STRUPEPLATER CHOKE PLATES			
Ref. No.	Delenr. Part nr.	Ant. Qty.	Gjenstand:	Description:	Anmerkning: Note:
1	UH210355	2	SVINGPLATE 3700 SV.	CHOKE PLATE 3700	
2	UH210354	1	FIRKANTAKSEL 4KT.16X975	SQUARE SHAFT SQ.16X975	
3	UH210365	1	STILLARM SV.	ADJUSTER ARM	
4	UH210366	1	STOPPRING M12 M/FLATSIDE	STOP RING M12 W/FLAT SIDE	
5	UH210369	1	ANVISER SV.	INDICATOR	
6	UH210358	2	SVINGPLATEFORLENGER 3700	CHOKE PLATE EXTENSION 3700	
7	UH231499	4	BRIKKE Ø11-Ø22X5 ELZN	WASHER D11-D22X5	
8	UH855378	4	STJERNERATT M8	HANDWHEEL M8	
9	UH210360	2	STRUPEPLATEDEKSEL	CHOKE PLATE COVER	
10	UH300336	1	STREKKFJØR Ø4-Ø31X165	TENSION SPRING D4-D31X165	
11	UH301759	1	BRIKKE Ø9-Ø35X2	WASHER D9-D35X2	
12	UH223075	1	KJETTING Ø3-26X156	CHAIN D3-26X156	
13	UH310912	1	BØSSING Ø8.4X10-Ø13.8/7	BUSHING D8.4X10-D13.8/7	
16	UH211777	2	STILLSTAG M/MUTTER M10	ADJUSTMENT STAY W/M10 NUT	
17	UH213591	1	BOLT M/GAFFELHODE Ø10X20	BOLT W/FORKED HEAD d10X20.5	
18	UH213592	1	HENDEL	HANDLE	
19	UH210372	1	JUSTERSKRUE M10 SV.	ADJUSTING SCREW M10	
20	UH213117	2	STRUPEBRAKETT SV.	BRACKET	
21	UH210309	4	MUTTER M12 M/STYRESPOR	NUT M12 W/GUIDE NOTCHES	
22	UH211716	2	LASK 40X10-Ø13/163/Ø13	Clamp 40x10-D13/163/D13	

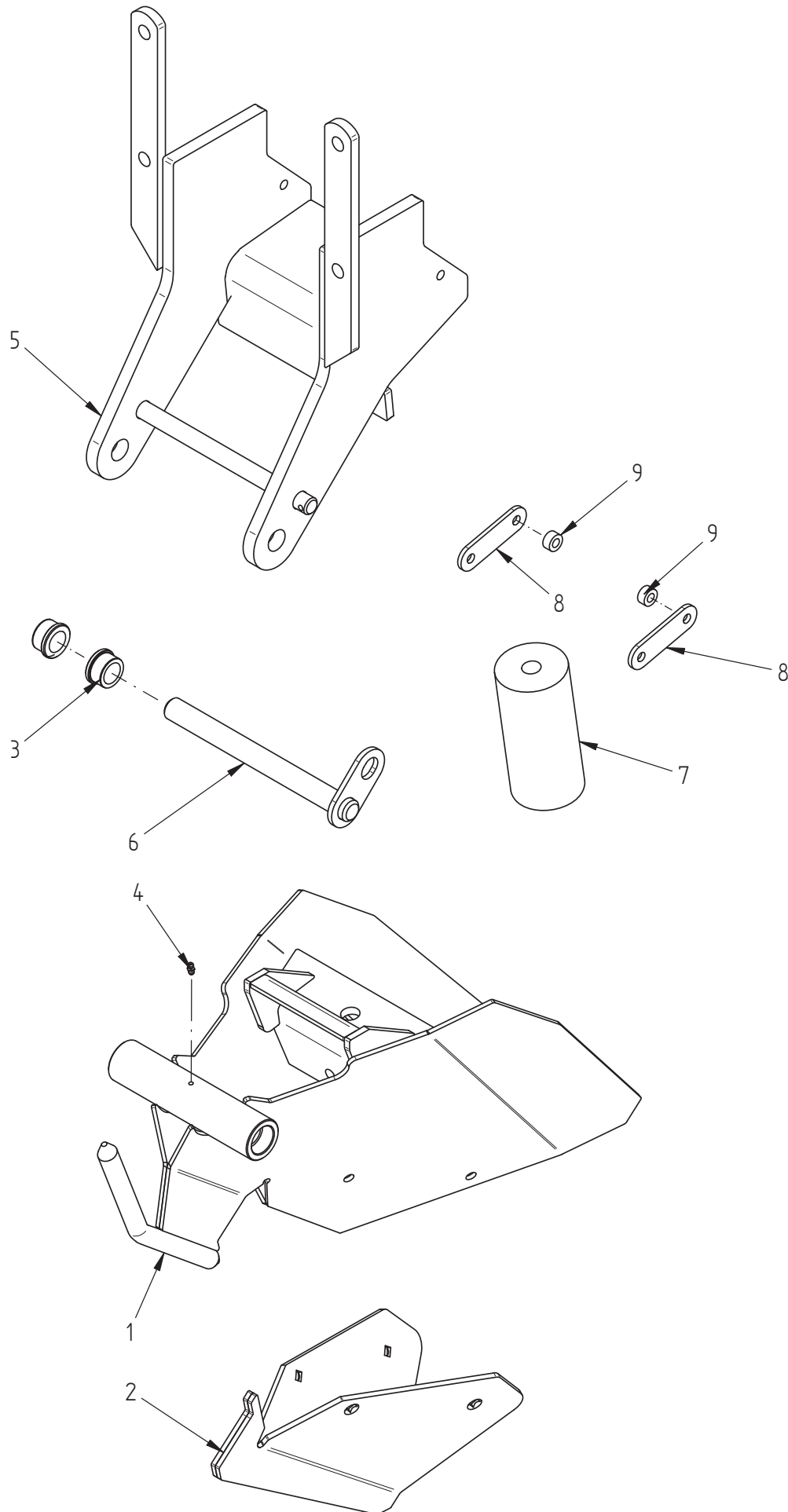


Fig. 16

Utgave: Issue:		1		Redskap: POTETSETTER UP3745-60-80 Implement: POTATO PLANTER UP3745-60-80		Underhaug	
Dato: Date:		03-09		Enhet: SETTESKJÆR HD Unit: IMPACT FURROW OPENER			
Ref. No.	Delenr. Part nr.	Ant. Qty.	Gjenstand:	Description:	Anmerkning: Note:		
1	UH211605-K	1	SETTESKJÆRKROPP HD SV. 3760	OPENER BODY			
2	UH217626-K	1	SLITESPISS HD	WEARING NOSE			
3	UH410389	2	LAGERFORING Ø25X21-Ø35/16	BUSHING D25X21-D35/16			
4	UH873540	1	SMØRENIPPEL M6 RETT	GREASE NIPPLE M6 STRAIGHT			
5	UH211620	1	SKJÆROPPHENG HD 3700	FURROW OPENER HD			
6	UH211613	1	AKSEL Ø25 SV.	SHAFT D25			
7	UH218075	1	FJØRELEMENT Ø80X170 PLAST	SPRING ELEMENT D80X170			
8	UH211619	2	LASK 30X5-Ø11/71/Ø11	FLANGE D11/71/D11			
9	UH411787	2	HYLSE Ø10.4-Ø20X10	COLLAR D10.4-D20X10			

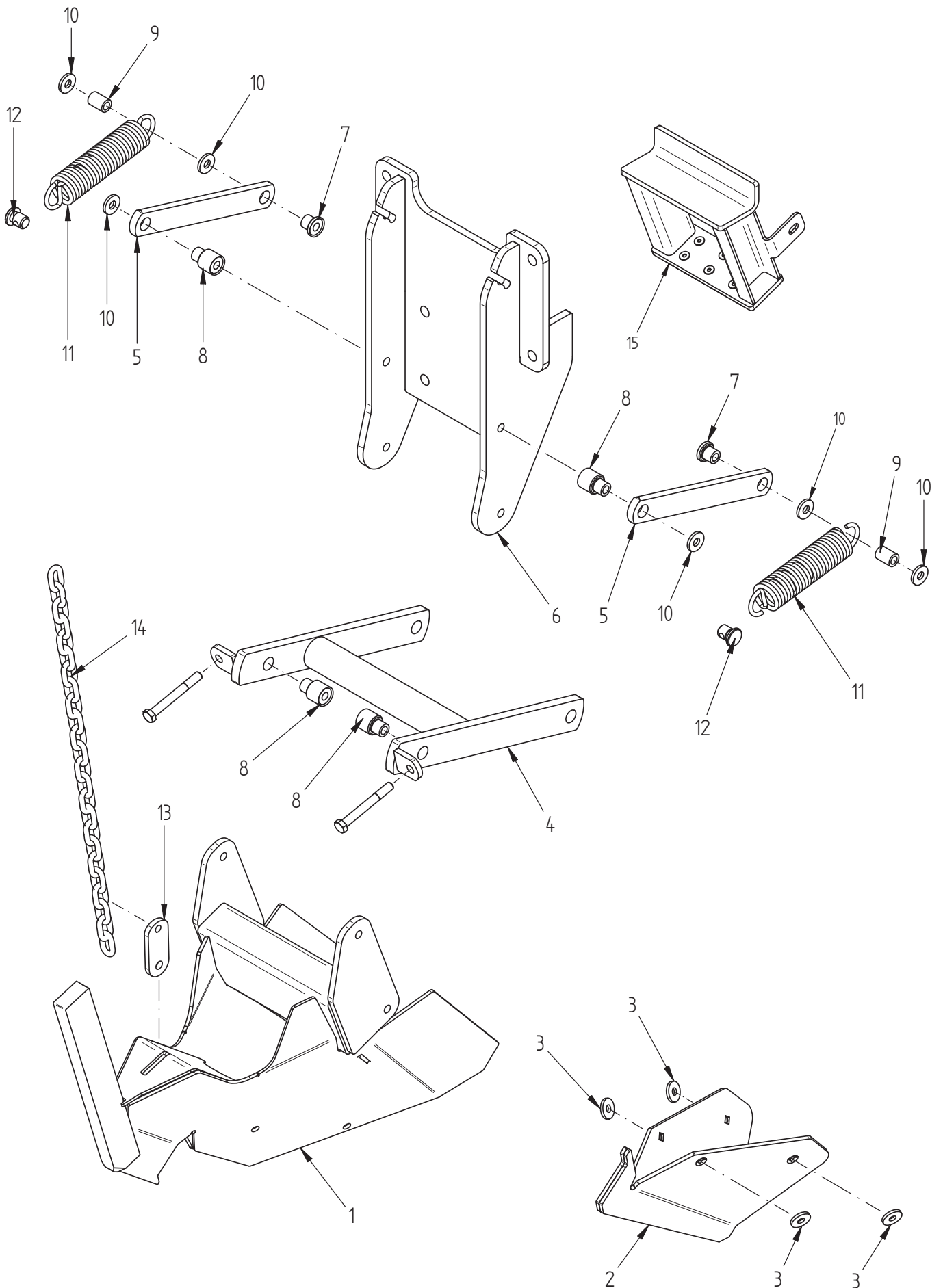


Fig. 17

3745-60-80_17

Utgave: Issue: 1		Redskap: POTETSETTER UP3745-60-80 Implement: POTATO PLANTER UP3745-60-80		Underhaug	
Dato: Date: 03-09		Enhet: Unit: FLYTENDE SETTESKJÆR FLOATING FURROW OPENER			
Ref. No.	Delenr. Part nr.	Ant. Qty.	Gjenstand:	Description:	Anmerkning: Note:
1	UH210605-K	1	SETTESKJÆRKROPP HD	OPENER BODY	
2	UH217626-K	1	SLITESPISS HD SV.	WEARING NOSE	
3	UH270448	4	BRIKKE Ø11-Ø30X4	WASHER D11-D30X4	
4	UH210615	1	PARALLELLSTAG NEDRE	TRACK ROD LOWER	
5	UH210612	2	PARALLELLSTAG ØVRE	TRACK ROD UPPER	
6	UH210620	1	RAMMEFESTE SV.	BRACKET	
7	UH214262	4	BØSSING Ø12.4X24.5-Ø20/16.5	BUSHING D12.4X24.5-20/16.5	
8	UH214264	4	BØSSING Ø12,4X42,5-Ø20/16.5	BUSHING D12,4X42,5-D20/16.5	
9	UH210623	2	HYLSE Ø12,4-Ø20X28	SLEEVE D12,4-D20X28	
10	UH214263	12	BRIKKE Ø12.5-Ø30X4	WASHER D12,5-D30X4	
11	UH401432	2	STREKKFJØR Ø6-Ø40X212	TENSION SPRING Ø6-Ø40X212	
12	UH302041	2	MUTTER	NUT	
13	UH210656	1	ØRE Ø13-Ø11	EAR D13-D11	
14	UH217523	1	KJETTING Ø8-26X624	CHAIN D8-26X624	
15	UH210625	1	BOTNANSLAG 4R,6R KOMPL.	IMPACT BRACKET FURROW	

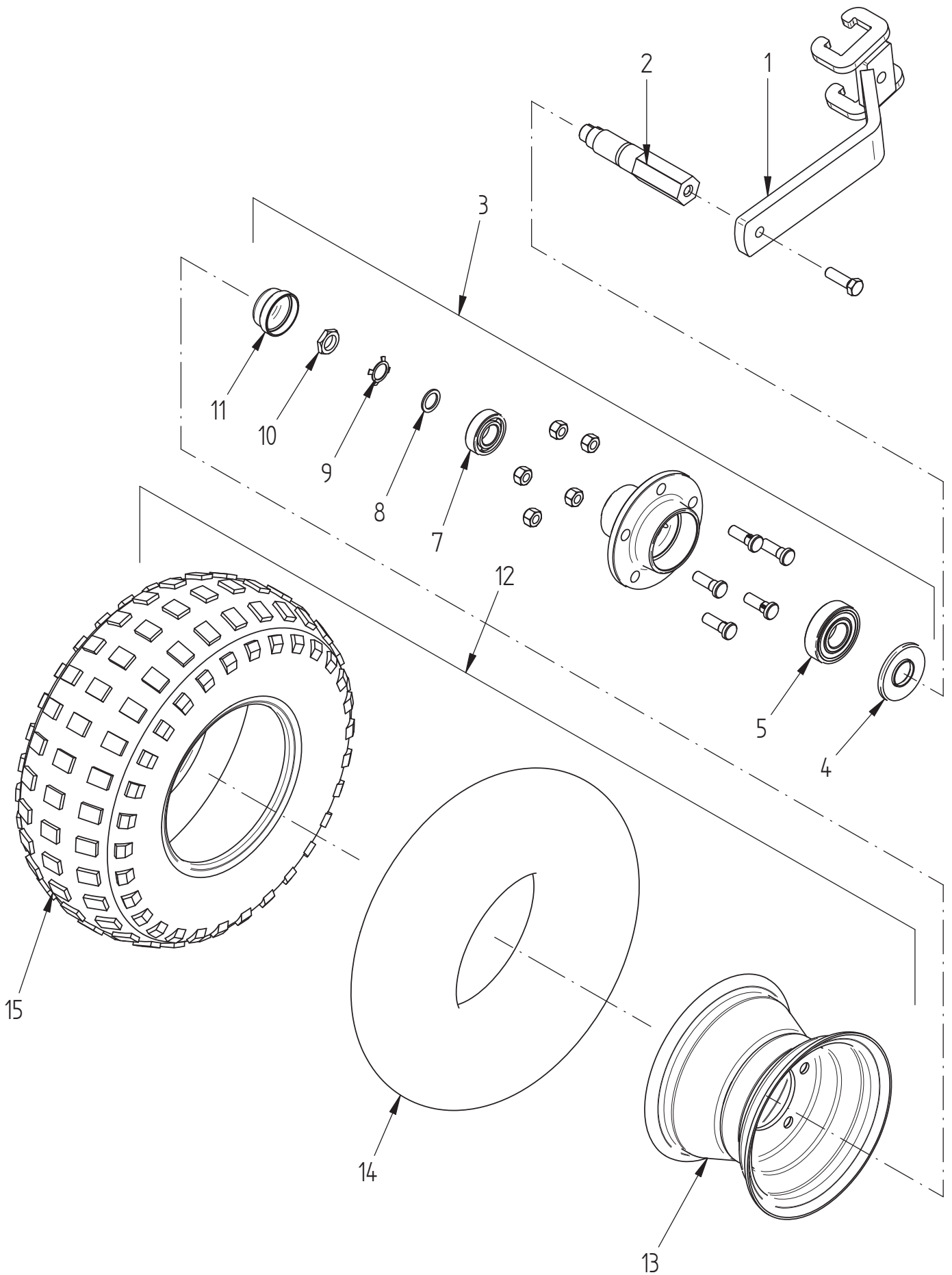


Fig. 18

Utgave: Issue: 1		Redskap: POTETSETTER UP3745-60-80 Implement: POTATO PLANTER UP3745-60-80		<h1>Underhaug</h1>	
Dato: Date: 03-09		Enhet: Unit: DYBDEHJUL DEPTH WHEEL			
Ref. No.	Delenr. Part nr.	Ant. Qty.	Gjenstand:	Description:	Anmerkning: Note:
1	UH210652	1	HJULARM SV.	WHEEL ARM	
2	UH215779	1	HJULAKSEL 6KT.32	WHEEL SHAFT	
3	UH228670	1	NAV 5 BOLTER Ø115 M/M12 BOL-	HUB ASSY. 5BOLTS-M12	
4	UH871831	1	TETNINGSLAMELL	LAMELLA	
5	UH870832	1	KULELAGER 6306-2RS	BALL BEARING 6306-2RS	
6	UH873540	1	SMØRENIPPEL M6 RETT	GREASE NIPPLE M6 STRAIGHT	
7	UH870725	1	KULELAGER 6205	BALL BEARING 6205	
8	UH868604	1	STØTTERING 20X28X2	SUPPORT RING 20X28X2.0	
9	UH869879	1	LÅSEBRIKKE Ø20	LOCK WASHER D20	
10	UH869854	1	AKSELMUTTER M20X1	NUT M20X1	
11	UH228672	1	NAVKOPP	HUB CUP	
12	UH412501	1	HJUL 190-8"LP. 8PR	WHEEL 190-8"LP. 8PR	
13	UH231491	1	FELG 5.375X8"	RIM 5.375X8"	
14	UH231391	1	SLANGE LP190-8	TUBE LP190-8	
15	UH412502	1	DEKK LP190-8 8-LAGS	TYRE LP190-8 8 PLY	

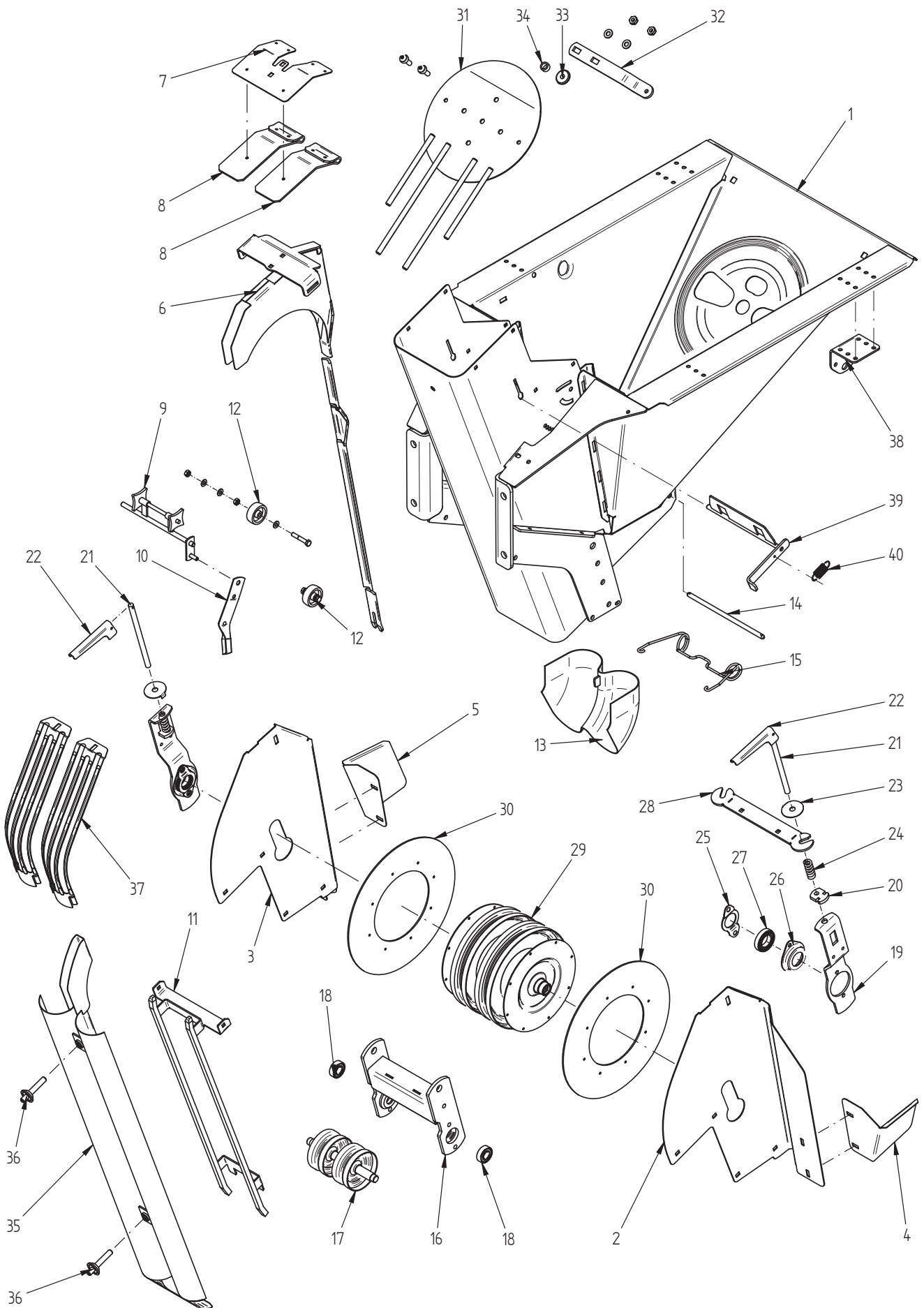


Fig. 19

3745-60-80_19

Utgave: Issue:		1		Redskap: Implement:		POTETSETTER UP3745-60-80 POTATO PLANTER UP3745-60-80		Underhaug	
Dato: Date:		03-09		Enhet: Unit:		SETTEENHET MEK. SKAKING PLANTING UNIT MECH. AGITATION			
Ref. No.	Delnr. Part nr.	Ant. Qty.	Gjenstand:	Description:	Anmerkning: Note:				
1	UH210015	1	SETTEENHET 3700 SV.	PLANTING UNIT 3700					
2	UH210032	1	SIDEPLATE VENSTRE	SIDE PLATE LH					
3	UH210033	1	SIDEPLATE HØGRE	SIDE PLATE RH					
4	UH210036	1	KASSEHJØRNE V.	BOX CORNER LH					
5	UH210037	1	KASSEHJØRNE H.	BOX CORNER RH					
6	UH210160	1	BELTESKINNE 3700	BELT RAIL 3700					
7	UH210153	1	SKJERMPATE	GUIDE PLATE					
8	UH210154	2	INNØPSSKJERMGUMMI	GUIDING RUBBER PLATE					
9	UH215081	1	RISTEAKSEL SV.	AGITATOR					
10	UH222599	1	RISTESPAK M/NAGLE	AGITATOR LEVER					
11	UH210065	1	STØTTESKINNE 3700 SV.	SUPPORT RAILS 3700					
12	UH241341	1	HJUL PLAST Ø50	WHEEL PLASTIC D50					
13	UH210085	1	SLUSE 3700 SV.	LOCK GATE 3700					
14	UH215049	1	BOLT Ø10-Ø4/230/Ø4	BOLT D10-D4/230/D4					
15	UH215026	1	SLUSEFJØR	SPRING					
16	UH210129	1	BOTNLAGER 3700 SV.	BOTTOM BEARING					
17	UH210135	1	BOTNAKSEL 3700 SV.	BOTTOM PULLEY 3700					
18	UH870718	1	KULELAGER 6203 2RS-C3	BALL BEARING 6203-2RS1-C3					
19	UH215091	1	LAGEROPPHENG	BEARING HOLDER					
20	UH222628	1	MUTTERBRIKKE	WASHER					
21	UH210143	1	SKRUE M12X212	BOLT M12X212					
22	UH222620	1	HÅNDTAK	LEVER					
23	UH210144	1	STYREBRIKKE Ø13	GUIDING WASHER D13					
24	UH215093	1	TRYKKFJØR Ø4.5-Ø20X51	COMPRESSION SPRING					
25	UH215092	1	GUIDE BEARING	GUIDE BEARING					
26	UH219250	1	LAGERHUS Ø55-Ø36	BEARING HOUSING D55-D36					
27	UH870632	1	KULELAGER 6006-2RS	BALL BEARING 6006-2RS1					
28	UH210150	1	STRAMMEÅK	YOKE					
29	UH210120	1	TOPPAKSEL Ø254	TOPP PULLEY D254					
30	UH210117	1	LEDETRINSESKIVE	GUIDING DISK					
31	UH210346	1	MATETALLERKEN	FEEDING DISK					
32	UH210345	1	TALLERKENARM	DISK ARM					
33	UH440747	1	BØSSING Ø10.3X10.5-Ø24/5.5	BUSHING D10.3X10.5-D24/5.5					
34	UH222640	1	HYLSE Ø13.5-Ø20X10	SPACER D13.5-D20X10					
35	UH210072	1	SETTERØRSFORING 3700 SV.	PLANTING TUBE LINING 3700					
36	UH210080	2	STILLSKRUE M12X80	ADJUSTING SCREW M12X80					
37	UH210027-K	2	LEDEGRIND	GUIDE GRILLE					
38	UH210341	1	HENGSELEØRE	HINGE EAR					
39a	UH215107	1	BELTESTOPPER V. SV.	CUP BELT STOPPER LH	EXTRA				
39b	UH215108	1	BELTESTOPPER H. SV.	CUP BELT STOPPER RH	“				
40	UH241438	1	STREKKFJØR Ø1.8-Ø18.2X57	SPRING D1,8-D18,2x57	“				

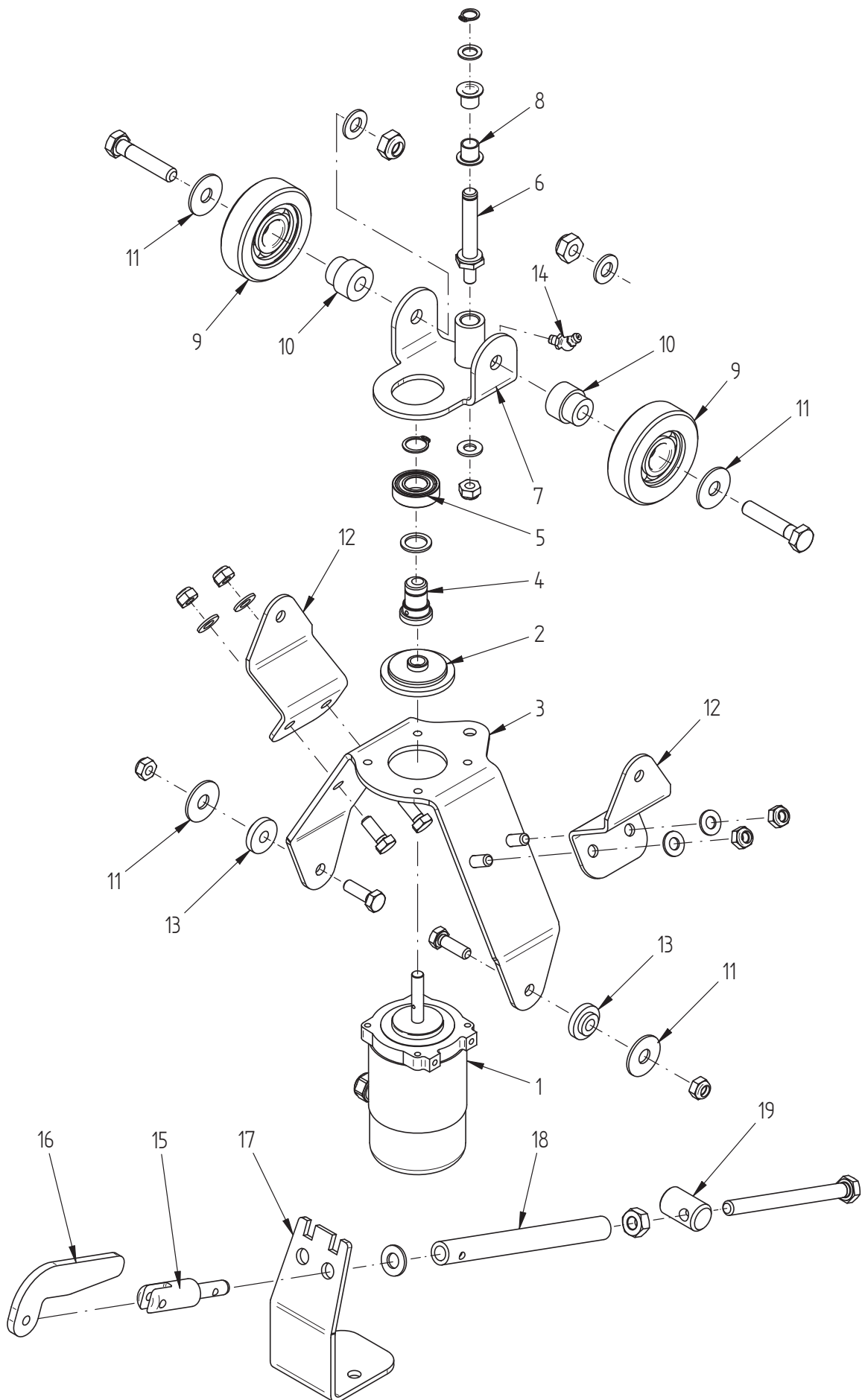


Fig. 20

Utgave: Issue: 1		Redskap: POTETSETTER UP3745-60-80 Implement: POTATO PLANTER UP3745-60-80		<h1>Underhaug</h1>	
Dato: Date: 03-09		Enhet: Unit: SETTEENHET EL. SKAKING PLANTING UNIT EL. AGITATION			
Ref. No.	Delenr. Part nr.	Ant. Qty.	Gjenstand:	Description:	Anmerkning: Note:
1	UH213561	1	EL.MOTOR 24V/3000RPM	EL.MOTOR 24V/3000RPM	
2	UH213565	1	AKSELTETNING	SHAFT SEAL	
3	UH213564	1	MOTORFESTE	MOTOR BRACKET	
4	UH213576	1	EKSENTERBOSS Ø8-Ø15X0.8	ECCENTRIC HUB D8-D15X0.8	
5	UH870612	1	KULELAGER 6002-2RS	BALL BEARING 6002-2RS	
6	UH213570	1	AKSELTAPP Ø10X45-M8	SHAFT TUBE D10X45-M8	
7	UH213572	1	SKAKEPLATE M/LAGERHYLSE	AGITATOR PLATE W/BEARING	
8	UH213575	1	LAGERFORING Ø10X12-Ø12/11	BUSHING D10X12-D12/11	
9	UH213580	2	SKAKEHJUL M/LAGER	AGITATOR WHEEL W/BEARING	
10	UH333528	2	BØSSING Ø10.5X23-Ø20/11	BUSHING D10.5X23-D20/11	
11	UH217197	2	BRIKKE Ø10.5-Ø30X2	WASHER D10.5-D30X2	
12	UH213566	2	STILLFESTE	ADJUSTMENT BRACKET	
13	UH213675	2	BØSSING Ø8.4X8-Ø16X3.5	BUSHING d8.4X8-d16X3.5	
14	UH873541	1	SMØRENIPPEL M6-45GR.	GREASE NIPPLE M6-45DEG.	
15	UH213591	1	BOLT M/GAFFELHODE Ø10X20	BOLT W/FORKED HEAD d10X20.5	
16	UH213592	1	HENDEL	HANDLE	
17	UH210380	1	STILLBRAKETT	ADJUSTMENT BRACKET	
18	UH210378	1	STANG M10-Ø16X165	ROD M10-D16X165	
19	UH210377	1	STILLMUTTER M8-M10	ADJUSTING NUT M8-M10	

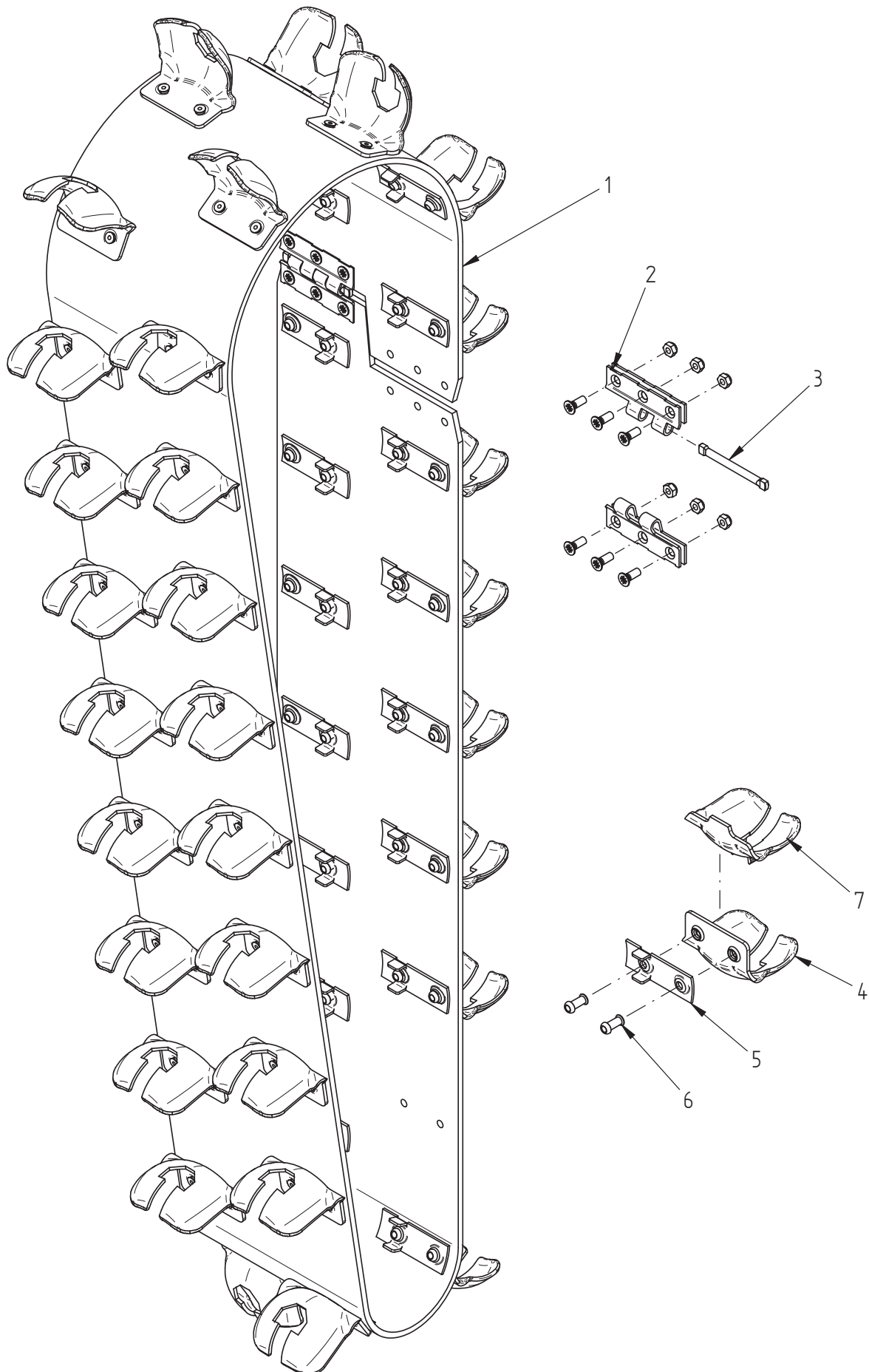


Fig. 21

3745-60-80_21

Utgave: Issue: 1		Redskap: POTETSETTER UP3745-60-80 Implement: POTATO PLANTER UP3745-60-80		Underhaug	
Dato: Date: 03-09		Enhet: Unit: KOPPEBELTE CUP BELT			
Ref. No.	Delenr. Part nr.	Ant. Qty.	Gjenstand:	Description:	Anmerkning: Note:
1	UH210175	1	BELTEREM 3700	RUBBER BELT 3700	
2	UH215156	1	HENGSELEDD	CONNECTOR	
3	UH215158	1	HENGSEBOLT	CONNECTOR PIN	
4a	UH210180	1	STÅLKOPP 3700 STOR ZN	STEELCUP 3700 BIG ZN	
4b	UH210185	1	KOPP 66 PULVERLAKKERT	CUP 66 POWDERPAINTED	
4c	UH210186	1	KOPP 74 PULVERLAKKERT	CUP 74 POWDERPAINTED	
4d	UH210179	1	STÅLKOPP	STEELCUP BIG ZN	
4e	UH210181	1	STÅLKOPP 3700 STOR CR	STEELCUP 3700 BIG CR	
4f	UH222822	1	KOPP 66	CUP 66	
4g	UH222823	1	KOPP 74	LARGE CUP 74	
5	UH215154	1	KOPPESTYRING	CUP GUIDING	
6	UH862063	1	POPNAGLE Ø6.4X17.8	POP RIVET D6.4X17.8	
7a	UH210184	1	INNLEGGSKOPP LITEN GRØNN	INSERT CUP SMALL GREEN	
7b	UH210182	1	INNLEGGSKOPP MEDIUM HVIT	INSERT CUP MEDIUM WHITE	

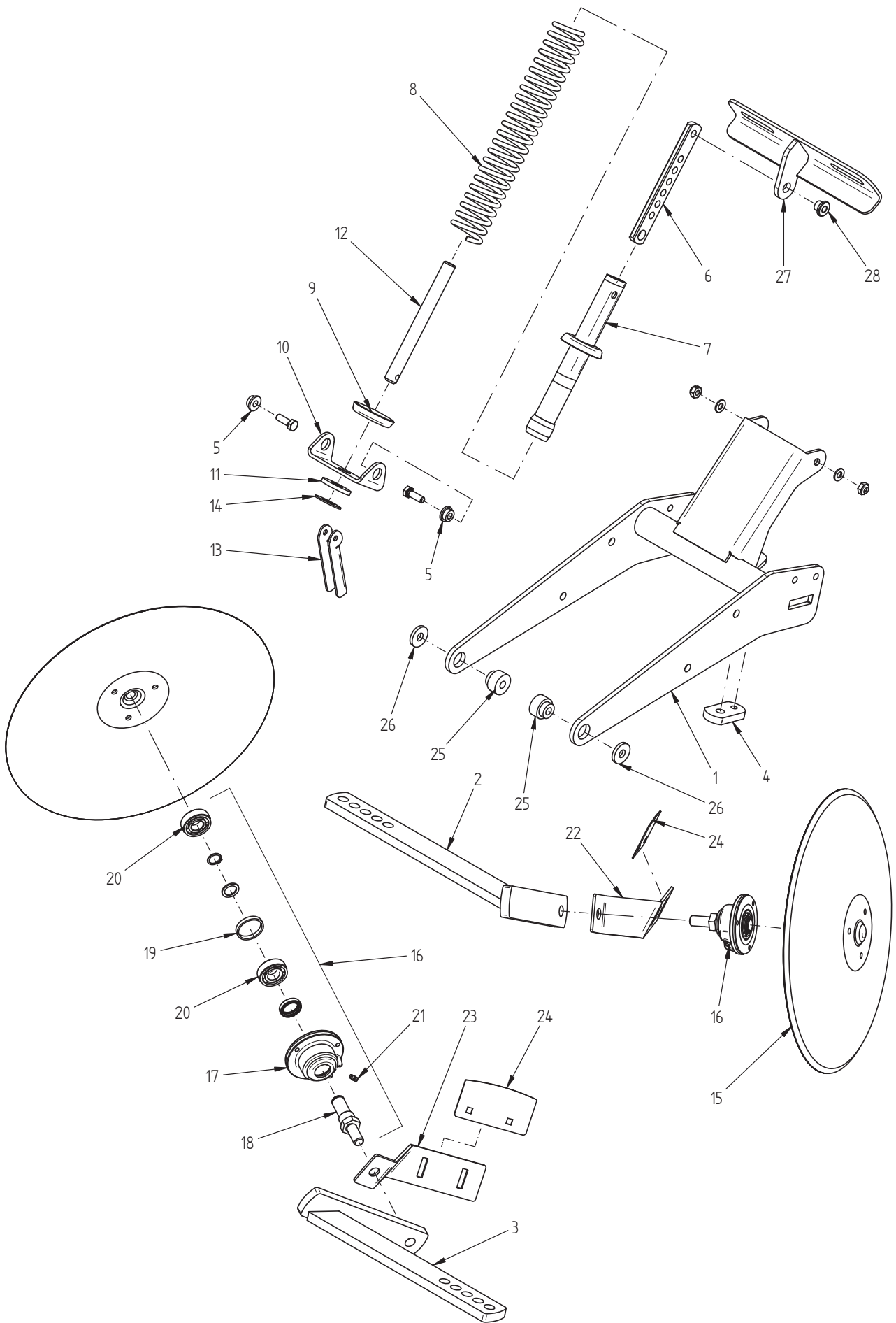


Fig. 22

Utgave: Issue:		Redskap: Implement:		Underhaug	
1		POTETSETTER UP3745-60-80 POTATO PLANTER UP3745-60-80			
Dato: Date:		Enhet: Unit:		Fig: 22	
03-09		RULLESKJÆRENHET EKSTRA COVERING DISK ROW UNIT EXTRA			
Ref. No.	Delenr. Part nr.	Ant. Qty.	Gjenstand:	Description:	Anmerkning: Note:
1	UH212050	1	REGULERRAMME	ADJUSTING DISKS FRAME	
2	UH212060-K	1	RULLESKJÆRARM V.	DISC ARM LH	
3	UH212061-K	1	RULLESKJÆRARM H.	DISC ARM RH	
4	UH214245	1	MUTTERBRIKKE M16-Ø10	NUT WASHER	
5	UH255866	2	BØSSING Ø10.4X10-Ø19/7	BUSHING D10.4X10-D19/7	
6	UH212077	1	REGULERSTANG	ADJUSTING ROD	
7	UH212080	1	REGULERHYLSE SV.	ADJUSTING SLEEVE	
8	UH223494	1	TRYKKFJØR Ø7-Ø52X370	TENSION SPRING D7-D52X370	
9	UH212082	1	FJØRANSATSKOPP	COIL SPRING GUIDE	
10	UH212086	1	REGULERHYLSEFESTE	ADJUSTING SLEEVE BRACKET	
11	UH212085	1	GUMMIDEMPER Ø21-Ø50X6	RUBBER CUSHION D21-D50X6	
12	UH212084	1	STILLSTAG M20	ADJUSTING SCREW M20	
13	UH212087	1	HÅNDGREP	HANDLE	
14	UH258683	1	BRIKKE Ø21.5-Ø45X2	WASHER D21.5-D45X2	
15	UH271250	1	RULLESKJÆRPLATE 450	DISC 450	
16	UH271252	1	KULELAGERNAV 16MM	BALL BEARING HUB 16MM	
17	UH271253	1	BOSS	BOSS	
18	UH271254	1	AKSEL	SHAFT	
19	UH271255	1	AVSTANDSRING	SPACER	
20	UH870720	1	KULELAGER 6204	BALL BEARING 6204	
21	UH873540	1	SMØRENIPPEL M6 RETT	GREASE NIPPLE M6 STRAIGHT	
22	UH214226	1	RULLESKJÆRAVSKRAPER V.	SCRAPER LEFT	
23	UH214227	1	RULLESKJÆRAVSKRAPER H.	SCRAPER RIGHT	
24	UH214229	2	AVSKRAPERPLATE	ATTACHING BAR	
25	UH412720	2	BØSSING Ø12.5X25.5-Ø25X9	BUSHING	
26	UH228577	2	BRIKKE Ø13.5-Ø35X5	WASHER D13.5-D35X5	
27	UH211785	1	OPPHENGSFESTE	SUSPENSION BRACKET	
28	UH210720	1	BØSSING Ø10.4X15-Ø16/11	BUSHING D10.4X15-D16/11	
*	UH911027		PLASTPLUGG Ø15.4 NR.27	PLUG Ø15.4 NO.27	

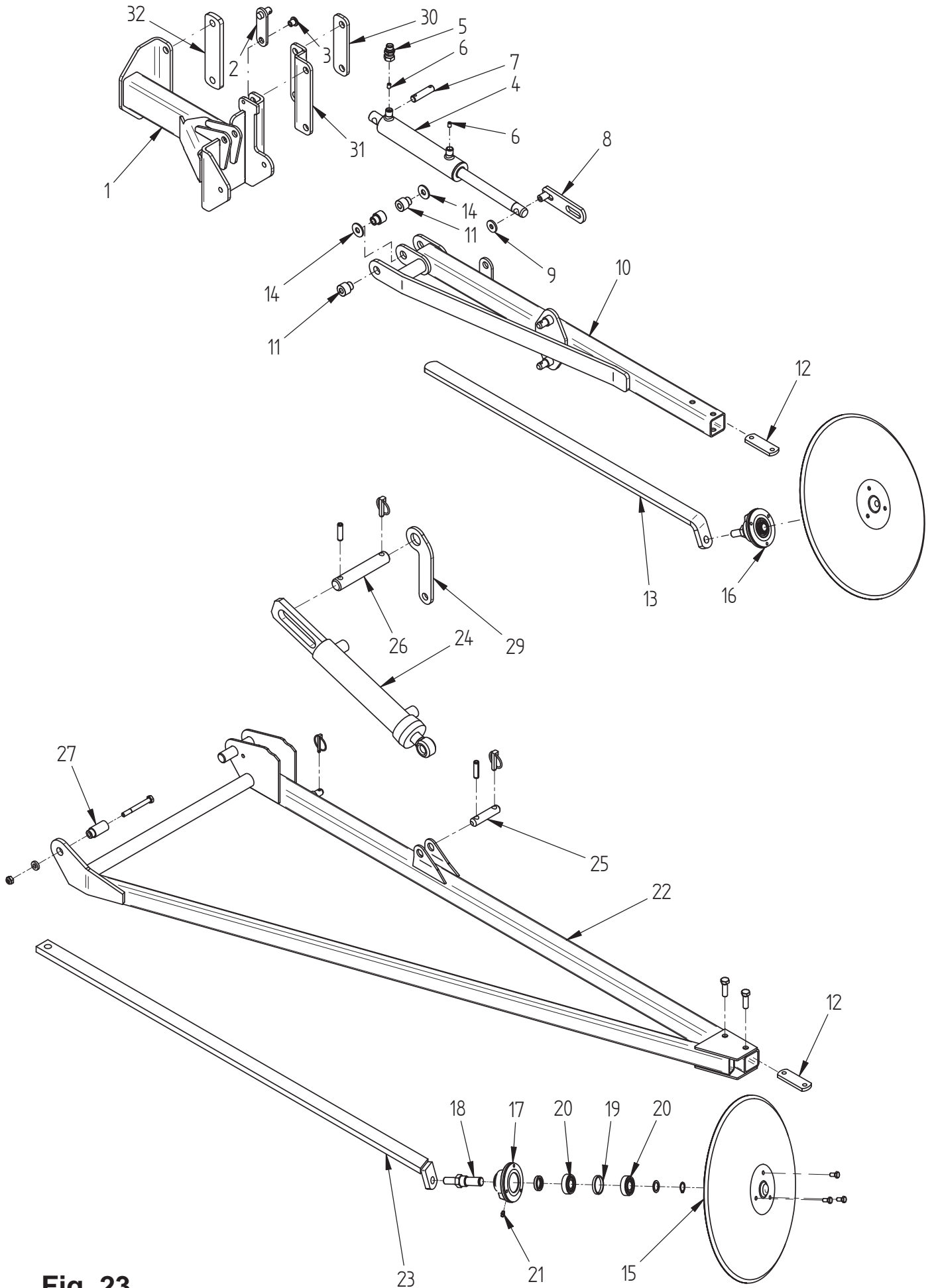


Fig. 23

3745-60-80_23

Utgave: Issue: 1		Redskap: POTETSETTER UP3745-60-80 Implement: POTATO PLANTER UP3745-60-80		<h1>Underhaug</h1>	
Dato: Date: 03-09		Enhet: Unit: MARKØR DV EKSTRA MARKER DA EXTRA			
Ref. No.	Delenr. Part nr.	Ant. Qty.	Gjenstand:	Description:	Anmerkning: Note:
			MARKØR 4-RADS	MARKER 4-ROWS	
1a	UH213315	1	MARKØRRAMMEFESTE V.	MARKER BRACKET LH	
1b	UH213316	1	MARKØRRAMMEFESTE H. SV.	MARKER BRACKET RH	
2	UH213342	2	LÅSELENKE SV.	LOCKING LINK	
3	UH211769	2	BØSSING Ø8,4X16-Ø13,8/13	BUSHING D8,4X16-D13,8/13	
4	UH310089	2	SYLINDER DV Ø40/Ø25X300+180	CYLINDER DA D40/D25X300+180	
*	UH310092		SYL. PAKN. SETT Ø40/Ø25	CYLINDER SEAL KIT D40/D25	
5	UH410785	2	ANSATS 3/8"-3/8" BSP UI	FIRM SWIVEL 3/8"BSP"	
6	UH300953	4	STRUPENIPPEL M8 Ø1.0 MM	RESTRICTOR M8 D1.0 MM	
7	UH320247	2	BOLT Ø16-Ø6.4/50/Ø6.4	BOLT D16-D6.4/50/D6.4	
8	UH213333	2	SPORPLATE	PLATE	
9	UH270448	2	BRIKKE Ø11-Ø30X4	WASHER D11-D30X4	
10	UH213336	2	MARKØRARM	MARKER ARM	
11	UH217988	6	LAGERFORING	BEARING LINING	
12	UH255889	2	LASK 32X8-M12/70/M12	CLAMP 32X10-M12/70/M12	
13a	UH217992	1	MARKØRSTANG V.	MARKER STAY LEFT	
13b	UH217993	1	MARKØRSTANG H.	MARKER STAY RH	
14	UH228241	2	BRIKKE Ø13.5-Ø35X3	WASHER D13.5-D35X3	
15	UH271250	2	RULLESKJÆRPLATE 450	DISC 450	
16	UH271252	2	KULELAGERNAV 16MM	BALL BEARING HUB 16MM	
17	UH271253	2	BOSS	BOSS	
18	UH271254	2	AKSEL	SHAFT	
19	UH271255	2	AVSTANDSRING	SPACER	
20	UH870720	2	KULELAGER 6204	BALL BEARING 6204	
21	UH873540	2	SMØRENIPPEL M6 RETT	GREASE NIPPLE M6 STRAIGHT	
			MARKØR 6-8 RADS	MARKER 6-8 ROWS	
22a	UH214422	1	MARKØR SV. V.	MARKER LH	
22b	UH214423	1	MARKØR SV. H.	MARKER RH	
23a	UH214435	1	STANG SV. V.	STAY LH	
23b	UH214436	1	STANG SV. H.	STAY RH	
24	UH300819	2	SYLINDER DV Ø50/28X400+215	CYLINDER DA D50/28X400+215	
*	UH300828		SYL. PAKN. SETT Ø50/Ø28	CYLINDER SEAL KIT D50/D28	
25	UH410213	2	BOLT Ø20-Ø12/60/Ø12	PIN Ø20-Ø12/60/Ø12	
26	UH214434	2	BOLT Ø30-Ø12/140/Ø12	PIN D30-D12/125/12	
27	UH214448	2	BØSSING Ø10.2X54-Ø20/11	BUSHING D10.2X54-D20/11	
28	UH231499	2	BRIKKE Ø11-Ø22X5	WASHER D11-D22X5	
29	UH214447	2	LÅSESTAG	STAY	
30	UH213341	2	LASK 50X12 - Ø17/128/Ø17	CLAMP 50x12 - D17/128/D17	
31	UH213340	2	FRAMBYGNINGSFESTE	BRACKET	
32	UH210048	2	LASK 50X12 - Ø17/167/Ø17	BRACKET 50X12 - D17/167/D17	

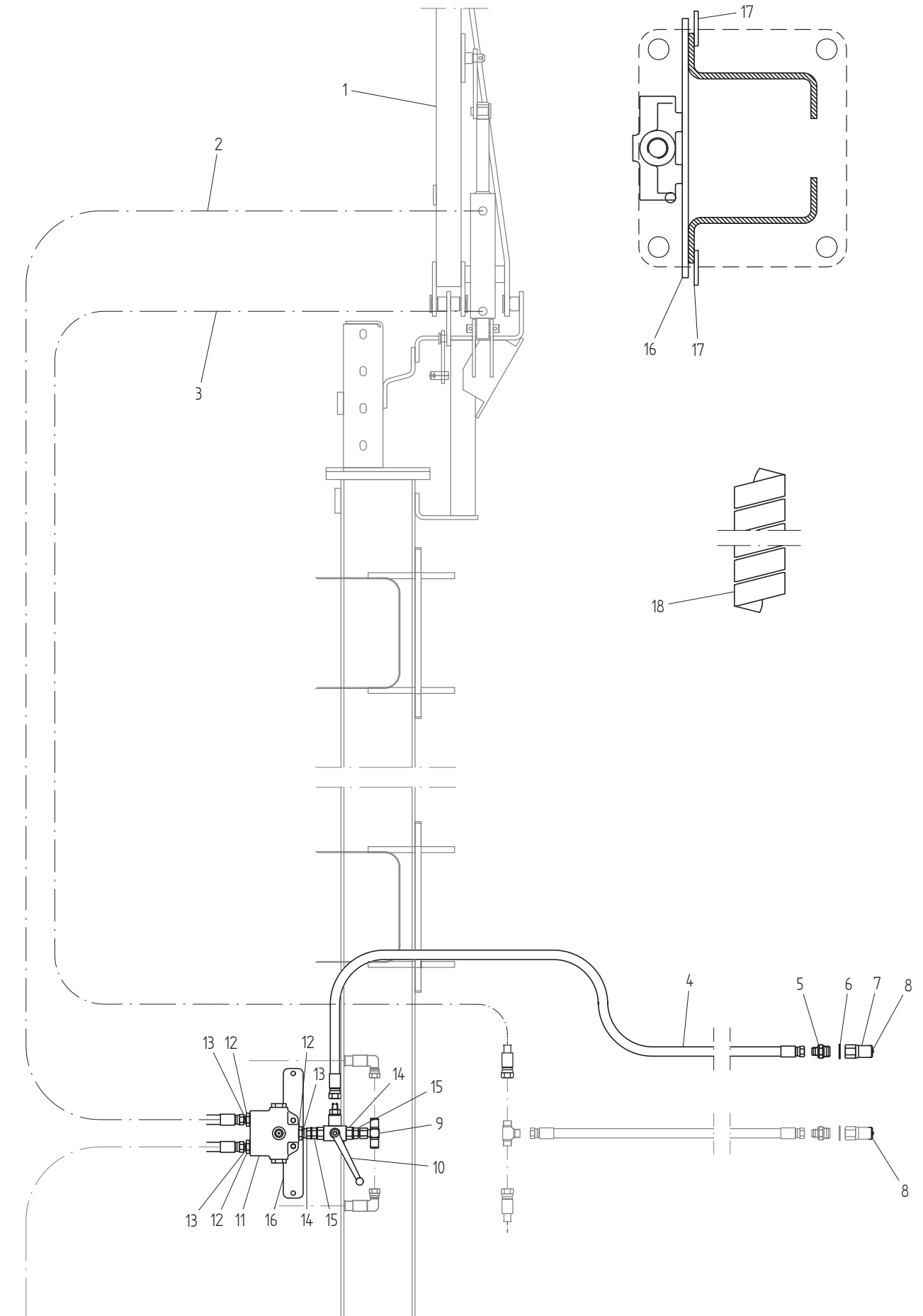


Fig. 24

3745_25

Utgave: Issue: 1		Redskap: POTETSETTER UP3745 Implement: POTATO PLANTER UP3745		Underhaug	
Dato: Date: 03-09		Enhet: Unit: HYDR. FOR MARKØR DV EKSTRA HYDR. FOR MARKER DA EXTRA			
Ref. No.	Delenr. Part nr.	Ant. Qty.	Gjenstand:	Description:	Anmerkning: Note:
1a	UH213330	1	MARKØR DV V. 4R	MARKER DA LH 4R	
1b	UH213331	1	MARKØR DV H. 4R	MARKER DA RH 4R	
2	UH218012	2	HYD.SL.1/4" 3050 I06I06-90G	HYDR. HOSE 1/4" 3050	
3	UH413289	2	HYD.SL.1/4" 2200 I06I06-90G	HYD.HOSE 1/4" 2200	
4	UH214675	1	HYD.SL.3/8" 5500 I06I06-0G	HYD.HOSE 3/8" 5500 I06I06-0G	
5	UH410747	1	ANSATS 3/8"-1/2" BSP UU	MALE ADAPTOR 3/8"-1/2"	
6	UH219669	1	PAKNINGSRING 1/2" BOND SEAL	BOND SEAL 1/2"	
7	UH313882	1	HURTIGKOPLING 1/2" HAN	QUICK RELEASE COUPLING	
8	UH410724	1	STØVBESKYTTER BLÅ	DUST CAP BLUE	
9	UH300996	1	T-KOPLING 3/8" BSP UUI	T-JUNCTION G3/8" BSP OOI	
10	UH300978	1	KULEVENTIL 3-VEIS R3/8" INNV.	VALVE R3/8" INS.	
11	UH217995	1	SEKVENSVENTIL 2 POS. 3 VEIS	SEQUENTIAL VALVE	
12	UH217996	3	ANSATS 3/8"-3/4" BSP/SAE UU	NIPPLE R3/8"-3/5" UNF	
13	UH872015	3	O-RING 15.30X2.40	O-RING 15.30X2.40	
14	UH410748	3	ANSATS 3/8"-3/8" BSP UU	ADAPTOR 3/8"-3/8"	
15	UH410746	3	PAKNINGSRING 3/8" BOND SEAL	BOND SEAL 3/8"	
16	UH212091	1	VENTILFESTE	VALVE BRACKET	
17	UH410141	2	BRIKKE Ø9-Ø35X4	WASHER D9-D35X4	
18	UH218042	4	BESKYTTELSESSPIRAL Ø28X380	PROTECTIVE HELICAL D28x380	

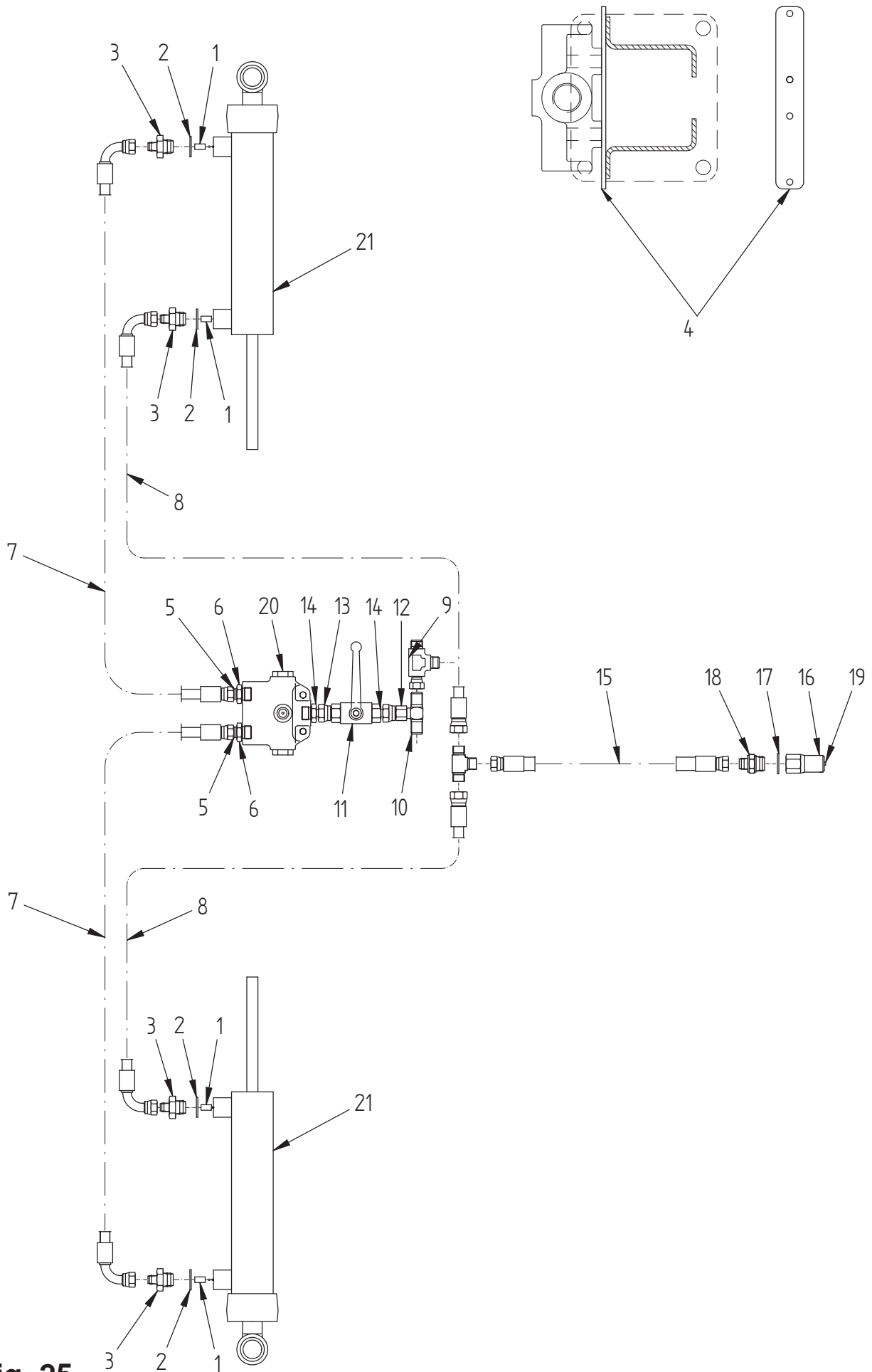


Fig. 25

3745-60-80_24

Utgave: Issue: 1		Redskap: POTETSETTER UP3760-80 Implement: POTATO PLANTER UP3760-80		Underhaug	
Dato: Date: 03-09		Enhet: Unit: HYDR. FOR MARKØR DV EKSTRA HYDR. FOR MARKER DA EXTRA			
Ref. No.	Delenr. Part nr.	Ant. Qty.	Gjenstand:	Description:	Anmerkning: Note:
1	UH300953	4	STRUPENIPPEL M8 Ø1.0 MM	RESTRICTOR M8 D1.0 MM	
2	UH219669	4	PAKNINGSRING 1/2" BOND SEAL	BOND SEAL 1/2"	
3	UH410735	4	ANSATS 1/2"-3/8" BSP UU	ADAPTOR 1/2"-3/8" 60	
4	UH212091	1	VENTILFESTE	VALVE BRACKET	
5	UH872015	3	O-RING 15.30X2.40	O-RING 15.30X2.40	
6	UH217996	3	ANSATS 3/8"-3/4" BSP/SAE UU	NIPPLE R3/8"-3/5" UNF	
7	UH322392	2	HYD.SL.1/4" 4550 I06I06-90G	HYDR. HOSE 1/4" 4550"	
8	UH218010	2	HYD.SL.1/4" 3950 I06I06-90G	HYDR. HOSE 1/4" 3900"	
9	UH411885	1	T-KOPLING 3/8" BSP IUU	T-JUNCTION 3/8" BSP IOO	
10	UH300996	1	T-KOPLING 3/8" BSP UUI	T-JUNCTION G3/8" BSP OOI	
11	UH316166	1	KULEVENTIL 3/8" INNV.	BALL VALVE 3/8" INT.	
12	UH410748	1	ANSATS 3/8"-3/8" BSP UU	ADAPTOR 3/8"-3/8" BSP UU	
13	UH410785	1	ANSATS 3/8"-3/8" BSP UI	FIRM SWIVEL 3/8" BSP	
14	UH410746	2	PAKNINGSRING 3/8" BOND SEAL	BOND SEAL 3/8"	
15	UH214675	1	HYD.SL.3/8" 5500 I06I06-0G	HYDR. HOSE 3/8" 5500" R1/2	
16	UH313882	1	HURTIGKOPLING 1/2" HAN	QUICK RELEASE COUPLING R1/2	
17	UH219669	1	PAKNINGSRING 1/2" BOND SEAL	BOND SEAL 1/2"	
18	UH410747	1	ANSATS 3/8"-1/2" BSP UU	MALE ADAPTOR 3/8"-1/2"	
19	UH410724	1	STØVBESKYTTER BLÅ	DUST CAP BLUE	
20	UH217995	1	SEKVENSVENTIL 2 POS. 3 VEIS	SEQUENTIAL VALVE	
21	UH300819	1	SYLINDER DV Ø50/28X400+215	CYLINDER DA D50/28X400+215	
*	UH300828		SYL. PAKN. SETT Ø50/Ø28	CYLINDER SEAL KIT D50/D28	

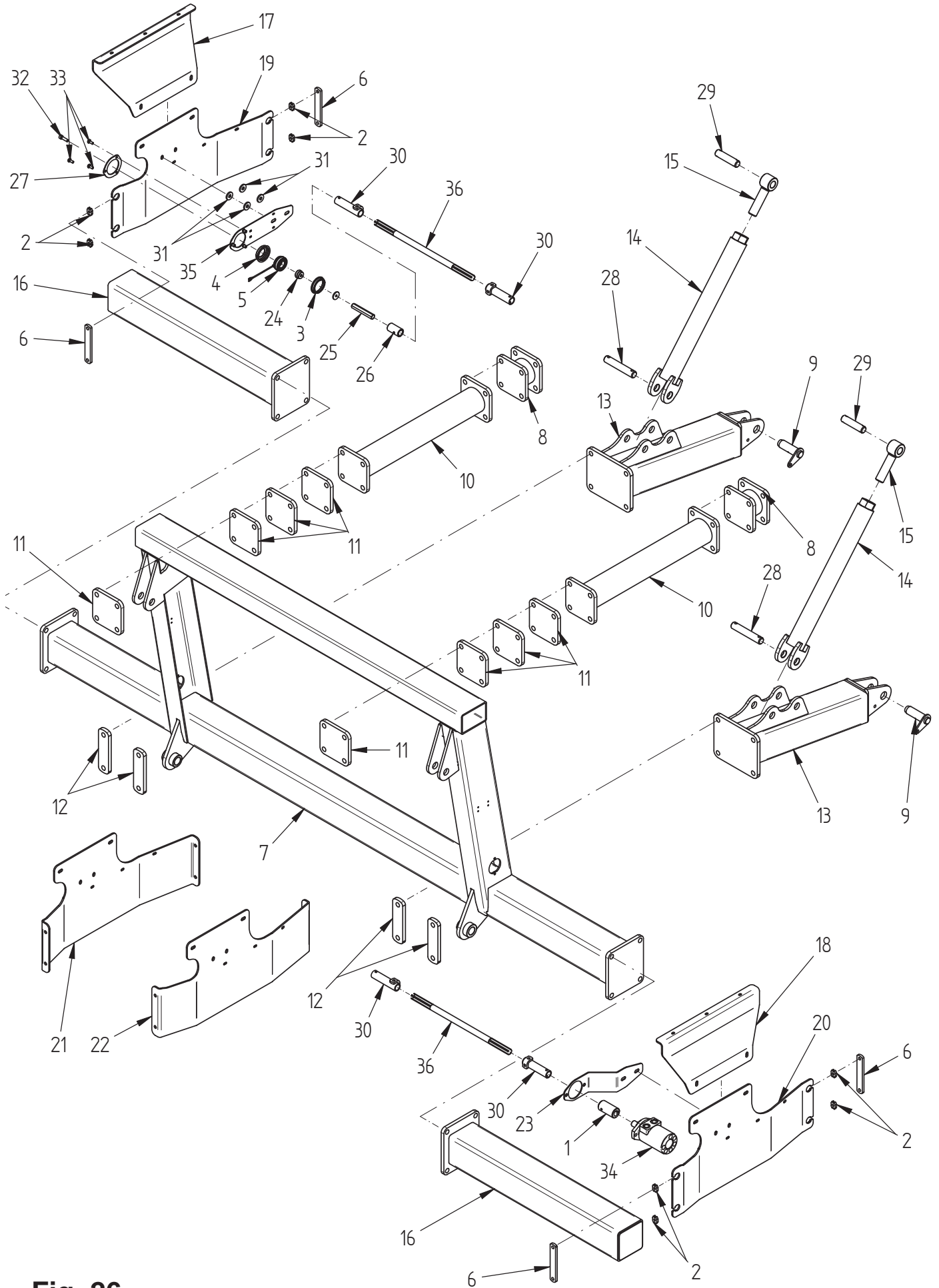


Fig. 26

3745-60_26

Utgave: 1 Issue:		Redskap: POTETSETTER UP3745-60 Implement: POTATO PLANTER UP3745-60		<h1>Underhaug</h1>	
Dato: 03-09 Date:		Enhet: RADGJØDSLER EKSTRA Unit: FERTILIZER EXTRA			
Ref. No.	Delenr. Part nr.	Ant. Qty.	Gjenstand:	Description:	Anmerkning: Note:
1	UH210308	1	DRIVHYLSE Ø25X90	DRIVE SLEEVE D25X90	
2	UH210309	8	MUTTER M12 M/STYRESPOR	NUT M12 W/GUIDE NOTCHES	
3	UH210323	1	LAGERBOSS Ø62-Ø68	BEARING HOUSING D62-D68	
4	UH210324	1	LAGERBOSS Ø62-Ø70 M/HAKK	BEARING HOUSING D62-D70 W/	
5	UH210327	1	SENSOR KULELAGER BMB 6206	SENSOR BEARING SKF BMB-	
6	UH210733	4	LASK 32X10-Ø13/163/Ø13	BRACKET 32x10-D13/163/D13	
7	UH212605	1	RAMME RADGJ. 6R SV.	FRAME 6R ROW-FERTILIZER	
8	UH212608	2	RAMMEFESTE KORT ØVRE SV.	FRAME CLAMP UPPER SHORT	
9	UH211380	2	AKSEL Ø35 SV.	SHAFT D35	
10	UH212610	2	RAMMEFESTE LANGT ØVRE SV.	FRAME CLAMP UPPER LONG	
11	UH212612	10	FLENS 4 HOL Ø21-LAKKERT	FLANGE 4 HOLES D21-PAINTED	
12	UH212614	4	LASK 60X15-Ø21/171/Ø21	CLAMP 60X16-D21/171/D21	
13	UH212615	2	RAMMEFESTE NEDRE SV.	FRAME SECTION LOWER	
14	UH212622	2	DIAGONALSTAG SV.	CROSS-STAY	
15	UH212625	2	STAGHODE Ø30 SV.	EYEBOLT D30	
16	UH212628	2	BOMFORLENGER SV.	FRAME OUTER SECTION	
17	UH212685	3	TANKSTØTTE V.	HOPPER SUPPORT LH	
18	UH212686	5	TANKSTØTTE H.	HOPPER SUPPORT RH	
19	UH212687	1	RAMMESTREVER V.	FRAME MEMBER LH	6R
20	UH212688	1	RAMMESTREVER H.	FRAME MEMBER RH	6R
21	UH207662	1	RAMMESTREVER RGJ.3745 V.	FRAME BULKHEAD 3745 LH	4R
22	UH207663	1	RAMMESTREVER RGJ.3745 H.	FRAME BULKHEAD 3745 RH	4R
23	UH212689	1	MOTORFESTE	MOTOR BRACKET	
24	UH212691	1	BØSSING Ø8,5X20-Ø30/10	BUSHING D8,5X20-D30/10	
25	UH212692	1	AKSEL 6KT. 19X120	SHAFT HEX.19X120	
26	UH212693	1	HYLSE Ø25/6KT. 19X65	SLEEVE D25/HEX.19X65	
27	UH212695	1	KLEMPATE	CLAMPING RING	
28	UH214434	1	BOLT ø30-ø12/140/ø12	PIN D30-D12/125/12	
29	UH217271	2	BOLT Ø30-Ø12/100/Ø12	BOLT D30-D12/100/D12	
30	UH218241	4	DRIVAKSELHYLSE Ø25X140 SV.	DRIVE SHAFT SOCKET D25X140	
31	UH228577	6	BRIKKE Ø13.5-Ø35X5	WASHER D13.5-D35X5	
32	UH825435	1	SYL.SKR. M/6KT.HOL M10X35-12.9	CYL. SCREW M10X35	
33	UH837418	3	RUNDH.SKR.M8X20 M/KRYSSP	REC.PAN HEAD SCREW M8X20	
34	UH900509	1	OLJEMOTOR 195CCS AKSEL D25	OIL MOTOR 195CCS SHAFT Ø25	
*	UH900501		PAKN. SETT FOR MF761 MOTOR	SEAL KIT FOR MF761 MOTOR	
35	UH212690	1	SENSORFESTE M/MUTRE	SENSOR BRACKET W/NUTS	
36a	UH212715	2	DRIVAKSEL Ø25X380 80-85CM	DRIVE SHAFT D25X380	90-95CM
36b	UH212716	2	DRIVAKSEL Ø25X580 90-95CM	DRIVE SHAFT D25X580	80-85CM

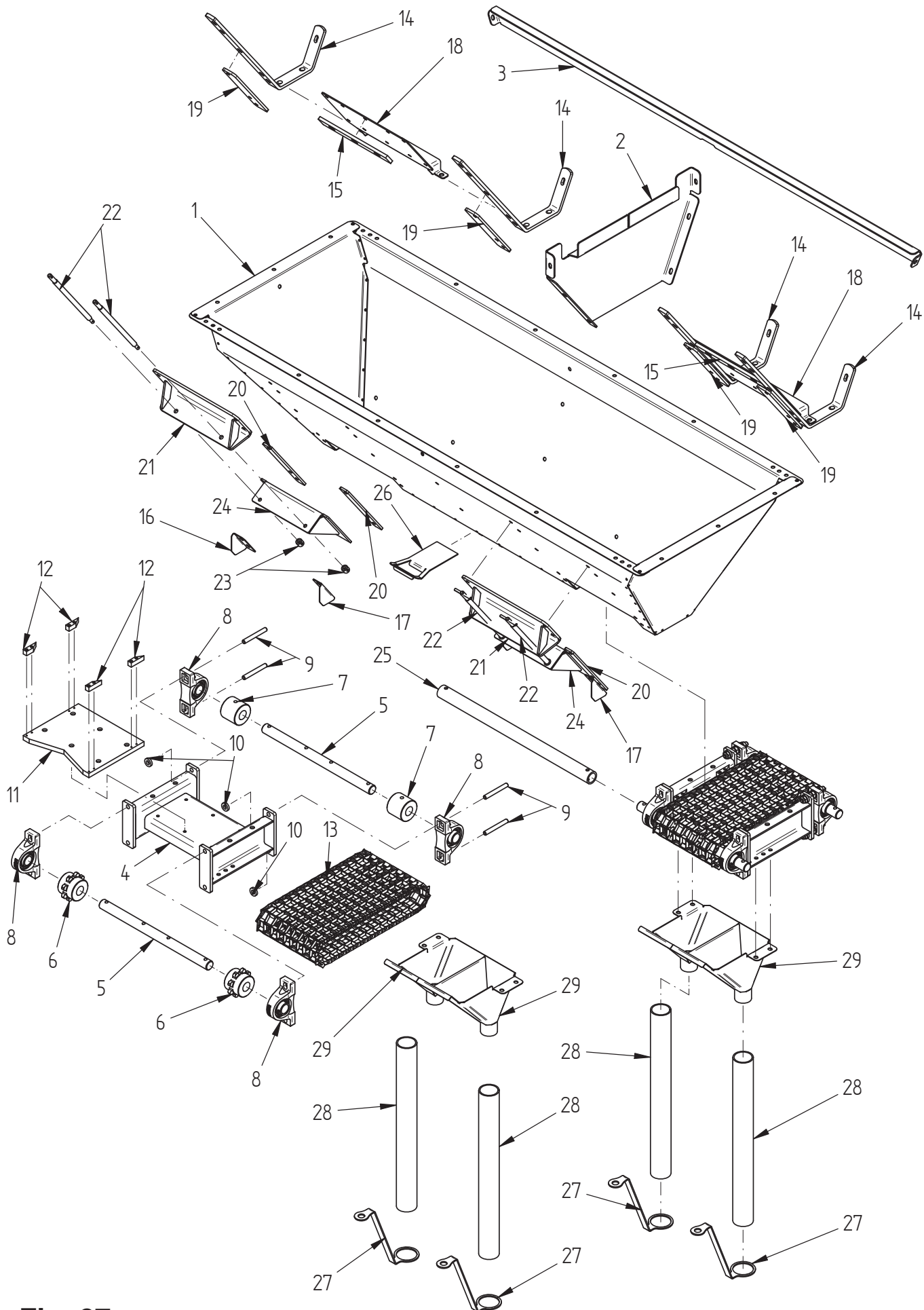


Fig. 27

Utgave: Issue:		1		Redskap: POTETSETTER UP3745-60 Implement: POTATO PLANTER UP3745-60		<h1>Underhaug</h1>
Dato: Date:		03-09		Enhet: RADGJØDSLER EKSTRA Unit: FERTILIZER EXTRA		
Ref. No.	Delenr. Part nr.	Ant. Qty.	Gjenstand:	Description:	Anmerkning: Note:	
1	UH212651	1	RADGJØDSLER 2R ENHET	FERTILIZER 2R UNIT		
2	UH212658	1	AVSTIVER	BRACING		
3	UH212659	1	RISTSTØTTE	GRATING SUPPORT		
4	UH218155	1	GJØDSELUTMATERRAMME SV.	FERTILIZER FEEDING FRAME		
5	UH218140	2	BELTEAKSEL Ø25X380	BELT SHAFT D25X380		
6	UH218145	2	BELTEDRIVHJUL Ø57.5 8T-Ø25	DRIVE WHEEL D57.5 8T-D25		
7	UH218147	2	BELTEFRIHJUL Ø57.5-Ø25X50	BELT FREEWHEEL D57.5-D25X50		
8	UH870173	4	KULELAGER SKF SY25TF	BALL BEARING SKF-SY25TF		
9	UH218153	4	STILLSKRUE M10X80 RUSTFRI A2	ADJ. SCREW M10X80 STAIN-		
10	UH231499	4	BRIKKE Ø11-Ø22X5 ELZN	WASHER D11-D22X5		
11	UH218162	1	GLIDEPLATE PLAST	SLIDING PLATE		
12	UH218163	4	SIDESTYRING PLAST	BELT GUIDE		
13	UH218211	1	MATEBELTE 8"FW A1 1"X1"X34	FEEDING BELT 8"FW A1		
14	UH212660	4	AVSTIVER 32X8	ATTACHMENT 32X8		
15	UH218107	4	TVERRSTIVER 32X8	CROSS BRACE		
16	UH212672	2	AVVISER 3700 VENSTRE	DEFLECTOR 3700 LH		
17	UH212673	2	AVVISER 3700 HØGRE	DEFLECTOR 3700 RH		
18	UH212661	2	UTLØPSSKJERM	OUTLET COVER		
19	UH218170	4	PORTSLEIDE	GATE SLIDE		
20	UH218171	4	SIDESTYRING PLAST	GATE GUIDE. PLASTIC		
21	UH218173	2	FESTE SV.	BRACKET		
22	UH218178	4	STILLSKRUE M12X235 RUSTFRI	ADJ. SCREW M12X235		
23	UH218179	4	STOPPRING Ø8 RUSTFRI	STOP RING D8 STAINLESS		
24	UH218165	2	UTMATERPORT SV.	FERT. FEED GATE		
25	UH212717	1	DRIVHYLSE Ø25.7/Ø33.7X500	BUSHING		
26	UH215857	1	TØMMELUKE	DISCHARGE HATCH		
27	UH211142	1	SLANGESTYRING	HOSE GUIDE		
28	UH211143	1	SÅSLANGE Ø45 SPIRALFLEX 500	HOSE FOR SEEDING D45		
29	UH218415	1	UTLØPSTRAKT SV. RUSTFRI	OUTLET FUNNEL - RUSTPROOF		

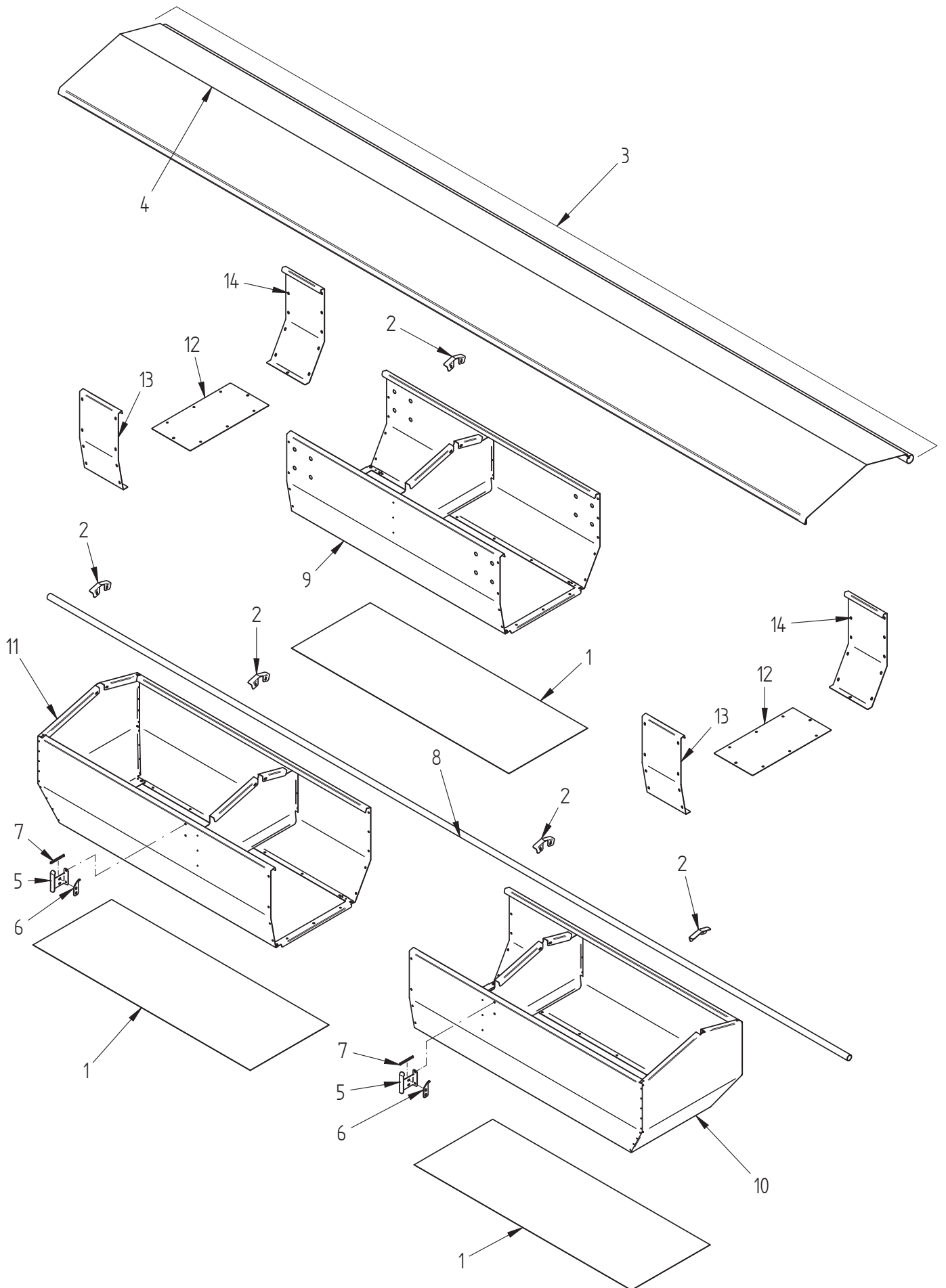


Fig. 28

Utgave: Issue: 1		Redskap: POTETSETTER UP3745-60 Implement: POTATO PLANTER UP3745-60		<h1>Underhaug</h1>	
Dato: Date: 03-09		Enhet: Unit: RADGJØDSLER EKSTRA FERTILIZER EXTRA			
Ref. No.	Delenr. Part nr.	Ant. Qty.	Gjenstand:	Description:	Anmerkning: Note:
1	UH212662	3	RIST 590X1630	GRATING 590X1630	
2	UH212670	5	MØNERØRFESTE	ROOF TUBE BRACKET	
3	UH212704	1	GJØDSELTANKDEKSEL KPL.	FERTILIZER HOPPER TOP	
4	UH212705	1	TANKDEKSELDUK L=5800	HOPPER CANVAS COVER	
5	UH212708	2	DEKSELOPPHENG	COVER BRACKET	
6	UH212709	2	FESTEKROK	LOCKING HOOK	
7	UH212710	2	KANTLIST	RIM STRIP	
8	UH322341	1	HYDR. RØR Ø35X2.3	HYDR.PIPE	
9	UH212665	1	6R TANK RADGJ. MIDTSEKSJON	6R CENTRE SECTION	6R
10a	UH212675	1	6R TANK SIDESEKSJON V.	6R LH SIDE SECTION	6R
10b	UH207655	1	4R TANK SIDESEKSJON V.	4R LH SIDE SECTION	4R
11a	UH212676	1	6R TANK SIDESEKSJON H.	6R RH SIDE SECTION	6R
11b	UH207656	1	4R TANK SIDESEKSJON H.	4R RH SIDE SECTION	4R
12a	UH212637	1	GJ.TANKSKJØT BOTN 250MM	HOPPER BOTTOM BRIDGING	90CM
12b	UH212635	1	GJ.TANKSKJØT BOTN 50MM	HOPPER BOTTOM BRIDGING	80CM
12c	UH212636	1	GJ.TANKSKJØT BOTN 150MM	HOPPER BOTTOM BRIDGING	85CM
12d	UH212638	1	GJ.TANKSKJØT BOTN 350MM	HOPPER BOTTOM BRIDGING	95CM
13a	UH212642	1	GJ.TANKSKJØT FRONT 250MM	HOPPER FRONT BRIDGING	90CM
13b	UH212640	1	GJ.TANKSKJØT FRONT 50MM	HOPPER FRONT BRIDGING	80CM
13c	UH212641	1	GJ.TANKSKJØT FRONT 150MM	HOPPER FRONT BRIDGING	85CM
13d	UH212643	1	GJ.TANKSKJØT FRONT 350MM	HOPPER FRONT BRIDGIN	95CM
14a	UH212647	1	GJ.TANKSKJØT BAKRE 250MM	HOPPER REAR BRIDGING	90CM
14b	UH212645	1	GJ.TANKSKJØT BAKRE 50MM	HOPPER REAR BRIDGING	80CM
14c	UH212646	1	GJ.TANKSKJØT BAKRE 150MM	HOPPER REAR BRIDGING	85CM
14d	UH212648	1	GJ.TANKSKJØT BAKRE 350MM	HOPPER REAR BRIDGING	90CM

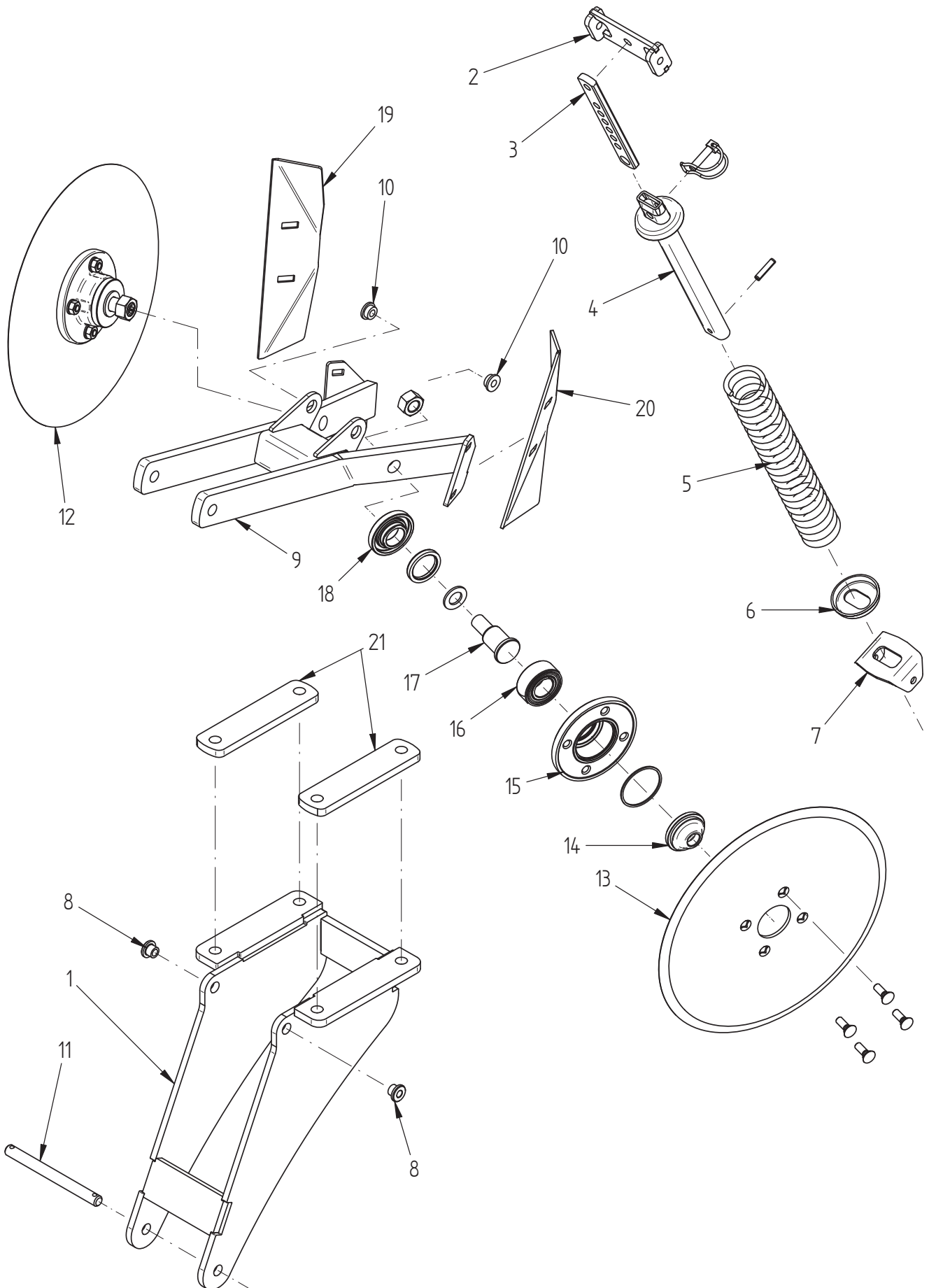


Fig. 29

Utgave: Issue: 1		Redskap: POTETSETTER UP3745-60-80 Implement: POTATO PLANTER UP3745-60-80		<h1>Underhaug</h1>	
Dato: Date: 03-09		Enhet: Unit: RADGJØDSLER EKSTRA FERTILIZER EXTRA			
Ref. No.	Delenr. Part nr.	Ant. Qty.	Gjenstand:	Description:	Anmerkning: Note:
1	UH211116	1	GJØDSELSKJÆRRAMME SV.	FERTILIZER DISK FRAME	
2	UH211121	1	FJØRFESTE SV.	BRACKET	
3	UH212077	1	REGULERSTANG	ADJUSTING ROD	
4	UH215240	1	REGULERHYLSE SV.	DISC DEPTH ADJUSTING	
5	UH223494	1	TRYKKFJØR Ø7-Ø52X370	TENSION SPRING D7-D52X370	
6	UH215241	1	SKIVE Ø23X44-Ø60 M/KOPPFORM	WASHER D23X44-D60	
7	UH211124	1	LAGERBUKK	BRACKET	
8	UH210720	2	BØSSING Ø10.4X15-Ø16/11	BUSHING D10.4X15-D16/11	
9	UH211136	1	RULLESKJÆRHOLDER SV.	DISK BRACKET	
10	UH255866	2	BØSSING Ø10.4X10-Ø19/7	WASHER D10.4X10-D19/7	
11	UH224053	1	BOLT Ø16X180-Ø6.4/164/Ø6.4	PIN D16X180-D6.4/164/D6.4	
12	UH211125-K	2	GJØDSELRULLESKJÆR M/LAGER	FERTILIZER DISK W/BEARING	
13	UH211133	1	RULLESKJÆR Ø380	DISK ROLLER Ø380	
14	UH211130	1	LOKK	COVER	
15	UH211126	1	LAGERHUS	BEARING HOUSING	
16	UH870182	1	KULELAGER 3206B06B	BALL BEARING 3206B06B	
17	UH211132	1	BOLT M/HODE Ø30-M20	HEAD BOLT	
18	UH211131	1	LAGERANSATSRING Ø30	BEARING RING D30	
19	UH223569	1	AVSKRAPER HØYRE	SCRAPER RH	
20	UH223570	1	AVSKRAPER VENSTRE	SCRAPER LH	
21	UH210048	1	LASK 50X12 - Ø17/167/Ø17	BRACKET 50X12 - D17/167/D17	