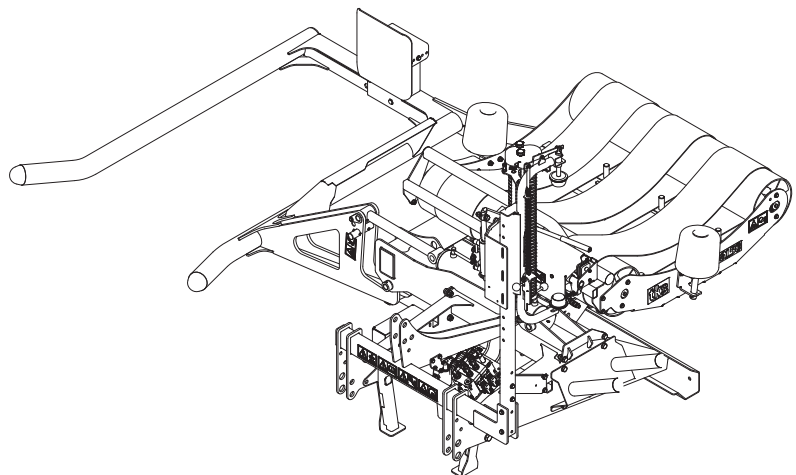
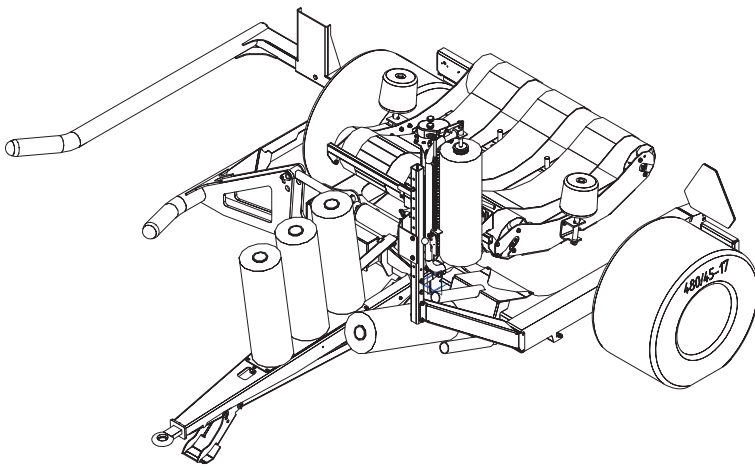


# Spare parts list

## Round Bale Wrapper

### 6150 / 6100 / 6110

UH124472





**Spare parts list  
Round Bale Wrapper  
6150 / 6100 / 6110**

**Reservedelsliste  
Rundballepakker  
6150 / 6100 / 6110**

Valid from serial no./Gyldig fra serienr.:

**Please note the following when ordering spare parts:**

It should always be referred to serial number. This is found on the identification plate.

The spare part number and description should be used.

The reference number is used only to help identifying the spare part on the illustration.

**Ved bestilling av deler må en merke seg følgende:**

Oppgi alltid serienummer. Dette står på identifikasjonsskiltet.

Oppgi delenummer og benevnelse.

Referansenummeret brukes bare for å sammenholde deletegning og betegnelse i lista og skal derfor ikke oppgis.

Supplied by:





<b>Innhold</b>	<b>Content</b>	<b>Fig.</b>	<b>Side/Page</b>
RAMME OG DRAG	FRAME AND DRAWBAR	1	6
SVINGBORD	TURNTABLE	2	8
FILMKUTTER	APPLICUTTER	3	14
TIPPRAMME	TIP FRAME	4	16
LØFTEGAFFEL	LIFTING ARM	5	18
FORSTREKKER	FILM PRESTRETCHER	6	20
FILMSAMLER	FILM COLLECTOR	7	26
HYDRAULIKKBLOKK	HYDRAULICS	8	38
EKSTRA UTSTYR	OPTION	9	26
RAMME 3-PKT	FRAME - MOUNTED	10	30
HJELPERAMME	SUPPORT FRAME - MOUNTED	11	34

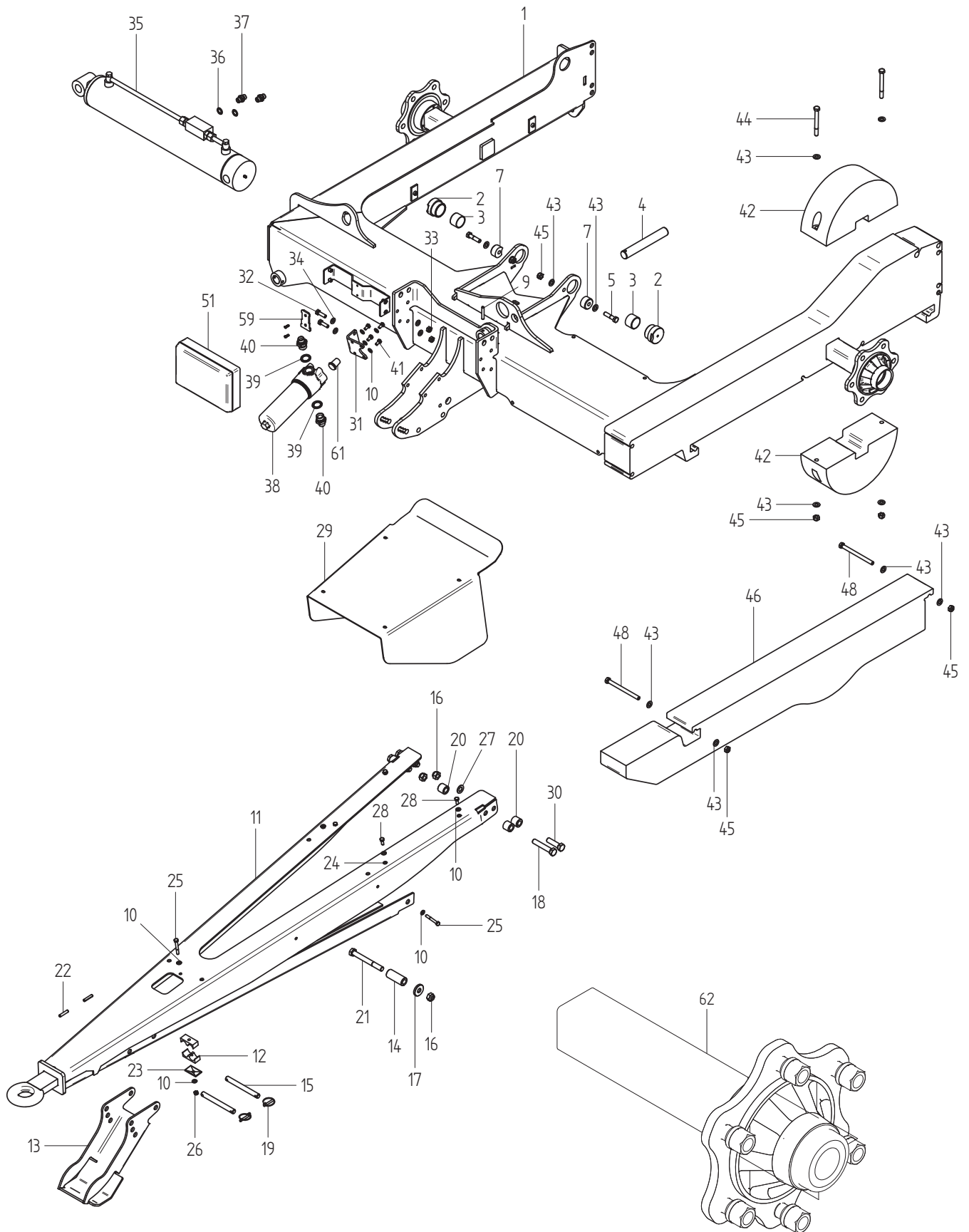


Fig. 1

6150\_01

Utgave: Issue: <b>1</b>		Redskap: Implement: <b>ROUND BALE WRAPPER 6150</b>			
Dato: Date: <b>06-11</b>		Enhet: Unit: <b>RAMME OG DRAG FRAME AND DRAWBAR</b>			
Ref. No.	Delenr. Part nr.	Ant. Qty.	Gjenstand:	Description:	Anmerkning: Note:
1	TB210120-K	1	RAMME	FRAME	
2	TB210534	2	LAGERHUS	BEARING HOUSING	
3	TB210491	2	GLIDELAGER FRIMIX TFP4044-30	SLIDE BEARING FRIMIX	
4	TB210610	1	AKSEL	SHAFT	
5	UH813650	1	6.KT.SKRUE M12X50	HEX. BOLT M12X50	
6	UH852162	1	NYLOCKMUTTER M12	NYLOCK NUT M12	
7	TB210538	2	LÅS Ø40	LOCK Ø40	
8	UH860163	1	BRIKKE Ø13-Ø24X2.5	WASHER Ø13-Ø24X2.5	
9	UH866450	1	SPENNHYLSE 8X50	TENSION PIN 8X50	
10	UH860158	12	BRIKKE Ø8.4-Ø17X1.6	WASHER Ø8.4-Ø17X1.6	
11	TB210180	1	DRAG	DRAWBAR	
12	UH320182	1	RØRKL. HALVD. Ø25 DOBBEL CF3	RØRKL. HALVD. Ø25 DOUBLE	
13	TB210185	1	PARKERINGSFOT	PARKING LEG	
14	TB210186	1	HYLSE	COLLAR	
15	TB210608	2	BOLT Ø16-Ø8/140/Ø8	BOLT Ø16-Ø8/140/Ø8	
16	UH852166	5	NYLOCKMUTTER M16	NYLOCK NUT M16	
17	UH410334	2	BRIKKE Ø17-Ø43X5 SPESIAL	WASHER D17-D43X5 SPECIAL	
18	UH813890	3	6.KT.SKRUE M16X90	HEX. BOLT M16X90	
19	UH867056	2	RINGPINNE Ø6 ELZN	RING PIN Ø6 ELZN	
20	UH410958	7	HYLSE Ø17-Ø30X26	COLLAR Ø17-Ø30X26	
21	UH813904	1	6.KT.SKRUE M16X140	HEX. BOLT M16X140	
22	UH866440	2	SPENNHYLSE Ø8X40	TENSION PIN Ø8X40	
23	UH300885	2	TOPPLATE 14-18 DOBBEL CF 2	TOP PLATE 14-18 DOUBLE CF 2	
24	UH850158	4	SEKSKANTMUTTER M8	HEXAGONAL NUT M8	
25	UH813460	2	6.KT.SKRUE M8X60	HEX. BOLT M8X60	
26	UH852158	2	NYLOCKMUTTER M8	NYLOCK NUT M8	
27	UH860166	1	BRIKKE Ø17-Ø30X3	WASHER Ø17-Ø30X3	
28	UH813420	4	6.KT.SKRUE M8X20	HEX. BOLT M8X20	
29	TB210176	1	SKJERM SENTRAL	GUARD CENTRAL	
30	UH813860	1	6.KT.SKRUE M16X60	HEX. BOLT M16X60	
31	TB210155	1	FESTE TRYKKFILTER	BRACKET	
32	UH813535	2	6.KT.SKRUE M10x35	HEX. BOLT M10x35	
33	UH852160	2	NYLOCKMUTTER M10	NYLOCK NUT M10	
34	UH860160	4	BRIKKE Ø10.5-Ø21X2	WASHER Ø10.5-Ø21X2	
35	TB210612	1	SYLINDER DV Ø100/Ø50X750+500	CYLINDER DA	
36	UH410746	2	PAKNINGSRING 3/8" BOND SEAL	BOND SEAL 3/8"	
37	UH410748	2	ANSATS 3/8"-3/8" BSP UU	NIPPLE 3/8"-3/8" BSP UU	
38	UH453410	1	FILTER HYDAC MFM BNHC 95	FILTER HYDAC MFM BNHC 95	
39	UH306757	2	PAKNINGSRING 3/4" BOND SEAL	BOND SEAL 3/4"	
40	UH306756	2	ANSATS 1/2"-3/4" BSP UU	ANIPPLE 1/2"-3/4" BSP UU	
41	UH813416	4	6.KT.SKRUE M8X16	HEX. BOLT M8X16	
<b>42</b>	<b>TB210112-K</b>	<b>2</b>	<b>MOTVEKT 45KG</b>	<b>COUNTERWEIGHT 45KG</b>	<b>OPTION</b>
43	UH860163	12	BRIKKE Ø13-Ø24X2.5 DIN125	WASHER Ø13-Ø24X2.5	
44	UH813701	2	6.KT.SKRUE M12X110	HEX. BOLT M12X110	
45	UH852162	6	NYLOCKMUTTER M12	NYLOCK NUT M12	
<b>46</b>	<b>TB210140-K</b>	<b>1</b>	<b>MOTVEKT 230KG</b>	<b>COUNTERWEIGHT 230KG</b>	<b>OPTION</b>
47	UH860163	2	BRIKKE Ø13-Ø24X2.5	WASHER Ø13-Ø24X2.5	
48	UH813705	2	6.KT.SKRUE M12X150	HEX. BOLT M12X150	
49	UH852162	2	NYLOCKMUTTER M12	NYLOCK NUT M12	

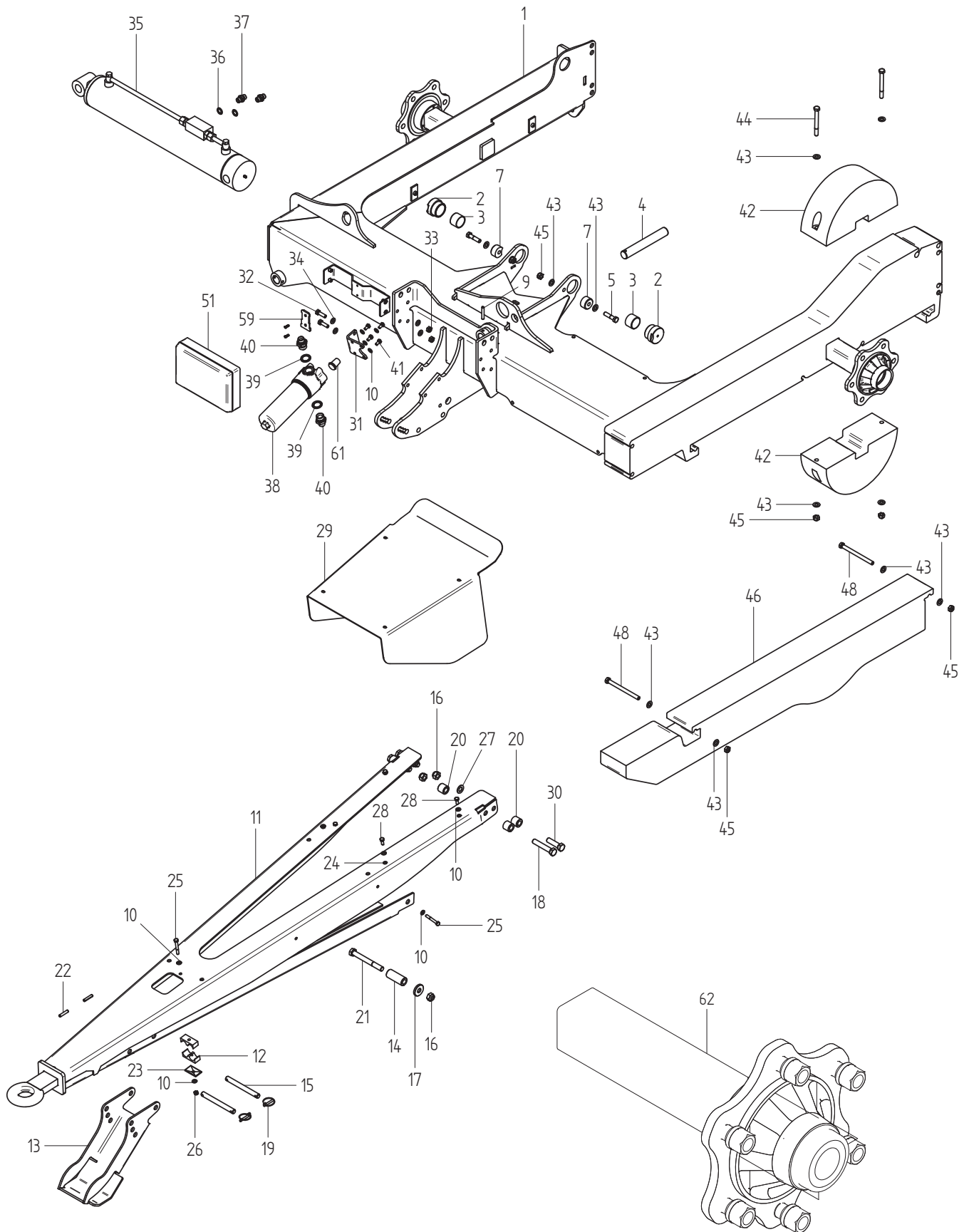



Fig. 1

6150\_01

Utgave: Issue: <b>1</b>		Redskap: Implement: <b>ROUND BALE WRAPPER 6150</b>			
Dato: Date: <b>06-11</b>		Enhet: Unit: <b>RAMME OG DRAG FRAME AND DRAWBAR</b>			
Ref. No.	Delenr. Part nr.	Ant. Qty.	Gjenstand:	Description:	Anmerkning: Note:
51	UH413013	1	SVARTBOKS KOMPL. UTEN KORT	BLACK BOX WITHOUT A CARD	
52	TB210148	1	SKJERM	GUARD	
59	UH412167	1	SKINNE	PLATE	
61	UH453412	1	FILTERINDIKATOR HYDAC	FILTER INDICATOR HYDAC	
62	TB210124	1	NAV M/6 BOLT	HUB W/6 BOLTS	

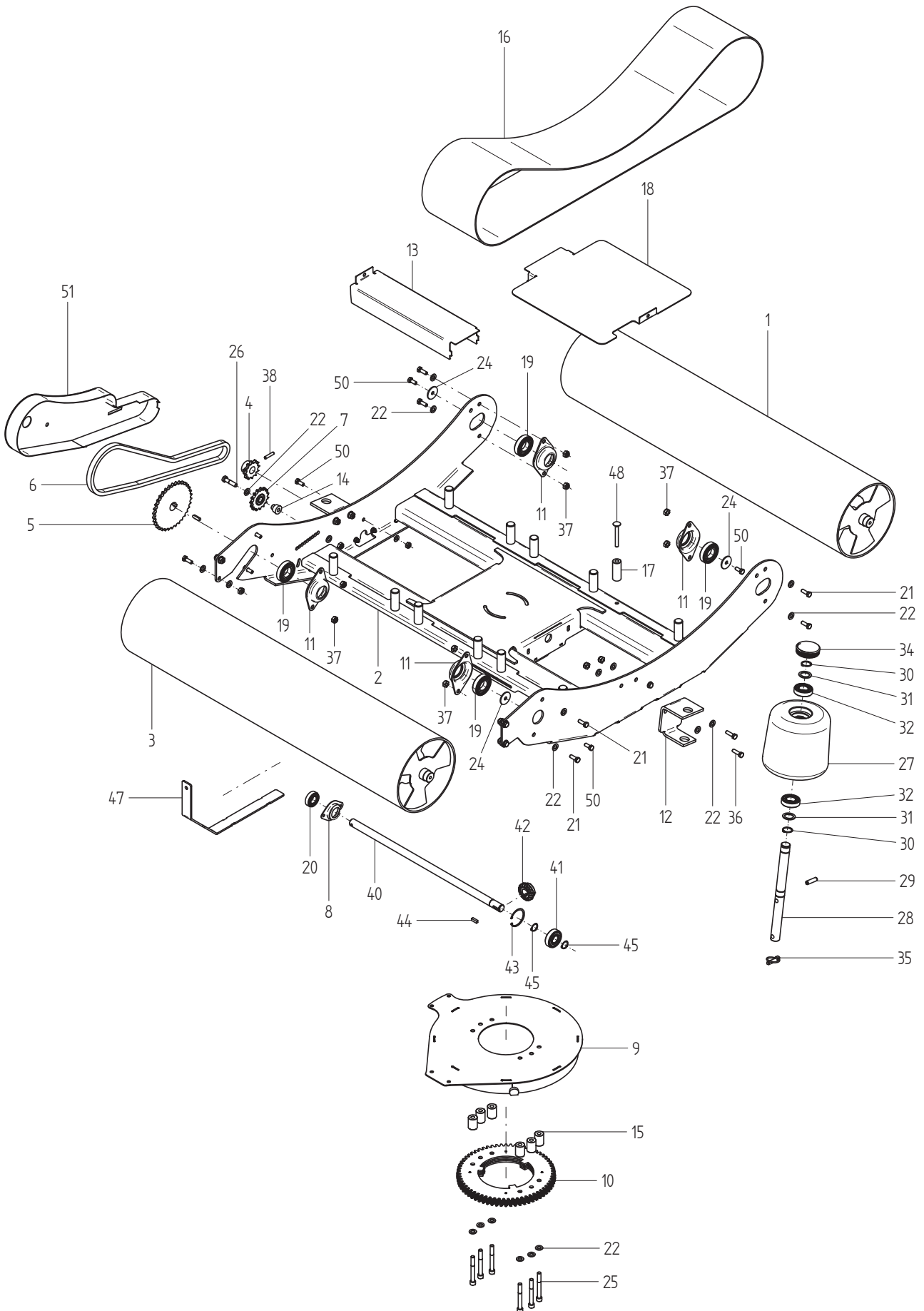


Fig. 2

Utgave: Issue: <b>1</b>		Redskap: <b>ROUND BALE WRAPPER 6150</b> Implement:			
Dato: Date: <b>06-11</b>		Enhet: Unit: <b>SVINGBORD TURNTABLE</b>			
Ref. No.	Delenn. Part nr.	Ant. Qty.	Gjenstand:	Description:	Anmerkning: Note:
1	TB210351	1	RULL	ROLLER	
2	TB210320	1	BORD	TABLE	
3	TB210350	1	RULL DREVEN	DRIVEN ROLLER	
4	TB210343	1	KJEDEHJUL 5/8" 12T	SPROCKET 5/8" 12T	
5	TB210342	1	KJEDEHJUL 5/8" 34T	SPROCKET 5/8" 34T	
6	TB210341	1	RULLEKJEDE 5/8" X 1500	CHAIN 5/8" X 1500	
7	TB210383	1	KJEDEHJUL 5/8" 15T M/LAGER	SPROCKET 5/8" 15T W/BEARING	
8	UH215101	1	LAGERHUS	BEARING HOUSING	
9	TB210335	1	DEKSEL	COVER	
10	TB210345	1	TANNHJUL 64T M5	SPROCKET 64T M5	
11	UH411648	4	LAGERHUS	BEARING HOUSING	
12	TB210363	2	BRAKETT	BRACKET	
13	TB210375	1	DEKSEL	GUARD	
14	TB210373	1	HYLSE Ø30-Ø13X15 KONISK	COLLAR Ø30-Ø13X15 CONICAL	
15	TB210384	6	HYLSE Ø12,5-Ø30X41	COLLAR Ø12,5-Ø30X41	
16	TB210386	3	BELTE 4,2X250X3100	BELTE 4,2X250X3100	
17	UH410575	12	REMSTYRING	BELT GUIDE	
18	TB210376	1	DEKSEL	GUARD	
19	UH870738	4	KULELAGER 6207-2RS	BALL BEARING 6207-2RS	
20	UH870728	1	KULELAGER 6205-2RS	BALL BEARING 6205-2RS	
21	UH813530	14	6.KT.SKRUE M10X30	HEX. BOLT M10X30	
22	UH860163	40	BRIKKE Ø13-Ø24X2,5	WASHER Ø13-Ø24X2,5	
24	UH219179	3	BRIKKE Ø11-Ø45X3	WASHER Ø11-Ø45X3	
25	UH825700	6	SYL.SKR. M/6KT.HOL M12X100	CYL.SCREW. M12X100 W/HOLE	
26	UH813650	1	6.KT.SKRUE M12X50	HEX. BOLT M12X50	
<b>27-34</b>	<b>TB210360</b>		<b>STØTTERULL KOMPL.</b>	<b>SUPPORT ROLLER ASSY</b>	
27	TB210361	1	STØTTERULL Ø220	SUPPORT ROLLER Ø220	
28	TB210362	1	AKSEL STØTTERULL	SHAFT SUPPORT ROLLER	
29	UH866645	1	SPENNHYLSE 12X45	TENSION PIN 12X45	
30	UH868430	4	LÅSERING UTV. A30X1.50	CIRCLIP OUT. A30X1.50	
31	UH868606	2	STØTTERING SS30X42X2,5	SUPPORT RING SS30X42X2,5	
32	UH870732	2	KULELAGER 6206-2RS	BALL BEARING 6206-2RS	
34	UH410230	1	ENDEPLUGG Ø80	PLUG Ø80	
35	UH867061	1	RINGPINNE Ø12	RING PIN Ø12	
36	UH813535	4	6.KT.SKRUE M10x35	HEX. BOLT M10x35	
37	UH852162	23	NYLOCKMUTTER M12	NYLOCK NUT M12	
38	TB210369	1	SKJERM	GUARD	
39	UH866440	1	SPENNHYLSE 8X40	TENSION PIN 8X40	
<b>40-45</b>	<b>TB210359</b>		<b>AKSEL MONTERT</b>	<b>SHAFT ASSY</b>	
40	TB210365	1	AKSEL	SHAFT	
41	UH870827	1	KULELAGER 6305-2RS	BALL BEARING 6305-2RS	
42	TB210523	1	BEVEL GEAR M4/16T	BEVEL GEAR M4/16T	
43	UH868562	1	LÅSERING INNV. I 62X2	CIRCLIP INS. I 62X2	
44	UH323639	1	KILE 8X7X23,5	KEY 8X7X23,5	
45	UH868425	2	LÅSERING UTV. A25X1.20	CIRCLIP OUT. A25X1.20	
46	UH410727	2	KILE A8X7X32	KEY A8X7X32	
47	TB211026	1	FESTE	BRACKET	

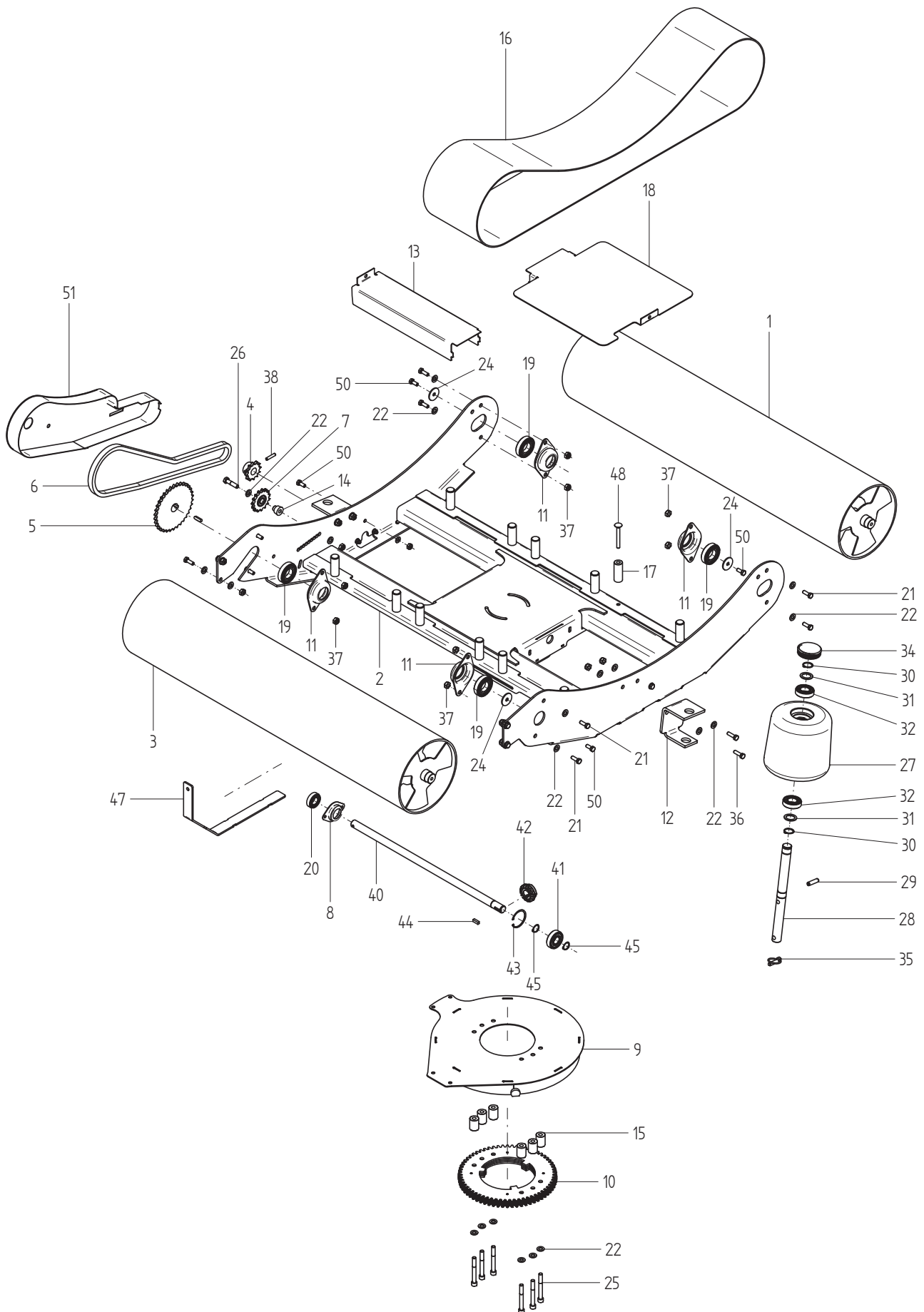

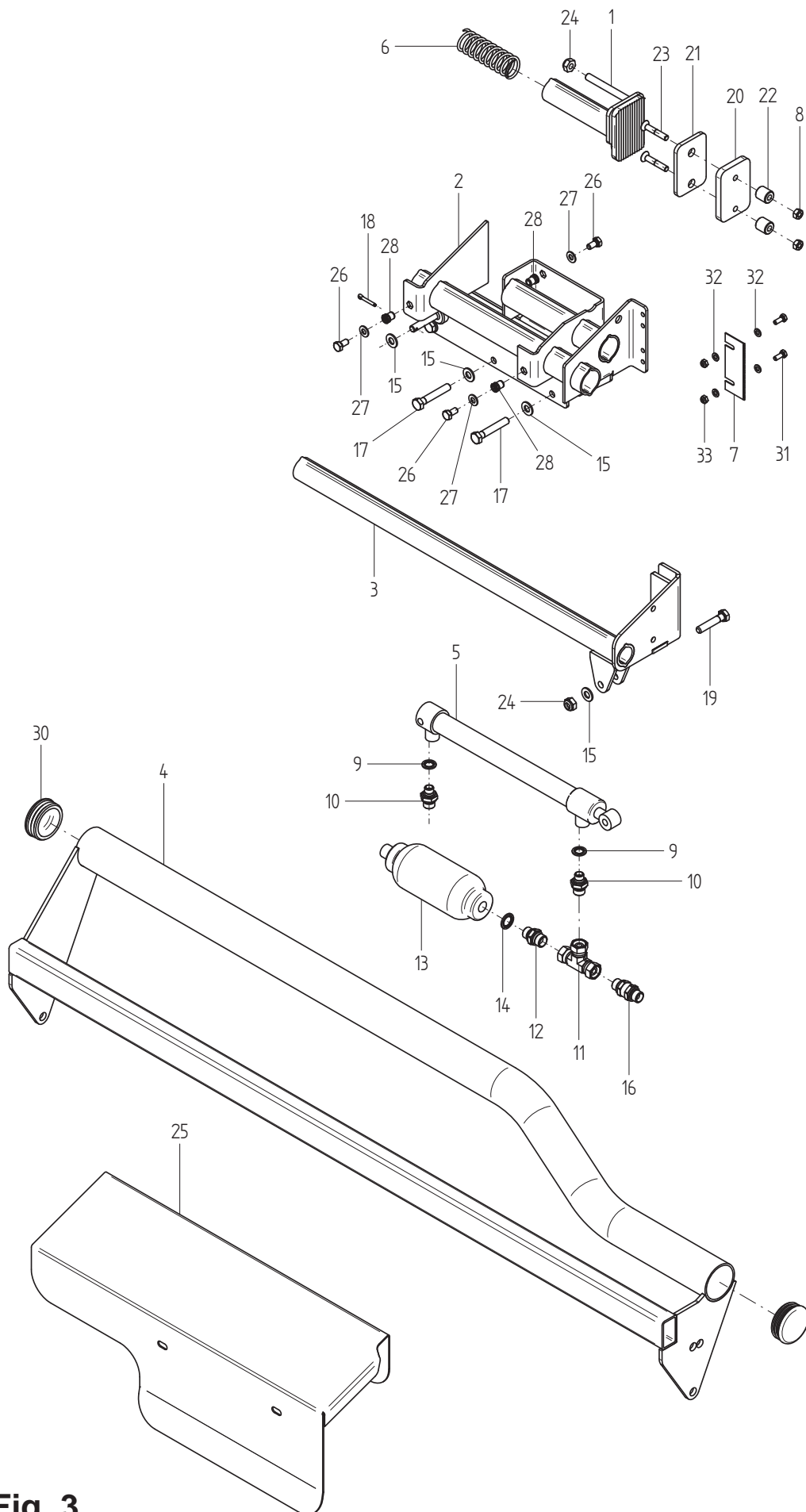


Fig. 2

Utgave: Issue: <b>1</b>		Redskap: Implement: <b>ROUND BALE WRAPPER 6150</b>			
Dato: Date: <b>06-11</b>		Enhet: Unit: <b>SVINGBORD TURNTABLE</b>			
Ref. No.	Delenr. Part nr.	Ant. Qty.	Gjenstand:	Description:	Anmerkning: Note:
48	UH821590	12	LÅSESKRUE M10x90	LOCK SCREW M10X90	
49	UH873546	1	SMØRENIPPEL M8X1.25-45GR.	GREASE NIPPLE M8X1.25-45GR.	
50	UH813525	5	6.KT.SKRUE M10X25	HEX. BOLT M10X25	
51	TB210369	1	SKJERM	GUARD	

**Fig. 3**

Utgave: Issue: <b>1</b>		Redskap: <b>ROUND BALE WRAPPER 6150</b> Implement:			
Dato: Date: <b>06-11</b>		Enhet: Unit: <b>FILMKUTTER APPLICUTTER</b>			
Ref. No.	Delenr. Part nr.	Ant. Qty.	Gjenstand:	Description:	Anmerkning: Note:
1	TB211005	1	MOTPLATE	PLATE	
2	TB211028	1	FILMHOLDER	FILM HOLDER	
3	TB211020	1	FILMSAMLEARM	FILM COLLECTOR ARM	
4	TB211030	1	BJELKE	BEAM	
5	TB211015	1	SYLINDER DV Ø25-Ø16X370+250	CYLINDER DV Ø25-Ø16X370+250	
6	TB211002	1	TRYKKFJØR Ø4-Ø32X120	SPRING Ø4-Ø32X120	
7	TB211004	1	KNIV	KNIFE	
8	UH852160	5	NYLOCKMUTTER M10	NYLOCK NUT M10	
9	UH300966	2	PAKNINGSRING 1/4" BOND SEAL	BOND SEAL 1/4"	
10	UH300972	2	ANSATS 1/4"-3/8" BSP UU	NIPPLE 1/4"-3/8" BSP UU	
11	UH300973	1	T-KOPLING 3/8" BSP III	T-COUPLING 3/8" BSP III	
12	UH300955	1	ANSATS 3/8"-M18X1.5 BSP/MM UU	NIPPLE 3/8"-M18X1.5 BSP	
13	TB211451	1	AKKUMULATOR 40BAR H350R	ACCUMULATOR 40BAR H350R	
14	UH410746	1	PAKNINGSRING 3/8" BOND SEAL	BOND SEAL 3/8"	
15	UH860160	8	BRIKKE Ø10.5-Ø21X2 DIN125	WASHER Ø10.5-Ø21X2	
16	UH411127	1	TILBAKESLAGSVENTIL G3/8"	CHECK VALVE G3/8"	
17	UH813560	3	BOLT M10X60	BOLT M10X60	
18	UH865225	1	COTTER PIN Ø4X25	COTTER PIN Ø4X25	
19	UH813550	1	BOLT M10X50	BOLT M10X50	
20	TB211014	1	MOTHOLDPLATE 60X90X10	RETAINER PLATE 60X90X10	
21	TB211024	1	MOTHOLD GUMMI	RETAINER RUBBER	
22	TB211027	2	BØSSING Ø8,5X20-Ø20	BUSHING Ø8,5X20-Ø20	
23	UH827245	2	SENKSKRUE M/6KT.HOL M8X45	COUNTERSUNK M8X45	
24	UH850158	2	6.KT.MUTTER M8	HEXAGONAL NUT M8	
25	TB211040	1	SKJERM FILMKUTTER	GUARD APPLICUTTER	
26	UH813416	3	6.KT.SKRUE M8X16	HEX. BOLT M8X16	
27	UH860158	3	BRIKKE Ø8.4-Ø17X1.6	WASHER Ø8.4-Ø17X1.6	
28	UH862108	3	BLINDMUTTER M8	BLIND NUT M8	
30	UH911266	2	ENDEPLUGG Ø60	PLUG Ø60	
31	UH813316	2	6.KT.SKRUE M6X16	HEX. BOLT M6X16	
32	UH860156	4	BRIKKE Ø6.6-Ø12X1.5	WASHER Ø6.6-Ø12X1.5	
33	UH852156	2	NYLOCKMUTTER M6	NYLOCK NUT M6	

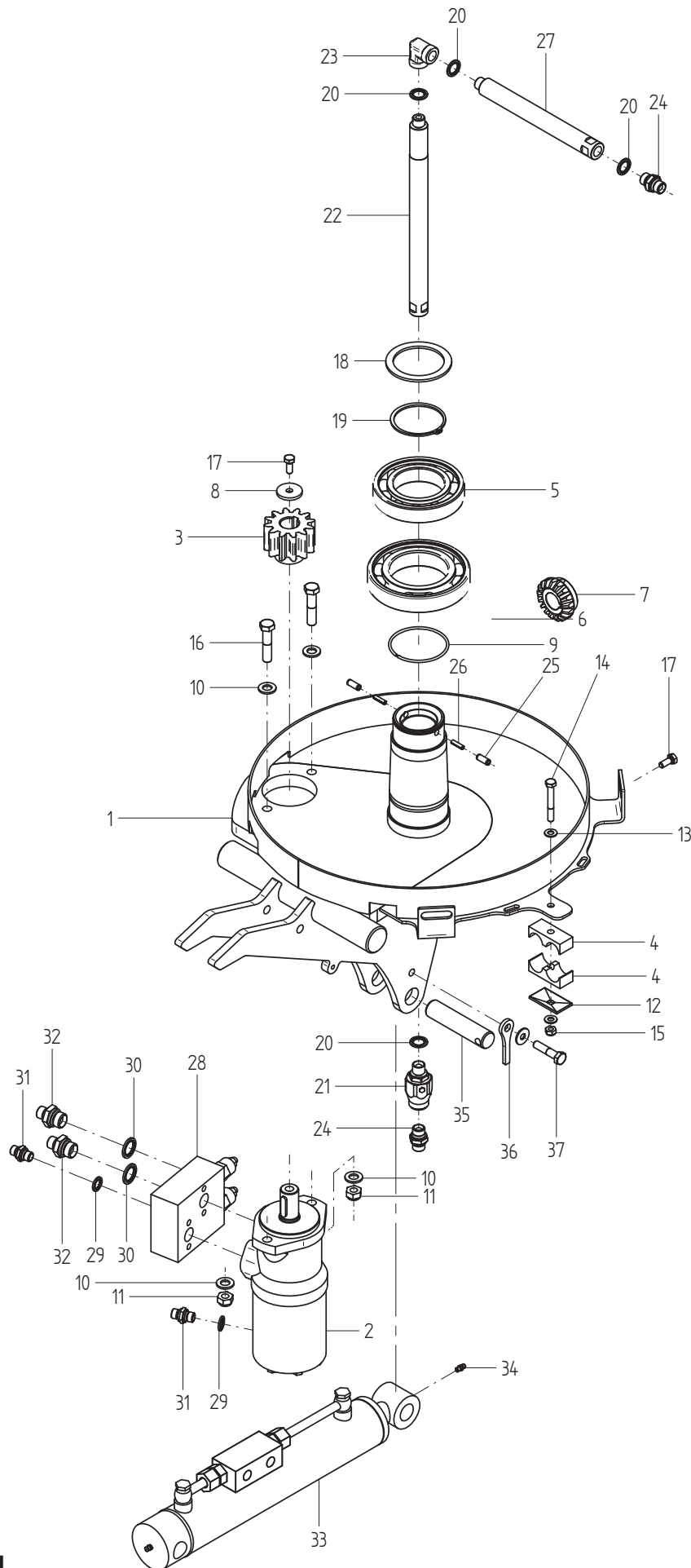


Fig. 4

Utgave: Issue: <b>1</b>		Redskap: Implement: <b>ROUND BALE WRAPPER 6150</b>			
Dato: Date: <b>06-11</b>		Enhet: Unit: <b>TIPPRAMME TIP FRAME</b>			
Ref. No.	Delenr. Part nr.	Ant. Qty.	Gjenstand:	Description:	Anmerkning: Note:
1	TB210510	1	TIPPRAMME	TIP FRAME	
2	TB211435	1	OLJEMOTOR 160CCM M/BREMS	OIL MOTOR 160CCM W/BRAKE	
3	UH414048	1	TANNHJUL M5/12T-Ø25	SPROCKET M5/12T-Ø25	
4	UH320182	2	RØRKLAMMERHALVDEL Ø25	CLAMP HALF Ø25	
5	UH870771	1	KULELAGER 6214 RS1	BALL BEARING 6214 RS1	
6	UH870780	1	KULELAGER 6216 RS1	BALL BEARING 6216 RS1	
7	TB210523	1	BEVEL GEAR M4/16T	BEVEL GEAR M4/16T	
8	UH410141	1	BRIKKE Ø9-Ø35X4	WASHER Ø9-Ø35X4	
9	UH869011	1	LÅSERING SRA A80 DT3,2 7688	LOCK RING SRA A80 DT3,	
10	UH860163	4	BRIKKE Ø13-Ø24X2.5 DIN125	WASHER Ø13-Ø24X2.5	
11	UH852162	2	NYLOCKMUTTER M12	NYLOCK NUT M12	
12	UH300885	1	TOPPLATE 14-18 DOBBEL CF 2	TOP PLATE 14-18 DOUBLE CF 2	
13	UH860158	2	BRIKKE Ø8.4-Ø17X1.6	WASHER Ø8.4-Ø17X1.6	
14	UH813460	1	6.KT.SKRUE M8X60	HEX. BOLT M8X60	
15	UH852158	1	NYLOCKMUTTER M8	NYLOCK NUT M8	
16	UH813655	2	6.KT.SKRUE M12X55	HEX. BOLT M12X55	
17	UH813420	2	6.KT.SKRUE M8X20	HEX. BOLT M8X20	
18	UH868614	1	STØTTERING SS70X90X3,5	SUPPORT RING SS70X90X3,5	
19	UH868470	1	LÅSERING UTV. A70X2,5	CIRCLIP OUT. A70X2,5	
20	UH410746	5	PAKNINGSRING 3/8"	BOND SEAL 3/8"	
21	TB210554	1	SVIVEL RETT 3/8"	SWIVEL STRAIGHT 3/8"	
22	TB210553	1	AKSEL Ø25X315X3/8"	AXLE Ø25X315X3/8"	
23	TB210550	1	ALBU 90gr 3/8 BSP II (7202-06-06)	ELBOW 90DEG. 3/8 BSP II	
24	UH410748	2	ANSATS 3/8"-3/8" BSP UU	NIPPLE 3/8"-3/8" BSP UU	
25	UH866420	2	SPENNHYLSE 8X20 DIN 1481	TENSION PIN 8X20 DIN 1481	
26	UH866270	2	SPENNHYLSE 5X20	TENSION PIN 5X20	
27	TB210552	1	AKSEL Ø25X230X3/8"	AXLE Ø25X230X3/8"	
28	TB211417	1	OVERSENTERVENTIL	COUNTER BALANCE VALVE	
29	UH300966	2	PAKNINGSRING 1/4"	BOND SEAL 1/4"	
30	UH219669	2	PAKNINGSRING 1/2"	BOND SEAL 1/2"	
31	UH300957	2	ANSATS 1/4"-1/4" BSP UU	NIPPLE 1/4"-1/4" BSP UU	
32	UH410747	2	ANSATS 3/8"-1/2" BSP UU	NIPPLE 3/8"-1/2" BSP UU	
33	TB210540	1	SYLINDER DV Ø60-Ø30X500+300	CYLINDER DA Ø60-Ø30X500+300	
34	922521	2	SMØRENIPPEL RETT M6	GREASE NIPPLE STRAIGHT M6	
35	TB210526	2	BOLT	BOLT	
36	TB210527	2	LÅS	LOCK	
37	UH813535	1	6.KT. SKRUE M10X35	HEX. BOLT M10X35	
37	UH860160	2	BRIKKE Ø10.5-Ø21X2	WASHER Ø10.5-Ø21X2	
37	UH852160	1	NYLOCKMUTTER M10	NYLOCK NUT M10	

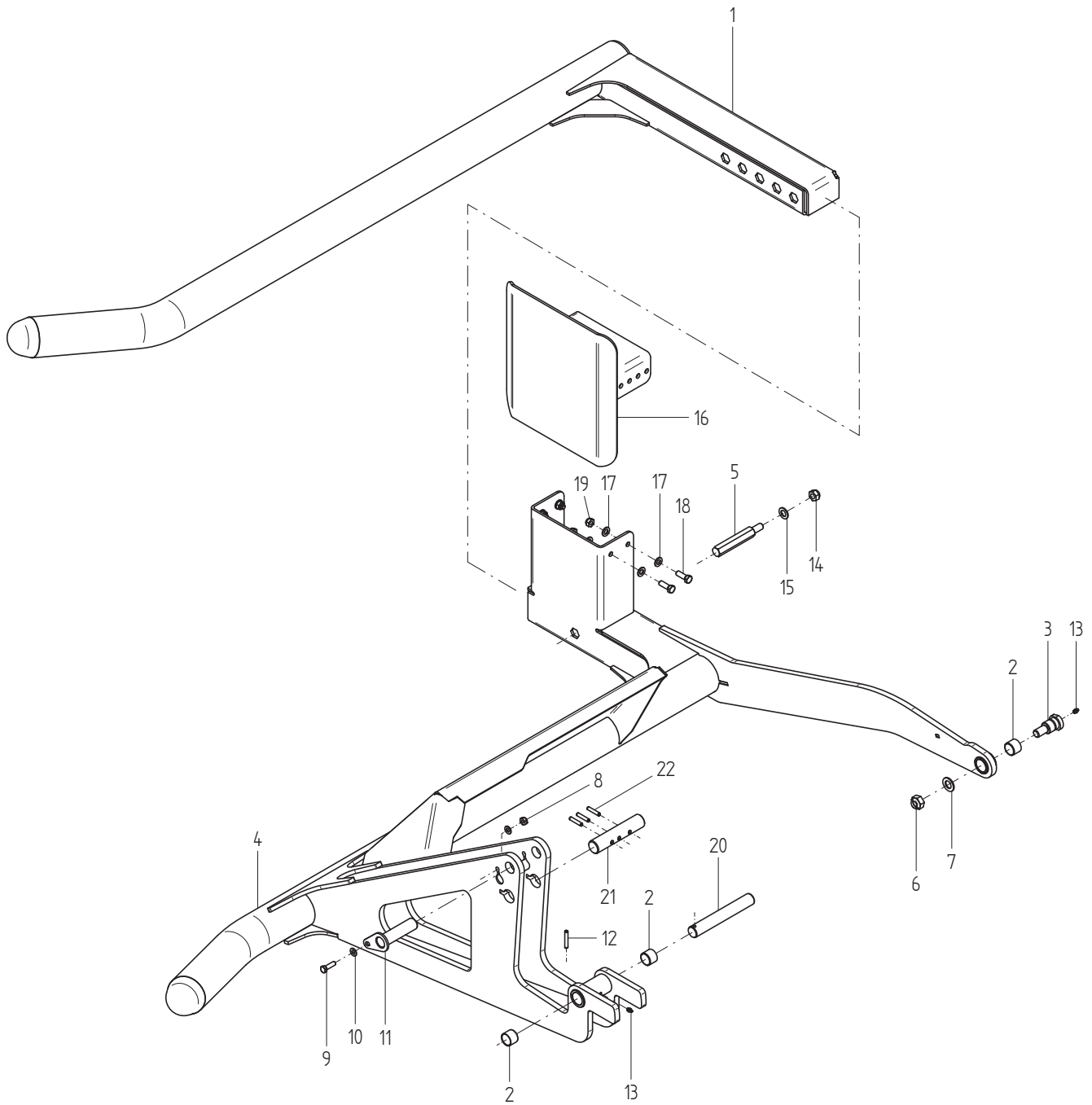



Fig. 5

6150\_05

Utgave: Issue:		1		Redskap: Implement:		ROUND BALE WRAPPER 6150					
Dato: Date:		06-11		Enhet: Unit:		LØFTEGAFFEL LIFTING ARM					
Ref. No.		Delenr. Part nr.		Ant. Qty.		Gjenstand:		Description:		Anmerkning: Note:	
1	TB210650	1	GAFFEL YTRE DEL	ARM OUTER PART							
2	TB210606	3	GLIDELAGER	SLIDE BEARING							
3	TB210640	1	AKSELTAPP	BOLT							
4	TB210620	1	LØFTEGAFFEL	LIFTING ARM							
5	TB210607	1	BOLT 6KT.24 /160/M16	BOLT 6KT.24 /160/M16							
6	UH852167	1	NYLOCKMUTTER M20	NYLOCK NUT M20							
7	UH860170	1	BRIKKE Ø21-Ø37X3	WASHER Ø21-Ø37X3							
8	UH852160	1	NYLOCKMUTTER M10	NYLOCK NUT M10							
9	UH813535	1	6.KT.SKRUE M10X35	HEX. BOLT M10X35							
10	UH860160	2	BRIKKE Ø10.5-Ø21X2	WASHER Ø10.5-Ø21X2							
11	TB210613	1	BOLT Ø30X124	BOLT Ø30X124							
12	UH866450	1	SPENNHYLSE Ø8X50	TENSION PIN Ø8X50							
13	UH873545	2	SMØRENIPPEL M8X1.25 RETT	GREASE NIPPLE M8X1.25							
14	UH852166	1	NYLOCKMUTTER M16	NYLOCK NUT M16							
15	UH860166	1	BRIKKE Ø17-Ø30X3	WASHER Ø17-Ø30X3							
16	TB210615	1	BUFFERTPLATE	PLATE							
17	UH860163	8	BRIKKE Ø13-Ø24X2.5	WASHER Ø13-Ø24X2.5							
18	UH813635	4	6.KT.SKRUE M12X35	HEX. BOLT M12X35							
19	UH852162	4	NYLOCKMUTTER M12	NYLOCK NUT M12							
20	TB210610	1	BOLT	BOLT							
<b>21-22</b>	<b>TB210604</b>		<b>LÅSEBOLT Ø35 KOMPL.</b>	<b>LOCK BOLT Ø35 ASSY</b>							
21	TB210605	1	LÅSEBOLT Ø35X150	LOCK BOLT Ø35X150							
22	UH866440	3	SPENNHYLSE Ø8X40	TENSION PIN Ø8X40							

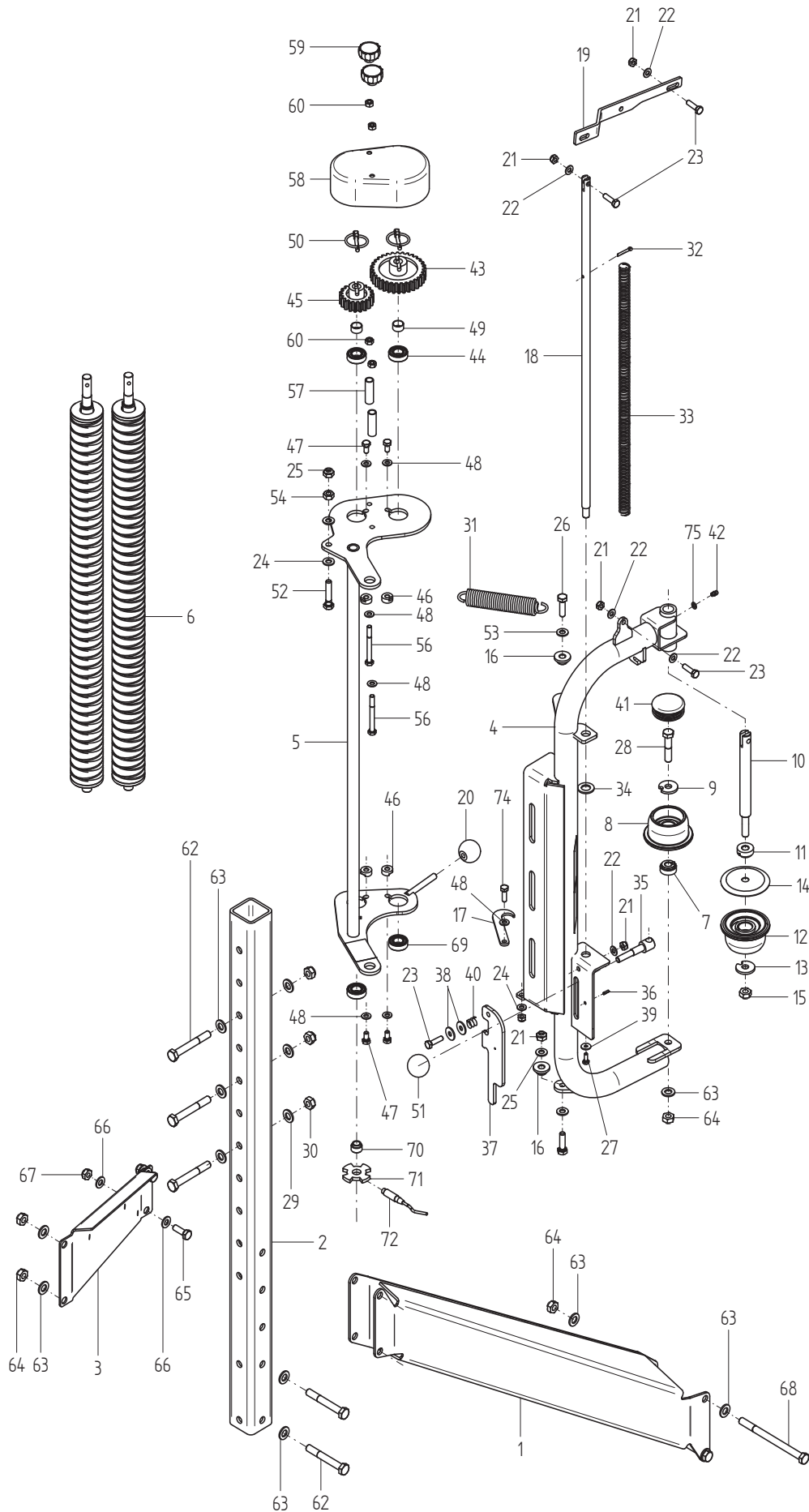


Fig. 6

Utgave: Issue:		1		Redskap: Implement:		ROUND BALE WRAPPER				
Dato: Date:		06-11		Enhet: Unit:		FORSTREKKER FILM PRESTRETCHER				
Ref. No.		Delenr. Part nr.		Ant. Qty.		Gjenstand:		Description:		Anmerkning: Note:
1	TB211199-K	1		BRAKETT		SUPPORT				
2a	TB211230-K	1		RØR SLEPT		MAST		TRAILED		
2b	TB211236	1		RØR LANGT 3-PKT		MAST		MOUNTED		
3a	TB211234	1		AVSTIVER SLEPT		SUPPORT		TRAILED		
3b	TB210273	1		AVSTIVER 3-PKT		SUPPORT		MOUNTED		
4	TB211204	1		RAMMERØR		FRAME				
<b>5-9</b>	<b>TB211214</b>			<b>RULLRAMME MONT.</b>		<b>ROLLER FRAME ASSY</b>				
5	TB211215	1		RULLRAMME		ROLLER FRAME				
6	TB211225	1		FORSTREKKERRULL		PRESTRETCHER ROLLER				
7	TB211212	1		BOSS Ø12		BOSS Ø12				
8	UH442972	1		FLENSRULL Ø74		FLANGE RING Ø74				
9	TB211213	1		BRIKKE Ø12,5/Ø35X4 M/HAKK		WASHER Ø12,5/Ø35X4 W/NICK				
<b>10-15</b>	<b>TB211240</b>			<b>RULLÅS</b>		<b>ROLLER LOCK</b>				
10	TB211235	1		AKSLING		SHAFT				
11	TB211212	1		BOSS Ø12		BOSS Ø12				
12	UH442972	1		FLENS RING Ø74		FLANGE RING Ø74				
13	TB211213	1		BRIKKE Ø12,5/Ø35X4 M/HAKK		WASHER Ø12,5/Ø35X4 W/NICK				
14	TB211209	1		DEKSEL		COVER				
15	UH852162	1		NYLOCKMUTTER M12		NYLOCK NUT M12 ELZN.				
16	TB211253	2		BOSS Ø10,5		BOSS Ø10,5				
17	TB211258	1		LÅS		LOCK				
18	TB211262	1		STANG		STANG				
19	TB211261	1		ARM		ARM				
20	UH255767	1		KULE Ø40 M10 GJ.		BALL Ø40 M10				
21	UH852158	5		NYLOCKMUTTER M8		NYLOCK NUT M8				
22	UH860158	5		BRIKKE Ø8.4-Ø17X1.6		WASHER Ø8.4-Ø17X1.6				
23	UH813430	5		6.KT.SKRUE M8X30		HEX. BOLT M8X30				
24	UH860160	4		BRIKKE Ø10.5-Ø21X2		WASHER Ø10.5-Ø21X2				
25	UH852160	2		NYLOCKMUTTER M10		NYLOCK NUT M10				
26	UH813535	2		6.KT.SKRUE M10X35		HEX. BOLT M10X35				
27	UH813316	1		6.KT.SKRUE M6X16		HEX. BOLT M6X16				
28	UH813655	1		6.KT.SKRUE M12X55		HEX. BOLT M12X55				
29	UH860163	1		BRIKKE Ø13-Ø24X2.5		WASHER Ø13-Ø24X2.5				
30	UH852162	1		NYLOCKMUTTER M12		NYLOCK NUT M12				
31	UH334540	1		STREKKFJØR Ø4-Ø26X140		spring Ø4-Ø26X140				
32	UH865225	1		SPLINT 4X25		SPLIT PIN 4X25				
33	UH400193	1		TRYKKFJØR Ø2-Ø18X530		SPRING Ø2-Ø18X530				
34	UH860166	1		BRIKKE Ø17-Ø30X3		WASHER Ø17-Ø30X3				
35	TB211263	1		TAPP Ø15 X M10		BOLT Ø15 X M10				
36	UH866162	1		SPENNHYLSE 3X12		TENSION PIN 3X12				
37	TB211271	1		LÅS		LOCK				
38	UH860159	2		BRIKKE Ø8.4-Ø24X2		WASHER Ø8.4-Ø24X2				
39	UH860155	1		BRIKKE Ø6.4-Ø18X1.5		WASHER Ø6.4-Ø18X1.5				

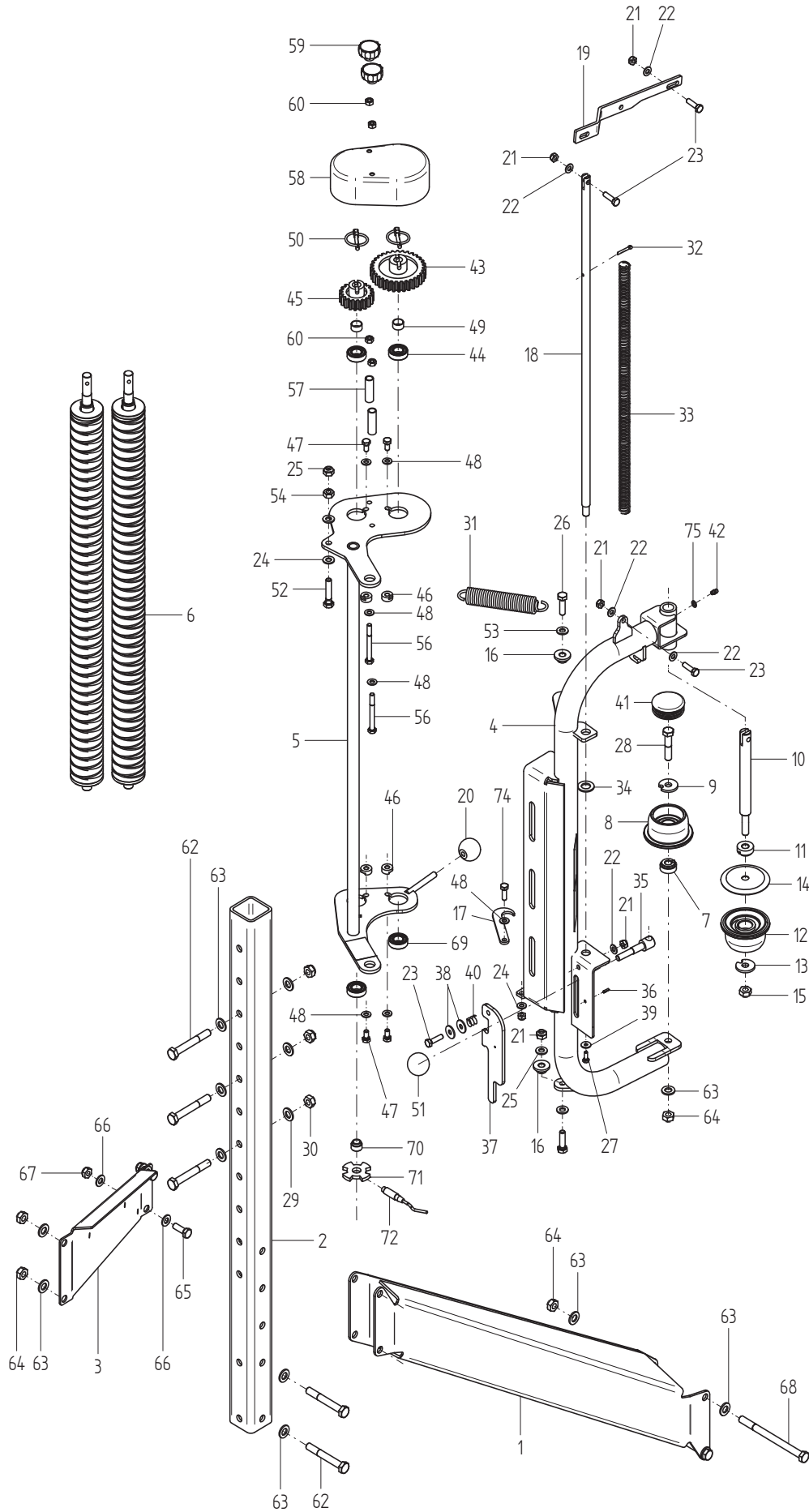
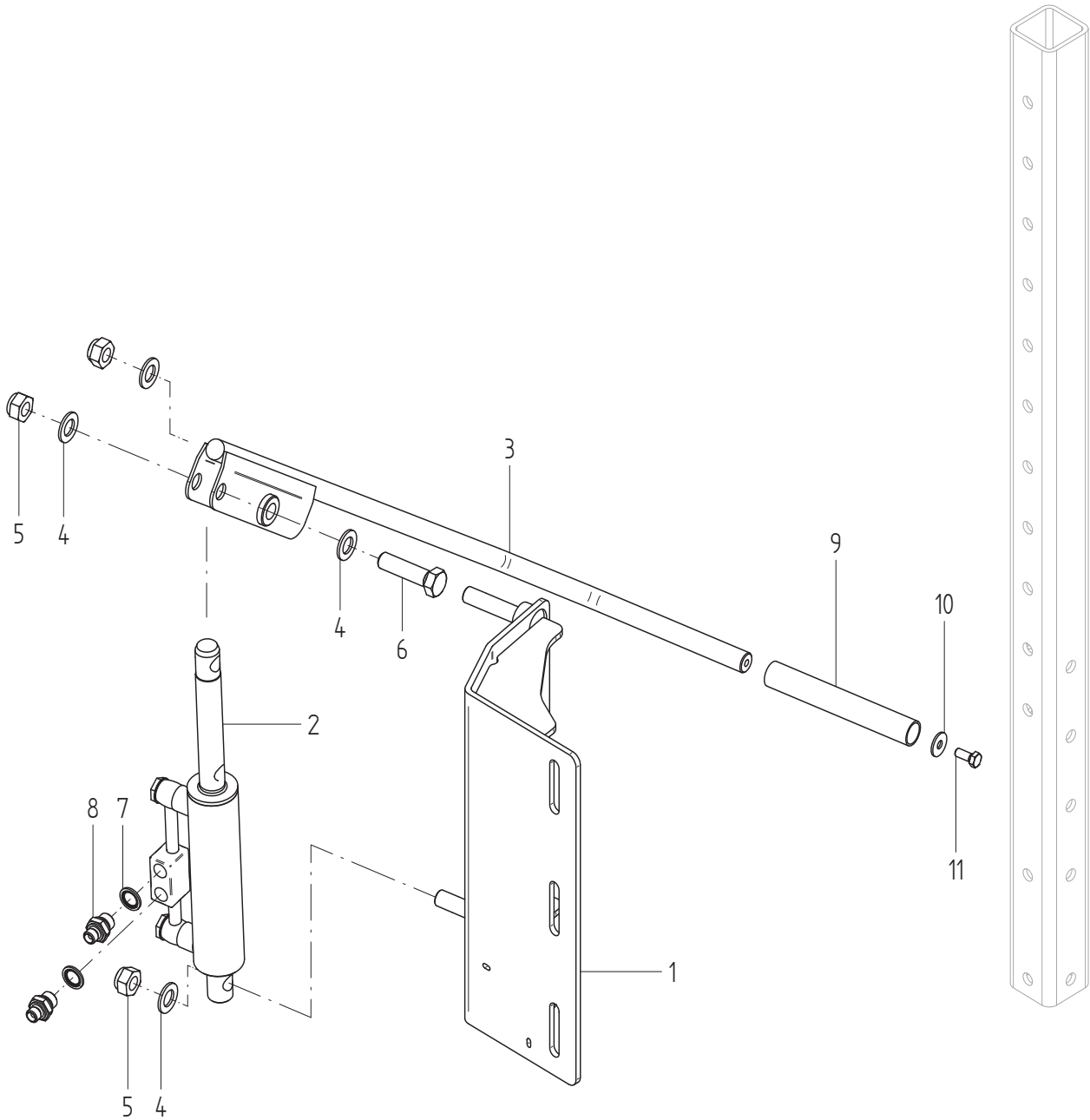



Fig. 6

Utgave: Issue:		1		Redskap: Implement:		ROUND BALE WRAPPER				
Dato: Date:		06-11		Enhet: Unit:		FORSTREKKER PRESTRETCHER				
Ref. No.		Delenr. Part nr.		Ant. Qty.		Gjenstand:		Description:		Anmerkning: Note:
40	UH400194	1	TRYKKFJØR Ø1.8-Ø13.8X18	SPRING Ø1.8-Ø13.8X18						
41	UH911266	1	ENDEPLUGG Ø60	PLUG Ø60						
42	UH873540	1	SMØRENIPPEL M6 RETT	GREASE NIPPLE M6 STRAIGHT						
43	TB211233	1	TANNHJUL M3 32T	SPROCKET M3 32T						
44	UH870617	4	KULELAGER 6003-2RS	BALL BEARING 6003-2RS						
45	TB211232	1	TANNHJUL M3 19T	SPROCKET M3 19T						
46	TB211254	4	HYLSE	COLLAR						
47	UH813416	4	6.KT.SKRUE M8X16	HEX. BOLT M8X16						
48	UH860158	2	BRIKKE Ø8.4-Ø17X1.6	WASHER Ø8.4-Ø17X1.6						
49	TB211255	2	HYLSE Ø20-Ø17,6X10	COLLAR Ø20-Ø17,6X10						
50	UH867056	2	RINGPINNE Ø6	RING PIN Ø6						
51	UH255767	1	KULE Ø40 M10 GJ.	BALL Ø40 M10 GJ.						
52	UH810550	1	6KT.SKRUE HELGJ.M10X50	HEX. BOLT THREADED.M10X50						
53	UH860160	2	BRIKKE Ø10.5-Ø21X2	WASHER Ø10.5-Ø21X2						
54	UH850160	1	6.KT. MUTTER M10	SEKSKANTMUTTER M10						
55	UH852160	1	NYLOCKMUTTER M10	NYLOCK NUT M10						
56	UH813475	2	6KT.SKRUE M8X75	HEX. BOLT M8X75						
57	TB211272	2	HYLSE Ø15X1,5X50	COLLAR Ø15X1,5X50						
58	TB211270	1	PLASTDEKSEL	PLASTIC COVER						
59	UH855378	2	STJERNERATT M8	HANDWHEEL M8						
60	UH850158	4	6.KANT MUTTER M8	HEX. NUT M8						
61	UH860159	4	BRIKKE Ø8.4-Ø24X2	WASHER Ø8.4-Ø24X2						
62	UH813690	5	6.KT.SKRUE M12X90	HEX. BOLT M12X90						
63	UH860163	14	BRIKKE Ø13-Ø24X2.5	WASHER Ø13-Ø24X2.5						
64	UH852162	7	NYLOCKMUTTER M12	NYLOCK NUT M12						
65	UH813530	2	6.KT.SKRUE M10X30	HEX. BOLT M10X30						
66	UH860160	4	BRIKKE Ø10.5-Ø21X2	WASHER Ø10.5-Ø21X2						
67	UH852160	2	NYLOCKMUTTER M10	NYLOCK NUT M10						
68	UH813706	2	6.KT.SKRUE M12X160	HEX. BOLT M12X160						
69	UH870617	4	KULELAGER 6003-2RS	BALL BEARING 6003-2RS						
	<b>TB211300</b>		<b>FILMBRUDD KOMPL.</b>	<b>FILM BREAK ASSY</b>	<b>OPTION</b>					
70	TB211228	1	HYLSE Ø20-Ø16X14	COLLAR Ø20-Ø16X14						
71	TB211227	1	SENSOR SKIVE	SENSOR WASHER						
72	TB211310	1	SENSOR M12 M/KABEL 3,0M	SENSOR M12 W/CABLE 3,0M						
73	UH860163	1	BRIKKE Ø13-Ø24X2.5	WASHER Ø13-Ø24X2.5						
73	UH813630	1	6.KT.SKRUE M12X30	HEX. BOLT M12X30						
74	UH813425	1	6.KT.SKRUE M8X25	HEX. BOLT M8X25						
75	UH860156	1	BRIKKE Ø6.6-Ø12X1.5	WASHER Ø6.6-Ø12X1.5						

**Fig. 7**

Utgave: Issue: <b>1</b>		Redskap: <b>ROUND BALE WRAPPER</b> Implement:			
Dato: Date: <b>06-11</b>		Enhet: Unit: <b>FILMSAMLER FILM COLLECTOR</b>			
Ref. No.	Delenr. Part nr.	Ant. Qty.	Gjenstand:	Description:	Anmerkning: Note:
	<b>TB211280</b>		<b>FILMSAMLER</b>	FILM COLLECTOR	
1	TB211287	1	PLATE FILMSAMLER	PLATE FILM COLLECTOR	
2	TB211295	1	SYLINDER DV Ø40/Ø25X250 +130	CYLINDER DA Ø40/Ø25X250	
3	TB211288	1	FANGARM	ARM	
4	UH860166	4	BRIKKE Ø17-Ø30X3	WASHER Ø17-Ø30X3	
5	UH852166	3	NYLOCKMUTTER M16	NYLOCK NUT M16	
6	UH813860	1	6.KT.SKRUE M16X60	HEX. BOLT M16X60	
7	UH410746	2	PAKNINGSRING 3/8"	BOND SEAL 3/8"	
8	UH300972	2	ANSATS 1/4"-3/8" BSP UU	ADAPTOR 1/4"-3/8" BSP UU	
9	TB211294	1	PLASTRØR Ø25X1,8X170	PLASTIC TUBE Ø25X1,8X170	
10	UH860159	1	BRIKKE 8-Ø8,4-Ø24X2	WASHER 8-Ø8,4-Ø24X2	
11	UH813420	1	6.KT. SKRUE M8X20	HEX. BOLT M8X20	

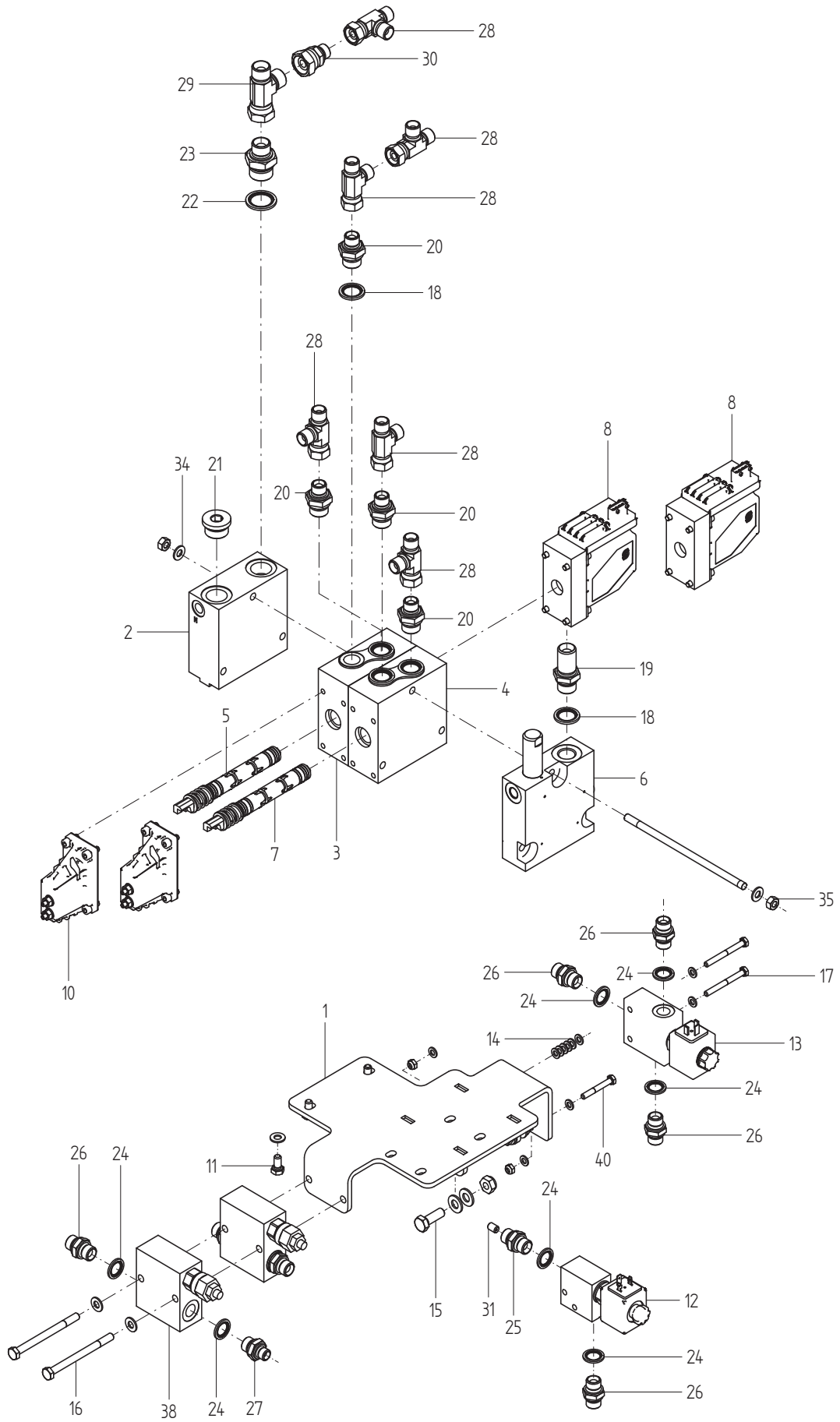



Fig. 8

Utgave: Issue:		1		Redskap: Implement:		ROUND BALE WRAPPER				
Dato: Date:		06-11		Enhet: Unit:		HYDRAULIKKBLOKK HYDRAULICS				
Ref. No.		Delenr. Part nr.		Ant. Qty.		Gjenstand:		Description:		Anmerkning: Note:
			<b>TB211406</b>				<b>HYDR. SENTRAL EL. 2 SL.</b>		<b>HYDR. CONTROL EL. 2 SL.</b>	
1			TB210153	1			FESTEPLATE		BRACKET	
2			UH442937	1			INNØPSSEKSJON		PUMP SIDE MODULE	
3			UH442921	1			VENTIL SEKSJON		OPERATING MODULE	
4			UH442922	1			VENTIL SEKSJON		OPERATING MODULE	
5			UH442926	1			SLEIDE 7100		SPOOL 7100	
6			UH442941	1			TRYKKSIRING		END MODULE	
7			UH442928	1			SLEIDE 7101		SPOOL 7101	
8			UH442934	2			EL.AKTIVERING 0/1		EL.ACTIVATING 0/1	
10			UH442920	2			SPAKHUS		LEVER HOUSING	
11			UH813416	4			6KT.SKRUE M8X16		HEX. BOLT M8X16	
12			UH294195	1			VENTIL 2/2 EL TILBAKESLAG NC		VALVE 2/2 EL.	
13			TB211418	1			VENTIL 3/2 EL. 3/8"		VALVE 3/2 EL. 3/8"	
14			UH860156	20			BRIKKE Ø6.6-Ø12X1.5		WASHER Ø6.6-Ø12X1.5	
15			UH813530	4			6KT.SKRUE M10X30		HEX. BOLT M10X30	
16			UH813500	2			6KT.SKRUE M8X100		HEX. BOLT M8X100	
17			UH813360	2			BOLT M6X60		BOLT M6X60	
18			UH219669	5			PAKNINGSRING 1/2" BOND SEAL		BOND SEAL 1/2"	
19			UH332545	1			SKOTTGJENNOMGANG 1/2" BSP		BULKHEAD COUPLING 1/2" BSP	
20			UH410747	4			ANSATS 3/8"-1/2" BSP UU		ADAPTOR 3/8"-1/2" BSP UU	
21			UH306573	1			PLUGG 3/4" BSP		PLUG 3/4" BSP	
22			UH306757	1			PAKNINGSRING 3/4"		BOND SEAL 3/4"	
23			UH306756	1			ANSATS 1/2"-3/4" BSP UU		ADAPTOR 1/2"-3/4" BSP UU	
24			UH410746	9			PAKNINGSRING 3/8"		BOND SEAL 3/8"	
25			UH411168	1			ANSATS 3/8"-3/8" BSP UU M8		ADAPTOR 3/8"-3/8" BSP UU M8	
26			UH410748	7			ANSATS 3/8"-3/8" BSP UU		ADAPTOR 3/8"-3/8" BSP UU	
27			UH300972	1			ANSATS 1/4"-3/8" BSP UU		ADAPTOR 1/4"-3/8" BSP UU	
28			UH411885	6			T-KOPLING 3/8" BSP IUU		T-COUPLING 3/8" BSP IUU	
29			UH411406	1			T-KOPLING 1/2" BSP IUU		T-COUPLING 1/2" BSP IUU	
30			UH304008	1			ANSATS 3/8"-1/2" BSP U/SV.I		ADAPTOR 3/8"-1/2" BSP U/SV.I	
31			UH410715	1			STRUPENIPPEL M8 Ø2.0		RESTICTOR M8 Ø2.0	

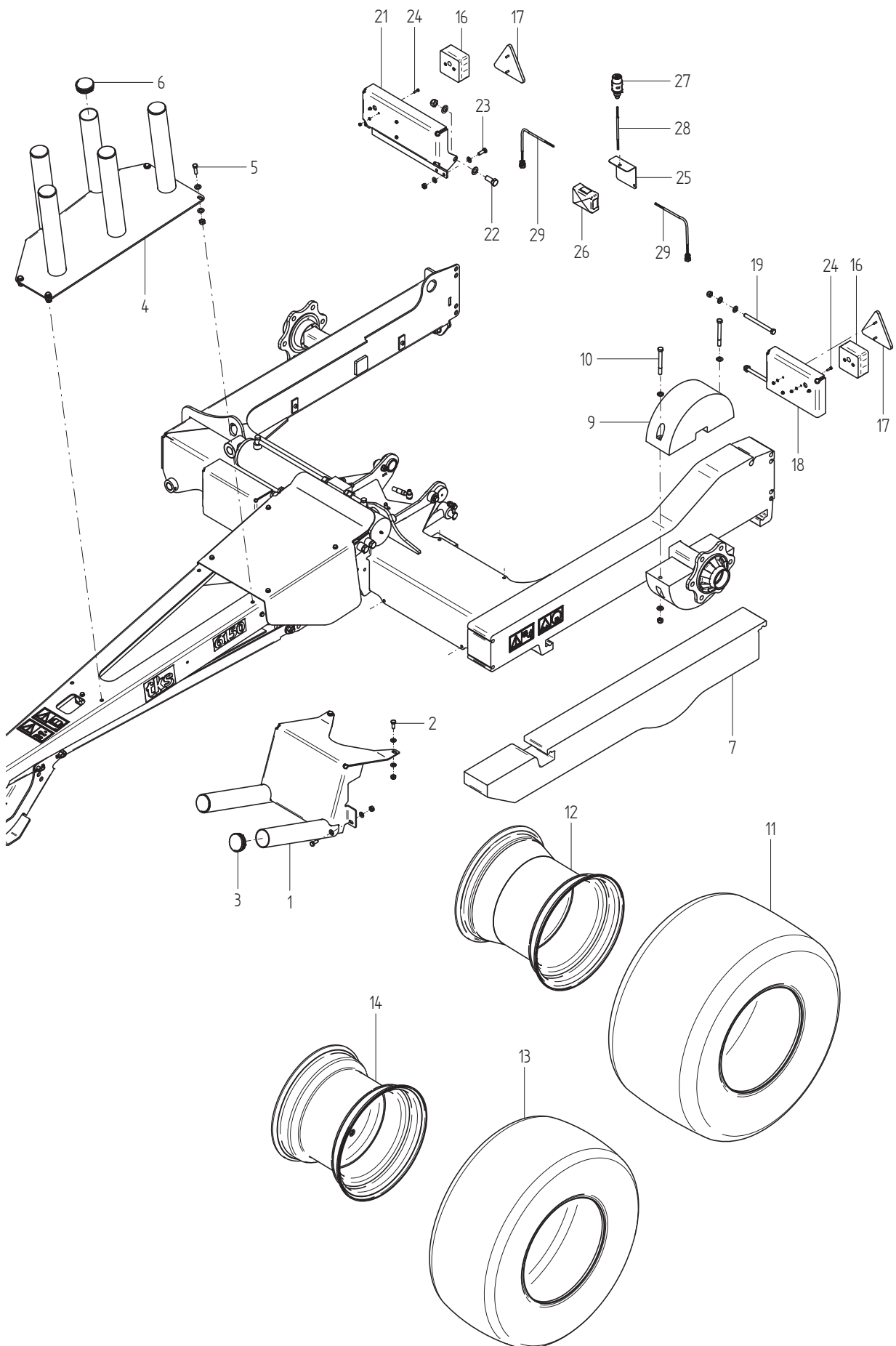



Fig. 9

Utgave: Issue:		1		Redskap: Implement:		ROUND BALE WRAPPER				
Dato: Date:		06-11		Enhet: Unit:		EKSTRA UTSTYR OPTION				
Ref. No.		Delenr. Part nr.		Ant. Qty.		Gjenstand:		Description:		Anmerkning: Note:
		<b>TB210196</b>				<b>FILMRULLMAGASIN RAMME</b>		<b>FILM ROLL MAGAZINE FRAME</b>		
1		TB210195	1	FILMRULLMAGASIN RAMME	FILM ROLL MAGAZINE FRAME					
2		UH813525	4	6.KT.SKRUE M10X25	HEX. BOLT M10X25					
2		UH860160	8	BRIKKE Ø10.5-Ø21X2	WASHER Ø10.5-Ø21X2					
2		UH852160	4	NYLOCKMUTTER M10	NYLOCK NUT M10					
3		UH911270	2	ENDEPLUGG Ø70	PLUG Ø70					
		<b>TB210191</b>				<b>FILMRULLMAGASIN DRAG</b>		<b>FILM ROLL MAGAZINE DRAWBAR</b>		
4		TB210190	1	FILMRULLMAGASIN DRAG	FILM ROLL MAGAZINE					
5		UH813635	5	6.KT.SKRUE M12X35	HEX. BOLT M12X35					
5		UH860163	5	BRIKKE Ø13-Ø24X2.5	WASHER Ø13-Ø24X2.5					
5		UH852162	5	NYLOCKMUTTER M12	NYLOCK NUT M12					
6		UH911270	5	ENDEPLUGG Ø70	PLUG Ø70					
		<b>TB210101</b>				<b>LODD 230KG KOMPL.</b>		<b>COUNTERWEIGHT 230KG ASSY</b>		
7		TB210140-K	1	LODD 230 KG	COUNTERWEIGHT 230 KG					
8		UH813705	2	6.KT.SKRUE M12X150	HEX. BOLT M12X150					
8		UH860163	4	BRIKKE Ø13-Ø24X2.5	WASHER Ø13-Ø24X2.5					
8		UH852162	2	NYLOCKMUTTER M12	NYLOCK NUT M12					
		<b>TB210102</b>				<b>LODD 90KG KOMPL.</b>		<b>COUNTERWEIGHT 90KG ASSY</b>		
9		TB210112-K	2	LODD 45KG	COUNTERWEIGHT 45KG					
10		UH813701	2	6.KT.SKRUE M12X110	HEX. BOLT M12X110					
10		UH860163	4	BRIKKE Ø13-Ø24X2.5	WASHER Ø13-Ø24X2.5					
10		UH852162	2	NYLOCKMUTTER M12	NYLOCK NUT M12					
		<b>UH442495</b>				<b>HJUL 19.0/45-17 6 HULL Ø205</b>		<b>WHEEL 19.0/45-17 6HOLES Ø205</b>		<b>ALT.1</b>
11		UH442497	2	DEKK 19.0/45-17 10 LAG	TYRE 19.0/45-17 10 LAYERS					
12		UH442496	2	FELG 16.00X17 HULL Ø205	RIM 16.00X17 HOLES Ø205					
		<b>UH401132</b>				<b>HJUL 300/80-15.3 8 LAG</b>		<b>WHEEL 300/80-15.3 8 LAYERS</b>		<b>ALT. 2</b>
13a		UH401142	2	DEKK 11.5/80-15.3.8	TYRE 11.5/80-15.3.8					
13b		UH401152	2	SLANGE 11.5/80-15.3. 8	TUBE 11.5/80-15.3. 8					
14a		UH401162	2	FELG 9.00-15.3 - SØLVGRÅ	RIM 9.00-15.3 - SILVER GREY					
		<b>UH401138</b>				<b>HJUL 400/60-15.5 10 L.</b>		<b>WHEEL 400/60-15.5 10 L</b>		<b>ALT.3</b>
13c		UH401147	2	DEKK 400-15.5	TYRE 400-15.5					
13d		UH401157	2	SLANGE 400-15.5	TUBE 400-15.5					
14b		UH401174	2	FELG 13.00-15.5 FOR 400-15.5	RIM 13.00-15.5 FOR 400-15.5					
		<b>TB211810</b>				<b>BAKLYKT V. KOMPL.</b>		<b>REAR LIGHT LH. ASSY.</b>		
16		UH443208	2	LYKT HELLA	LAMP HELLA					
17		UH443212	2	RØD REFLEKS-TREKANT	RED REFLEX - TRIANGULAR					
18		TB211816	1	PLATE V.	PLATE LH.					
19		UH813705	2	6.KT.SKRUE M12X150	HEX. BOLT M12X150					

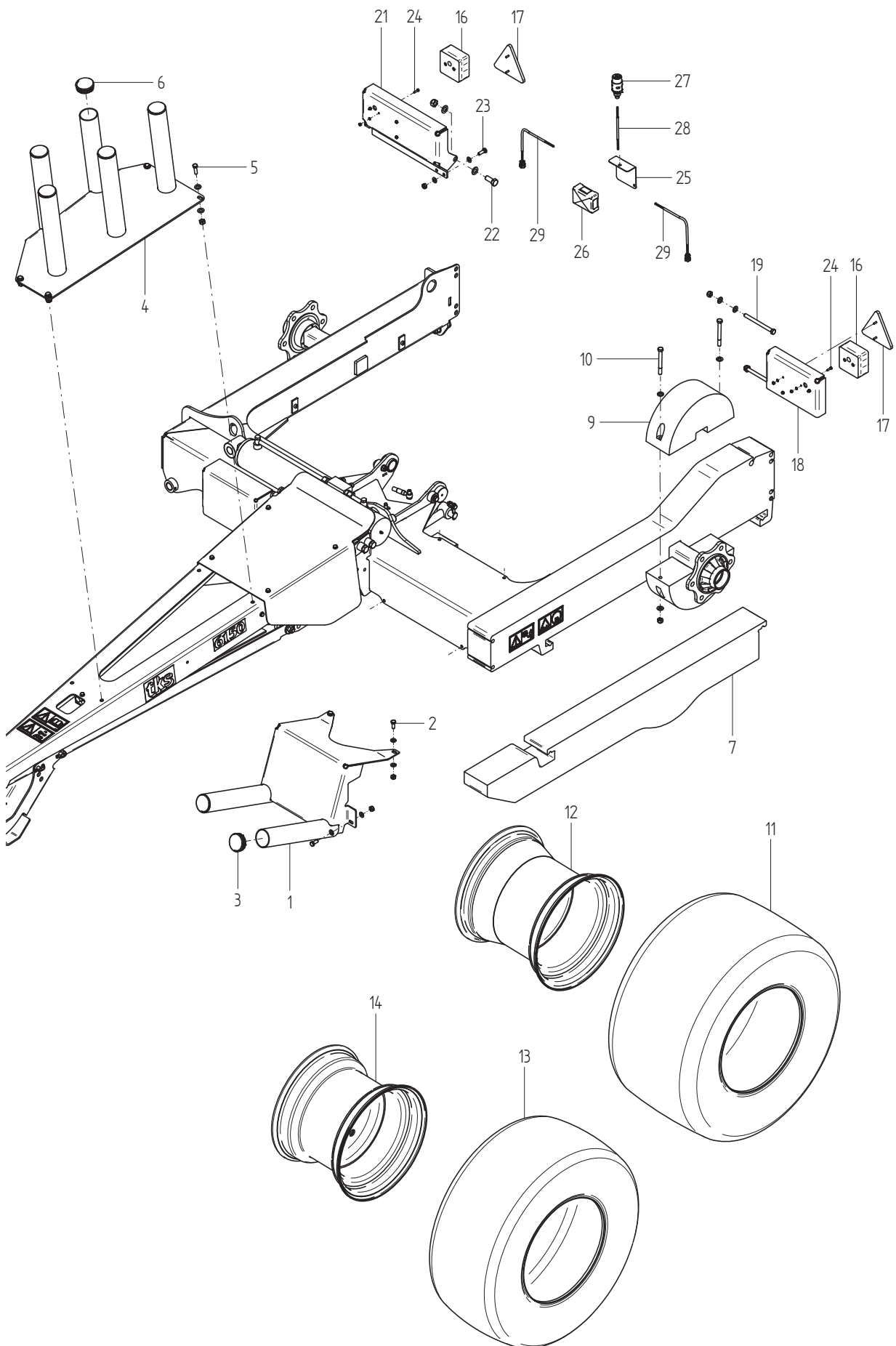


Fig. 9

Utgave: Issue:		1		Redskap: Implement:		ROUND BALE WRAPPER					
Dato: Date:		06-11		Enhet: Unit:		EKSTRA UTSTYR OPTION					
Ref. No.		Delenr. Part nr.		Ant. Qty.		Gjenstand:		Description:		Anmerkning: Note:	
19	UH860163	4	BRIKKE Ø13-Ø24X2.5	4	WASHER Ø13-Ø24X2.5						
19	UH852162	2	NYLOCKMUTTER M12	2	NYLOCK NUT M12						
20	UH813270	2	6.KT.SKRUE M5X20	2	HEX. BOLT M5X20						
20	UH860151	4	BRIKKE Ø5.5-Ø10X1	4	WASHER Ø5.5-Ø10X1						
20	UH852155	4	NYLOCKMUTTER M5	4	NYLOCK NUT M5						
21	TB211815	1	PLATE H.	1	PLATE RH						
22	UH813840	1	6.KT.SKRUE M16X40	1	HEX. BOLT M16X40						
22	UH860166	2	BRIKKE Ø17-Ø30X3	2	WASHER Ø17-Ø30X3						
22	UH852166	1	NYLOCKMUTTER M16	1	NYLOCK NUT M16						
23	UH813530	1	6.KT.SKRUE M10X3	1	HEX. BOLT M10X3						
23	UH860160	2	BRIKKE Ø10.5-Ø21X2	2	WASHER Ø10.5-Ø21X2						
23	UH852160	1	NYLOCKMUTTER M10	1	NYLOCK NUT M10						
24	UH813270	2	6.KT.SKRUE M5X20	2	HEX. BOLT M5X20						
24	UH860151	4	BRIKKE Ø5.5-Ø10X1	4	WASHER Ø5.5-Ø10X1						
24	UH852155	4	NYLOCKMUTTER M5	4	NYLOCK NUT M5						
	<b>TB211800</b>		<b>LYSUTSTYR 6150</b>		<b>LIGHT EQUIPMENT 6150</b>						
25	TB211818	1	BRAKETT	1	BRACKET						
26	UH333791	1	KOPLINGSBOKS	1	JUNCTION BOX						
27	UH216066	1	STØPSEL 7-POLET	1	PLUG 7-PINS						
28	TB211820	1	LEDNING 5-LEDER 4,0M	1	5-CONDUCTOR CABLE 4,0M						
29	TB211821	2	LEDNING 5-LEDER 2,5M	2	5-CONDUCTOR CABLE 2,5M						

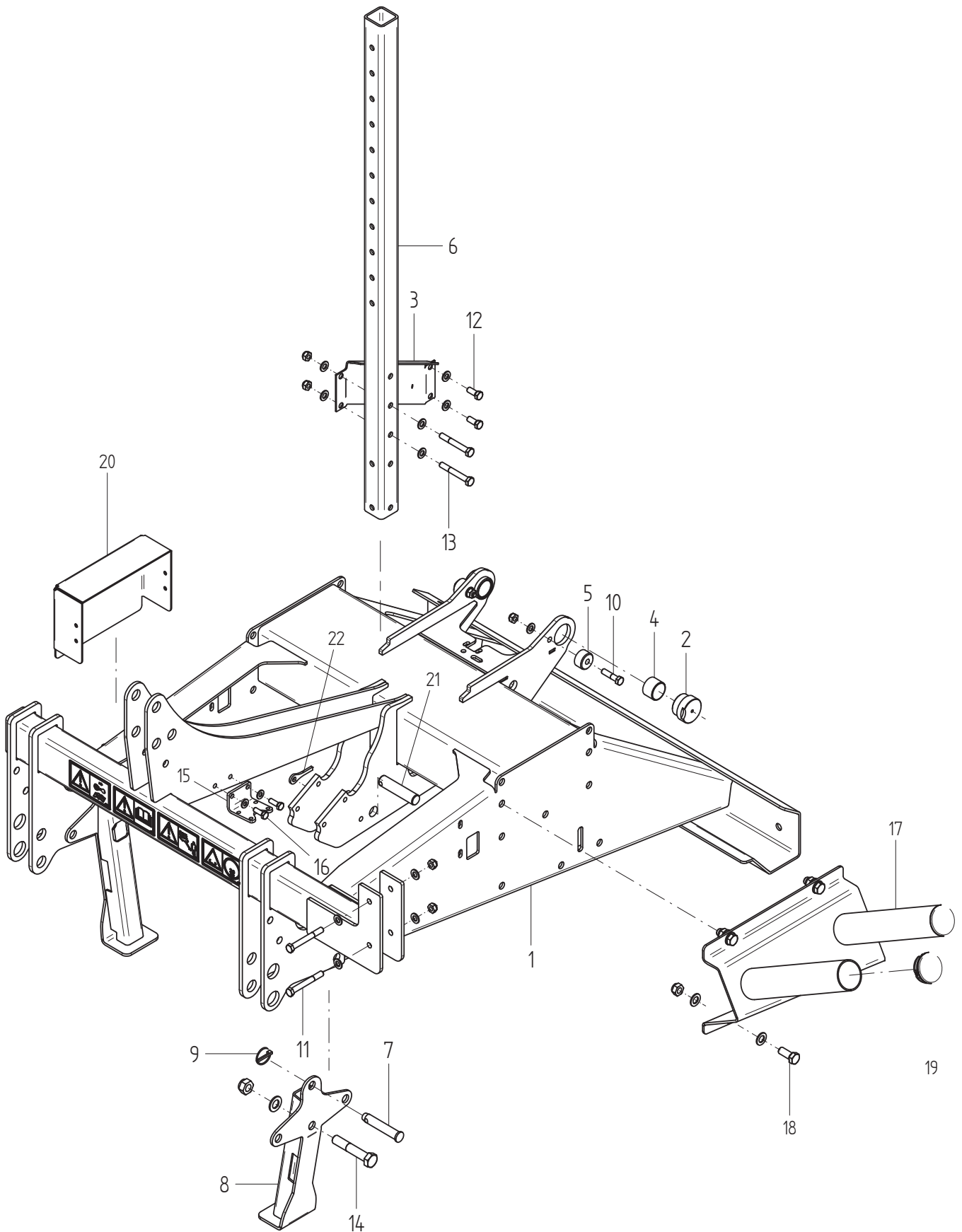


Fig. 10

6100\_01

Utgave: Issue: <b>1</b>		Redskap: Implement: <b>ROUND BALE WRAPPER 6100</b>			
Dato: Date: <b>06-11</b>		Enhet: Unit: <b>RAMME 3-PKT FRAME - MOUNTED</b>			
Ref. No.	Delenr. Part nr.	Ant. Qty.	Gjenstand:	Description:	Anmerkning: Note:
1	TB210255	1	RAMME	FRAME	
2	TB210534	2	LAGERHUS	BEARING HOUSING	
3	TB210273	1	AVSTIVER 3-PKT.	SUPPORT 3-PKT.	
4	TB210491	2	GLIDELAGER	SLIDE BEARING	
5	TB210538	1	LÅS Ø40	LOCK Ø40	
6	TB211236	1	RØR LANGT	MAST	
7	TB210279	2	BOLT Ø25-Ø20X110	BOLT Ø25-Ø20X110	
8	TB210275	2	PARKERINGFOT	PARKING LEG	
9	UH867056	2	RINGPINNE Ø6	RING PIN Ø6	
10	UH813650	2	6.KT.SKRUE M12X50	HEX. BOLT M12X50	
10	UH860163	4	BRIKKE Ø13-Ø24X2.5	WASHER Ø13-Ø24X2.5	
10	UH852162	2	NYLOCKMUTTER M12	NYLOCK NUT M12	
11	UH813700	2	6.KT.SKRUE M12X100	HEX. BOLT M12X100	
11	UH860163	4	BRIKKE Ø13-Ø24X2.5	WASHER Ø13-Ø24X2.5	
11	UH852162	2	NYLOCKMUTTER M12	NYLOCK NUT M12	
12	UH813630	2	6.KT.SKRUE M12X30	HEX. BOLT M12X30	
12	UH860163	4	BRIKKE Ø13-Ø24X2.5	WASHER Ø13-Ø24X2.5	
12	UH852162	2	NYLOCKMUTTER M12	NYLOCK NUT M12	
13	UH813690	2	6.KT.SKRUE M12X90	HEX. BOLT M12X90	
13	UH860163	4	BRIKKE Ø13-Ø24X2.5	WASHER Ø13-Ø24X2.5	
13	UH852162	2	NYLOCKMUTTER M12	NYLOCK NUT M12	
14	UH814101	2	6.KT.SKRUE M20X110	HEX. BOLT M20X110	
14	UH860170	2	BRIKKE Ø21-Ø37X3	WASHER Ø21-Ø37X3	
14	UH852167	2	NYLOCKMUTTER M20	NYLOCK NUT M20	
15	TB210155	1	FESTE TRYKKFILTER	BRACKET PRESSURE FILTER	
16	UH813530	2	6.KT.SKRUE M10X30	HEX. BOLT M10X30	
16	UH860160	4	BRIKKE Ø10.5-Ø21X2	WASHER Ø10.5-Ø21X2	
16	UH852160	2	NYLOCKMUTTER M10	NYLOCK NUT M10	
	<b>TB210222</b>		<b>FILMRULLMAGASIN 3-PKT</b>	<b>FILM ROLL MAGAZINE</b>	<b>OPTION</b>
17	TB210220	1	FILMRULLMAGASIN	<b>FILM ROLL MAGAZINE</b>	
18	UH813840	4	6.KT.SKRUE M16X40	HEX. BOLT M16X40	
18	UH860166	8	BRIKKE Ø17-Ø30X3	WASHER Ø17-Ø30X3	
18	UH852166	4	NYLOCKMUTTER M16	NYLOCK NUT M16	
19	UH911270	2	ENDEPLUGG Ø70	PLUG Ø70	
20	TB210148	1	SKJERM	GUARD	
21	TB210526	2	BOLT	BOLT	
22	TB210527	2	LÅS	LOCK	
23	UH813535	2	6KT.SKRUE M10X35	HEX. BOLT M10X35	
23	UH860160	4	BRIKKE Ø10.5-Ø21X2	WASHER Ø10.5-Ø21X2	
23	UH852160	2	NYLOCKMUTTER M10	NYLOCK NUT M10	

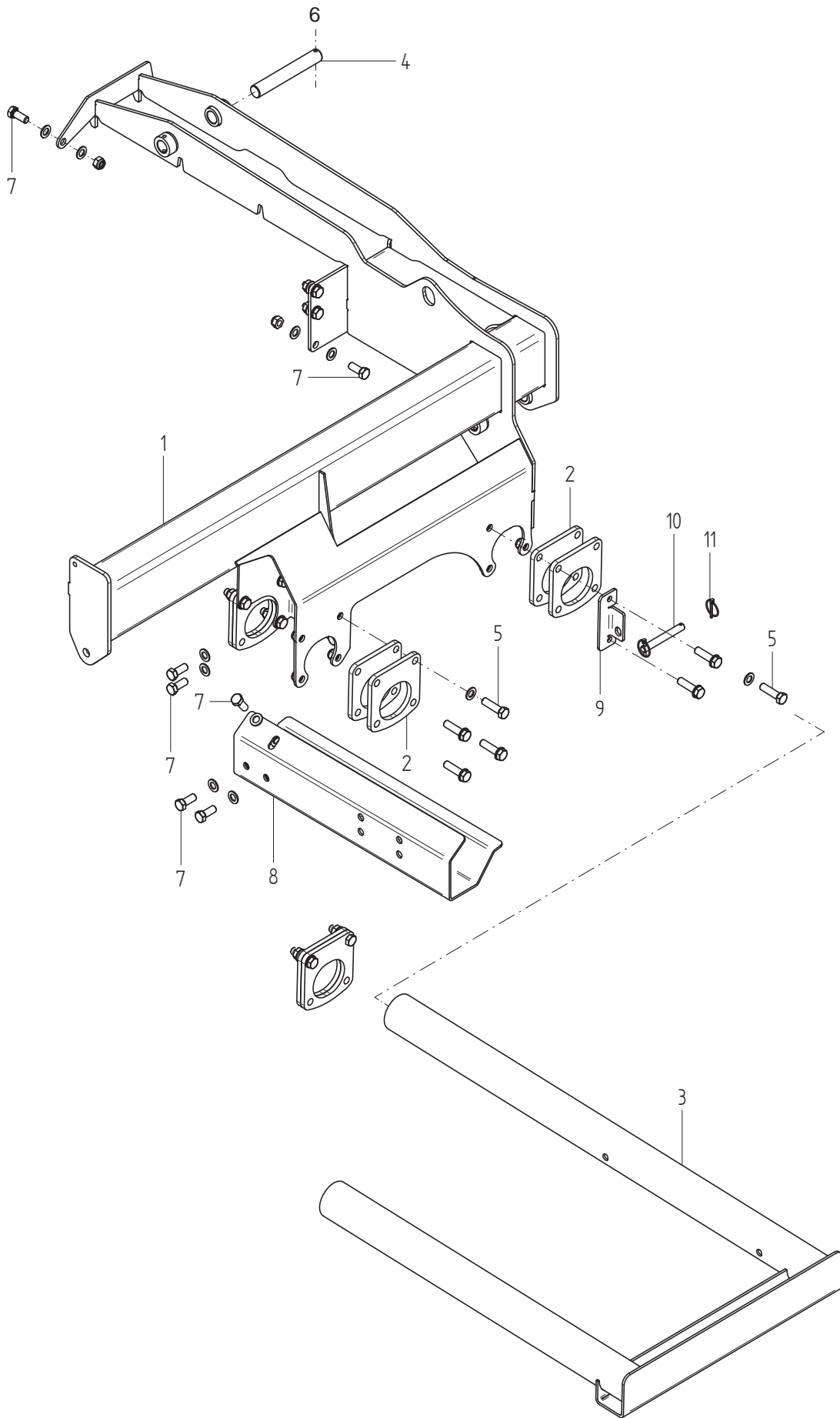



Fig. 11

Utgave: Issue: <b>1</b>		Redskap: Implement: <b>ROUND BALE WRAPPER 6100</b>			
Dato: Date: <b>06-11</b>		Enhet: Unit: <b>HJELPERAMME - 3-PKT. SUPPORT FRAME - MOUNTED</b>			
Ref. No.	Delenr. Part nr.	Ant. Qty.	Gjenstand:	Description:	Anmerkning: Note:
1	TB210705	1	HJELPERAMME	SUPPORT FRAME	
2	TB210716	8	FORING	BUSHING	
3	TB210720	1	STØTTEBØYLE	SUPPORT UNIT	
4	TB210610	1	AKSEL	AXLE	
5	UH813860	12	6KT. SKRUE M16X60	HEX. BOLT M16X60	
5	UH860166	24	BRIKKE Ø17-Ø30X3	WASHER Ø17-Ø30X3	
5	UH852166	12	NYLOCKMUTTER M16	NYLOCK NUT M16	
6	uh866450	1	SPENNHYLSE Ø8X50	TENSION PIN Ø8X50	
7	UH813840	17	6KT. SKRUE M16X40	HEX. BOLT M16X40	
7	UH860166	34	BRIKKE Ø17-Ø30X3	WASHER Ø17-Ø30X3	
7	UH852166	17	NYLOCKMUTTER M16	NYLOCK NUT M16	
8	TB210274	1	PROFIL KORT	SHORT PROFILE	
9	TB210726	1	LÅSEVINKEL	BRACKET	
10	TB210727	1	LÅSEBOLT Ø16X120	LOCKING BOLT Ø16X120	
11	UH867053	2	RINGPINNE Ø5	RING PIN Ø5	